

Cadenas Industry Forum 2011

# SIKLA – System Configurator

8<sup>th</sup> and 9<sup>th</sup> of February 2011

## The Sikla Group

- Founded in 1967
- An independent, innovative family-owned company
- 10 subsidiaries in all of Europe
- Market presence in over 35 countries worldwide by business partners

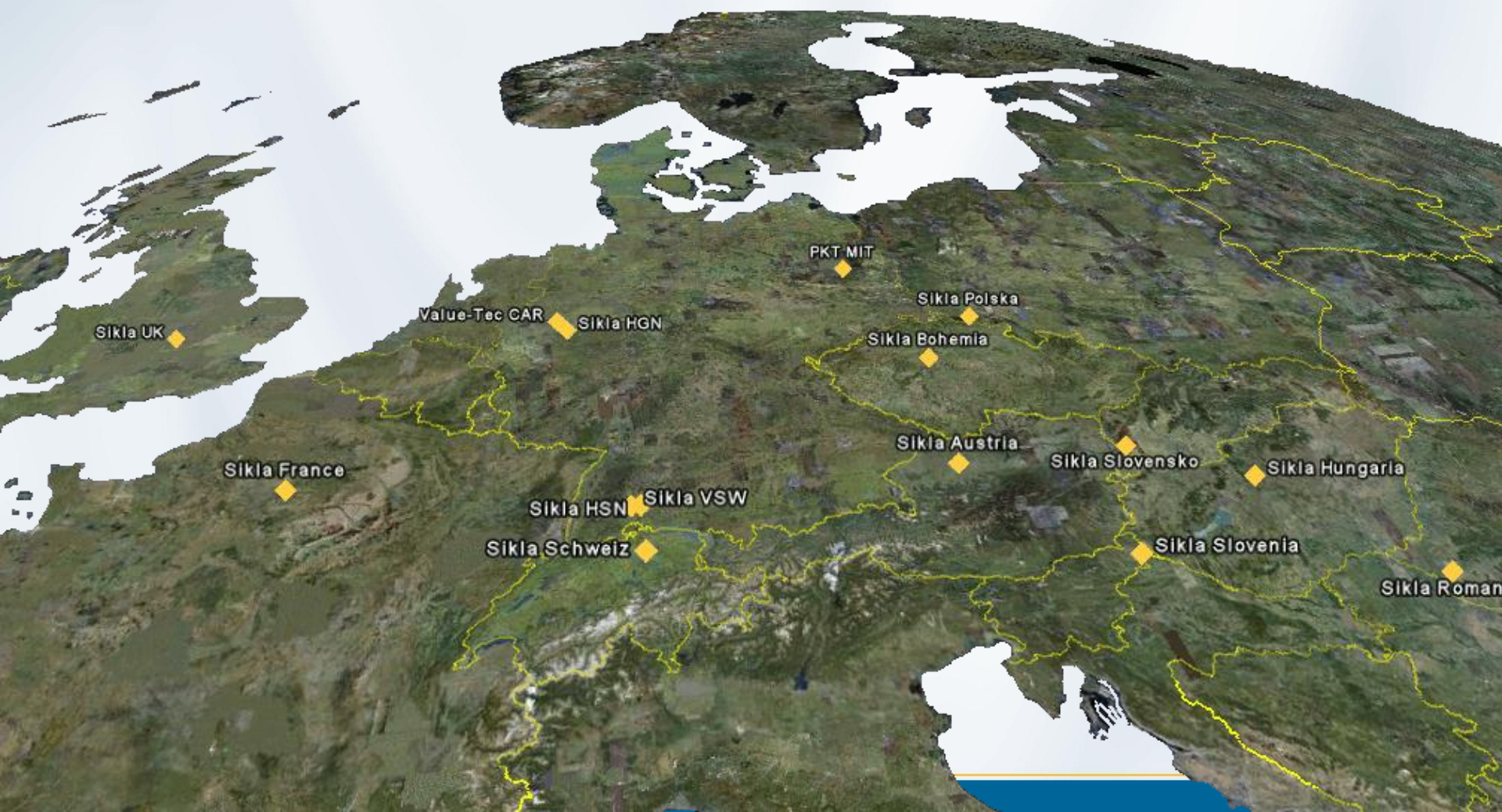


**Founder  
Sighart Klauß**



**CEOs of the  
Sikla Group  
Dieter and Reiner Klauß**

## The Sikla Group



## Reference Projects



B. Braun AG, Melsungen



Roche Diagnostics GmbH, Penzberg

## Chemical / Pharmaceutical Industry

Altana - BASF - Bayer - Boehringer – B.Braun - Clariant - Degussa - Roche – Novartis

## Reference Projects



New Wembley Stadium



Surgical Clinic Ulm

Stadiums – University Hospitals – Hospitals – Nursing Homes

## Reference Projects



Mercedes-Benz world with the Mercedes-Benz Museum, Stuttgart



BMW Fahrzeugwerk, Leipzig

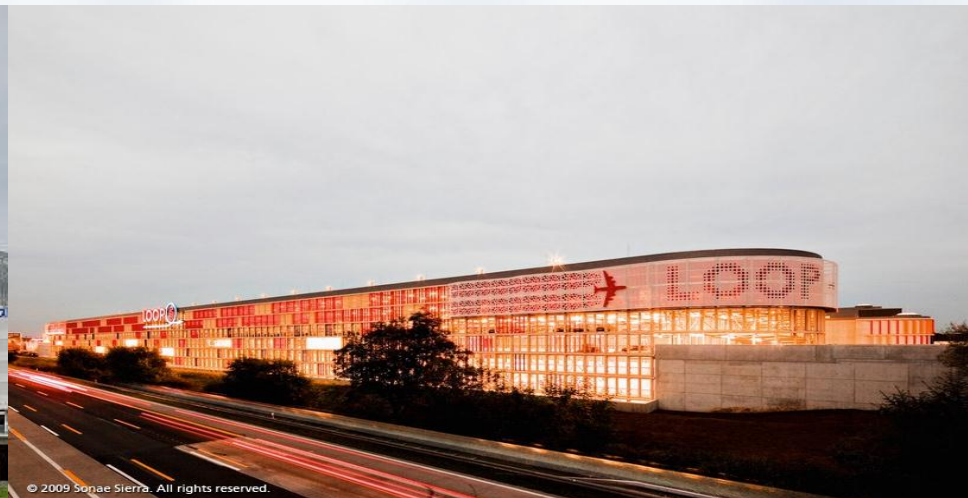
## Automotive industry

Audi - BMW - DC - McLaren - Porsche - SEAT - Skoda - SMART - Volkswagen

## Reference Projects



Esprit Arena, Düsseldorf



Shopping-Center Loop 5, Weiterstadt

## Infrastructure

Train stations – Sewage plants – Power plants – Tradeshow centers – Shopping centers

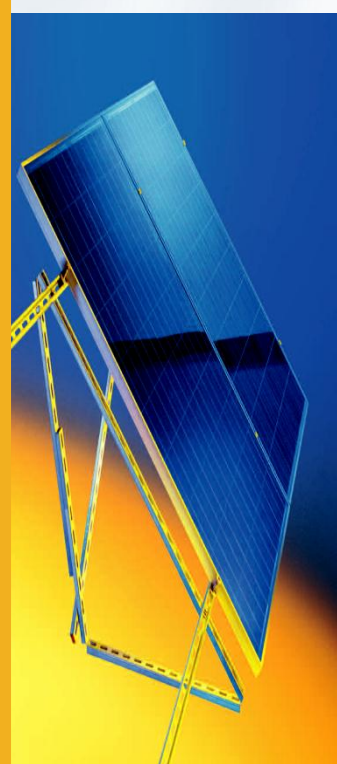
### Siconnect



### Simotec



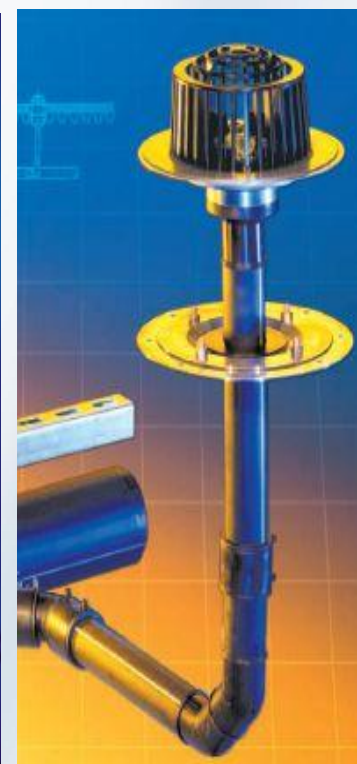
### Solar-Montage



### Sicombi

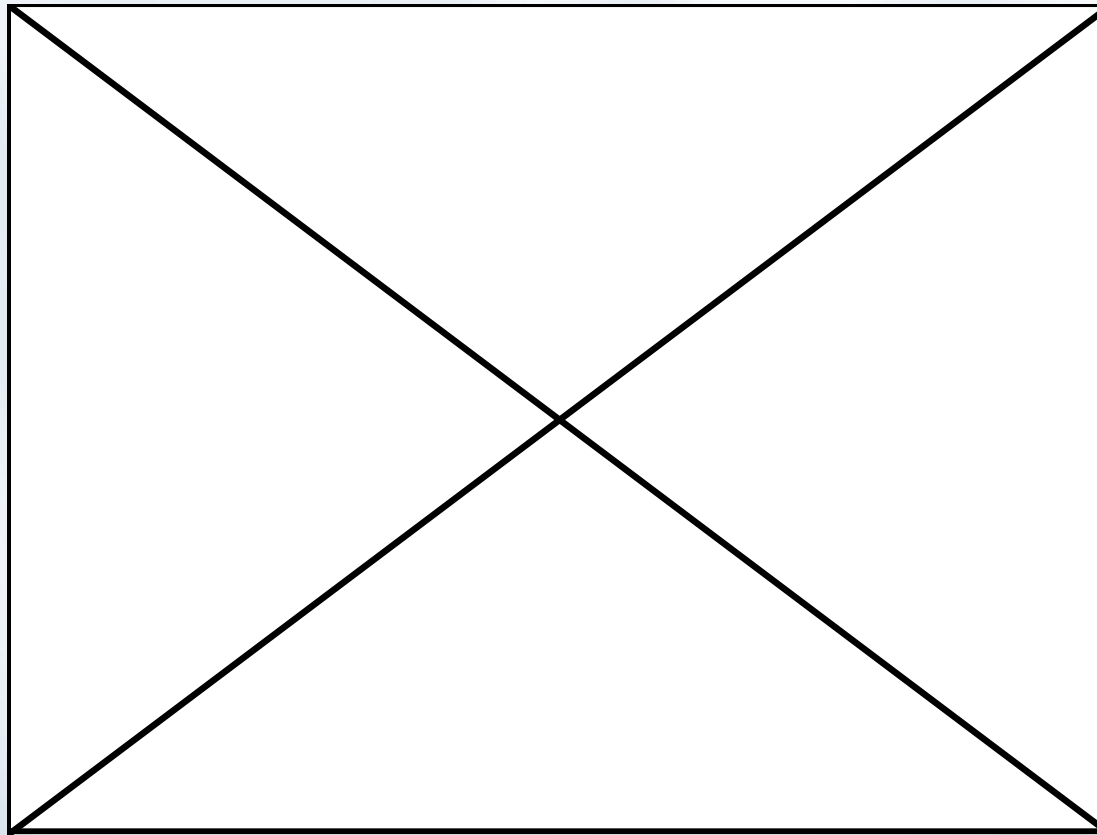


### Siaqua

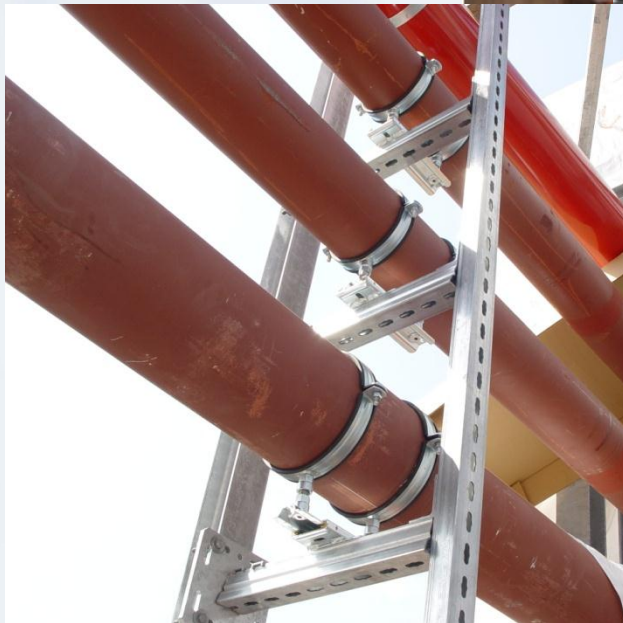




## Principle



## In Practice

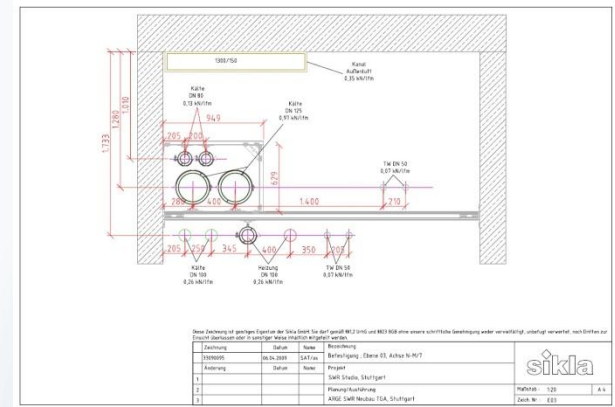


## Individual Prefabrication



## Technical Planning and Project Support

- Individual bid proposals according to contract specifications or planning documents
- CAD supported planning, including development of optimized mounting solutions
- Creating CAD sketches, BOM lists and schematic drawings



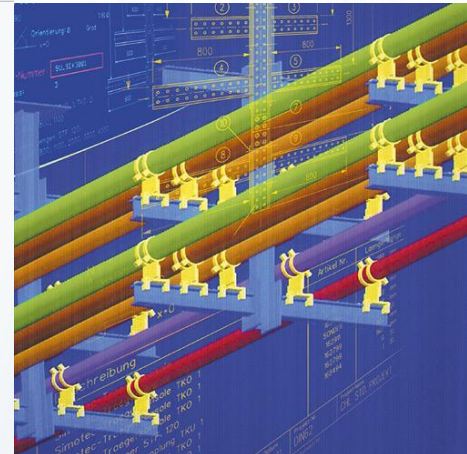
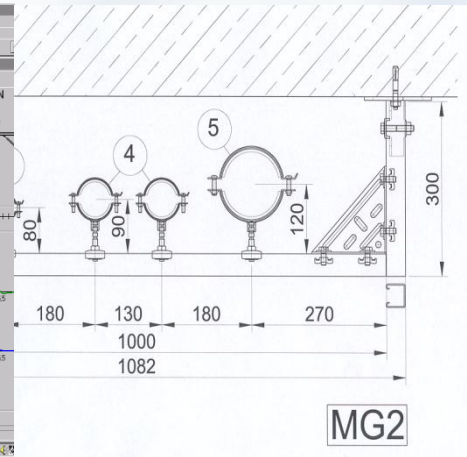
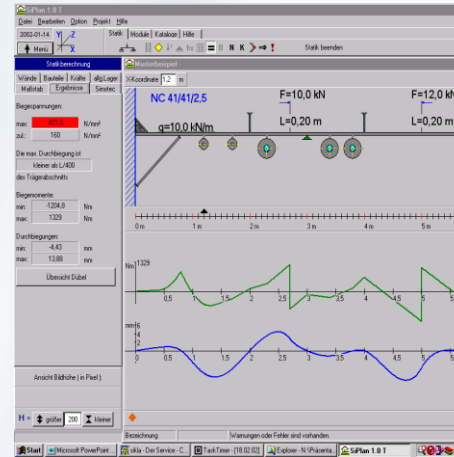
Pos.	Artikel	Menge	Einheit	Artikel Nr.	Stück/Meter	geliefert
<b>Bestellungskonstruktion Ebene 03</b>						
Achse N7						
Stützweite = max. 2,5 Meter						
2 Befestigungsbereiche aus:						
	MA-Sch 4180/3 D 6m	2,08	MTR	103653		
	WSD-Halter 4162 D	2	STK	155090		
	Verbinder CC - 80° Stahl	1	STK	191675		
	Verbinder CC - 90° W Stahl	1	STK	191684		
	Winkelkonsole CC - 150/150	1	STK	191783		
	MA-Sch 4141/2 D 6m	1,56	MTR	103747		
	1 x L = 950 mm, abgeleitet					
	1 x L = 610 mm, abgeleitet					
	Bolzenanker Z plus 10/10	5	STK	166544		
<b>Alternativ:</b>						
	Tülgensprofil F 80 6m	2,95	MTR	192530		
	1 x L = 2950 mm, abgeleitet					
	WSD-Halter F 80 - 80/130	2	STK	192061		
	Schienenadapter SA F 80 - 41	1	STK	192887		
	Formlockschraube F 80	12	STK	192512		
	MA-Sch 4141/2 D 6m	1,56	MTR	103747		
	1 x L = 950 mm, abgeleitet					
	1 x L = 630 mm, abgeleitet					
	Winkelkonsole CC - 150/150	1	STK	191783		
	Verbinder CC - 90° Stahl	1	STK	191675		
	Bolzenanker Z plus 12/15	8	STK	166571		

## Construction Site Management

- Technical construction site supervision on-site
- Trainings for service engineers by Sikla employees on-site
- Orientation for assembly personnel by Sikla employees
- Fixed contact persons in the field, both in application engineering as well as order processing



- TGA designer
- Piping diagram
- Marketing staff
- Customer service center technology
  - Determine statically
  - CAD drawings
- Optimized proposal for a solution



- Piping worker / Pipe layer building services engineering



- Validation planning basis / real construction situation
- Concept / real proposal for solution
- Development of mounting solution



- Create CAD drawings
- Create BOM lists
- Offer
- Industrial prefabrication
- Appointment and exact positional delivery on construction site

## Problem

- Short planning and realization timeframe
- Minimal planning dependability for personal capacity
- Many interfaces – high communication expenses
- Different materials and rooms
- Planning services self-financing for customers



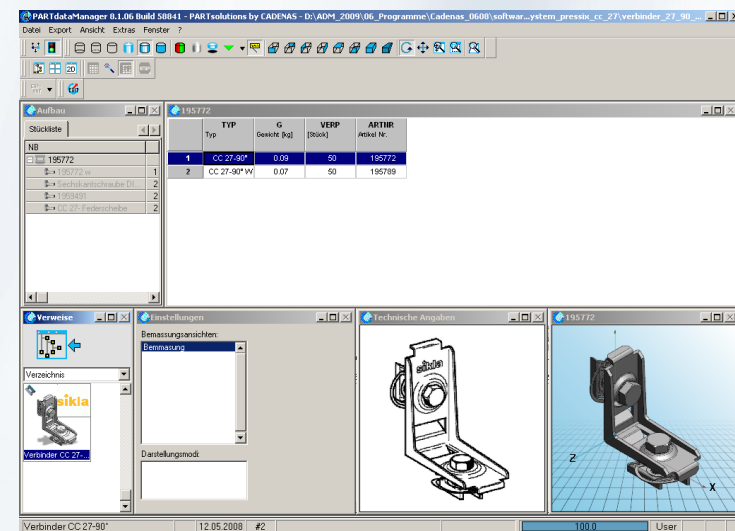


- Solution proposition on-site
- Minimize interfaces
- Effective planning tool



## Software Tools

- CAD library
  - Preparation of entire product range
  - Platform-independent in 2-D and 3-D
  - Function relevant product information at a glance
  - Easy creation of own mounting details
  - Reduced planning effort

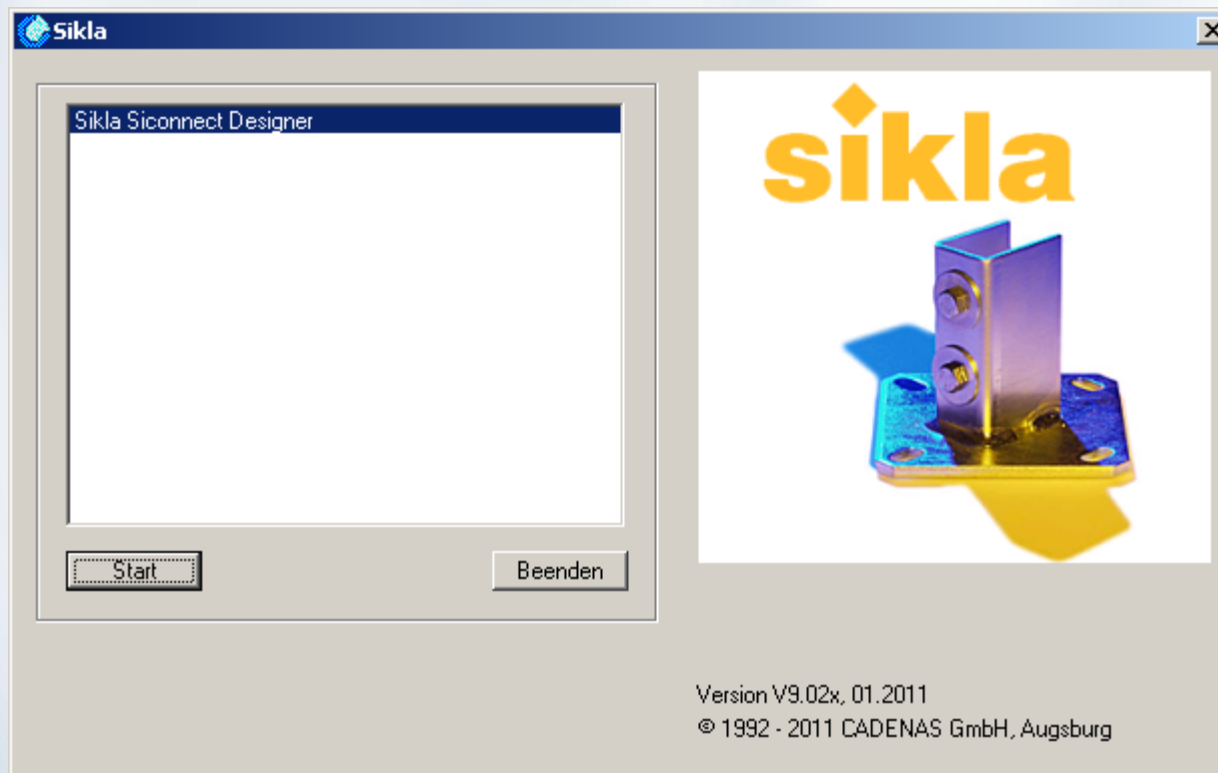


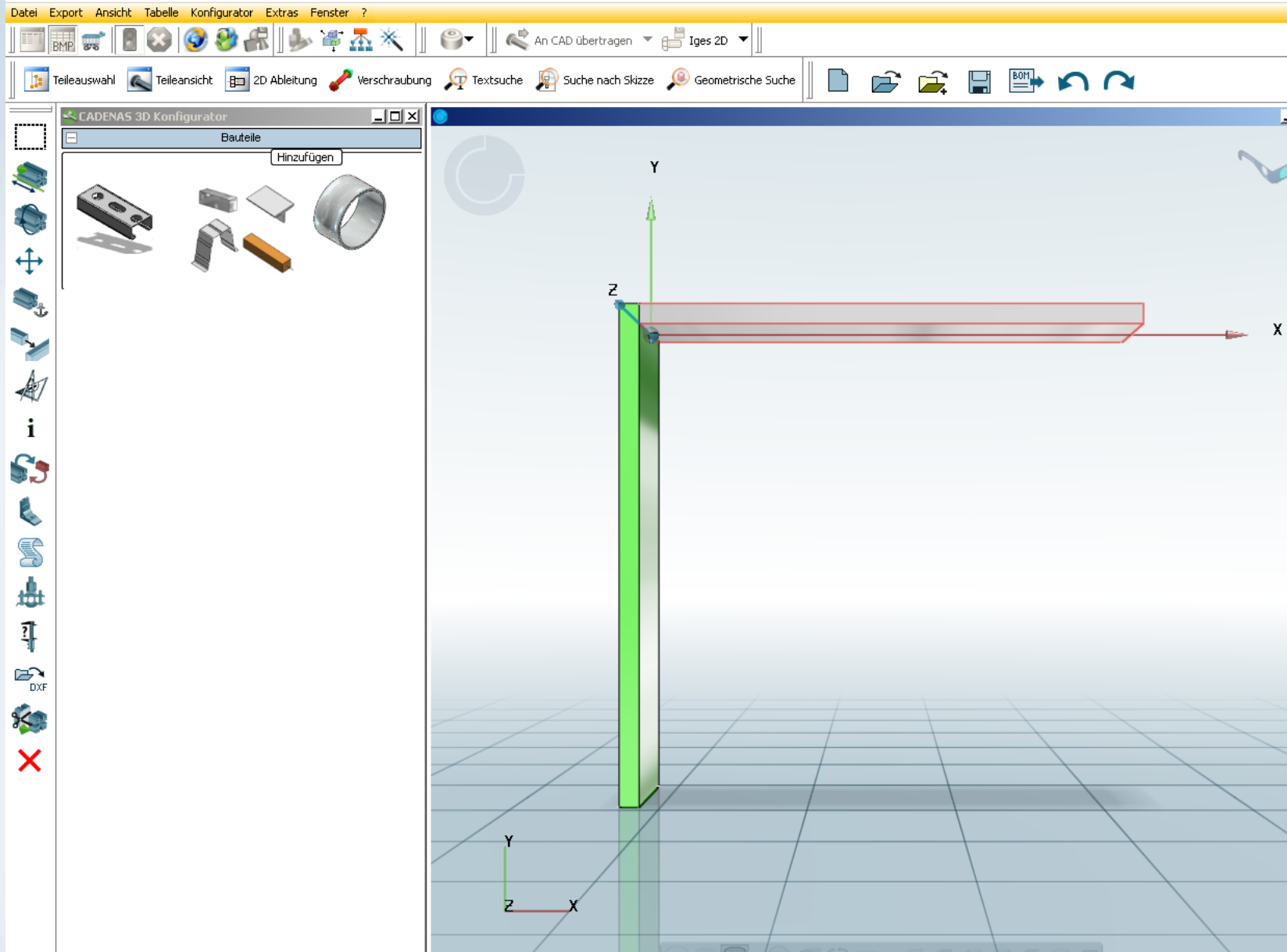
## Performance Requirements

- Configure piping anchorage in space
- Create BOM list and CAD exports
- Automatic connection of parts according to system of rules
- Exchange/replace part within assembly
- Delete installed elements afterwards
- Define assembly frame as desired
- Important part properties for connection, for example concrete, profiling sheet, etc.
- Automatic connection of assembly with subsequent part

## Performance Requirements

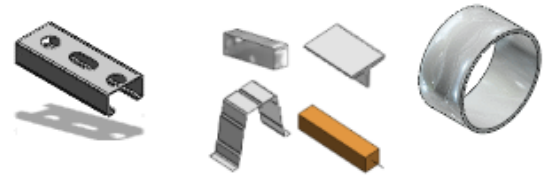
- Parts are outfitted with static data
- Multilingual program
- Up-to-date product range
- Mount selection based on indication of temperature
- Expansion compensation through glider selection
- Visualization in 3-D
- BOM list as basis for offer





## Bauteile

Hinzufügen



## Details

Wählen Sie das Bauteil aus:

Artikelnummer:

Vorschau Basisteile

### Bauteil - Bauelemente

- Beton
- Träger
- Trapeze
- Holz



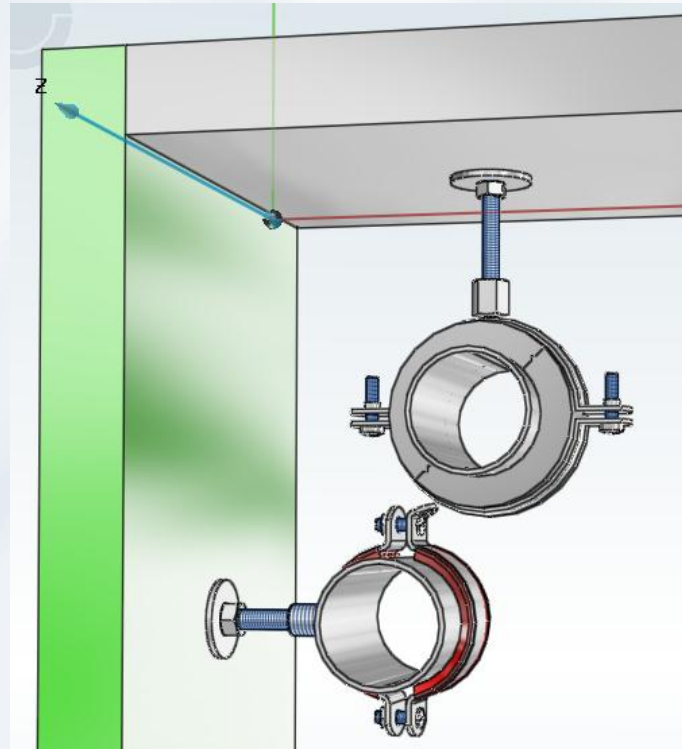
## Structure

## View functions



Bauteil - Rohre	
<input type="checkbox"/>	Abflussrohr GA
<input type="checkbox"/>	Abflussrohr SML
<input type="checkbox"/>	Abflussrohr SML
<input type="checkbox"/>	Abflussrohr PVC-hart
<input type="checkbox"/>	Druckrohr PN16 PVC-hart
<input type="checkbox"/>	Gewinderohr GR
<input type="checkbox"/>	HDPE-Rohr
<input type="checkbox"/>	Kupferrohr
<input type="checkbox"/>	PP-Rohr
<input type="checkbox"/>	Siederohr Stahl, nahtlos
<input type="checkbox"/>	Stahlrohr, geschweißt
<input type="checkbox"/>	VA-Rohr
<input type="checkbox"/>	Wickelfalzrohr

- Select pipe standard
- Select dimensions
- Drag pipe to part and let go
- Move connection pipe





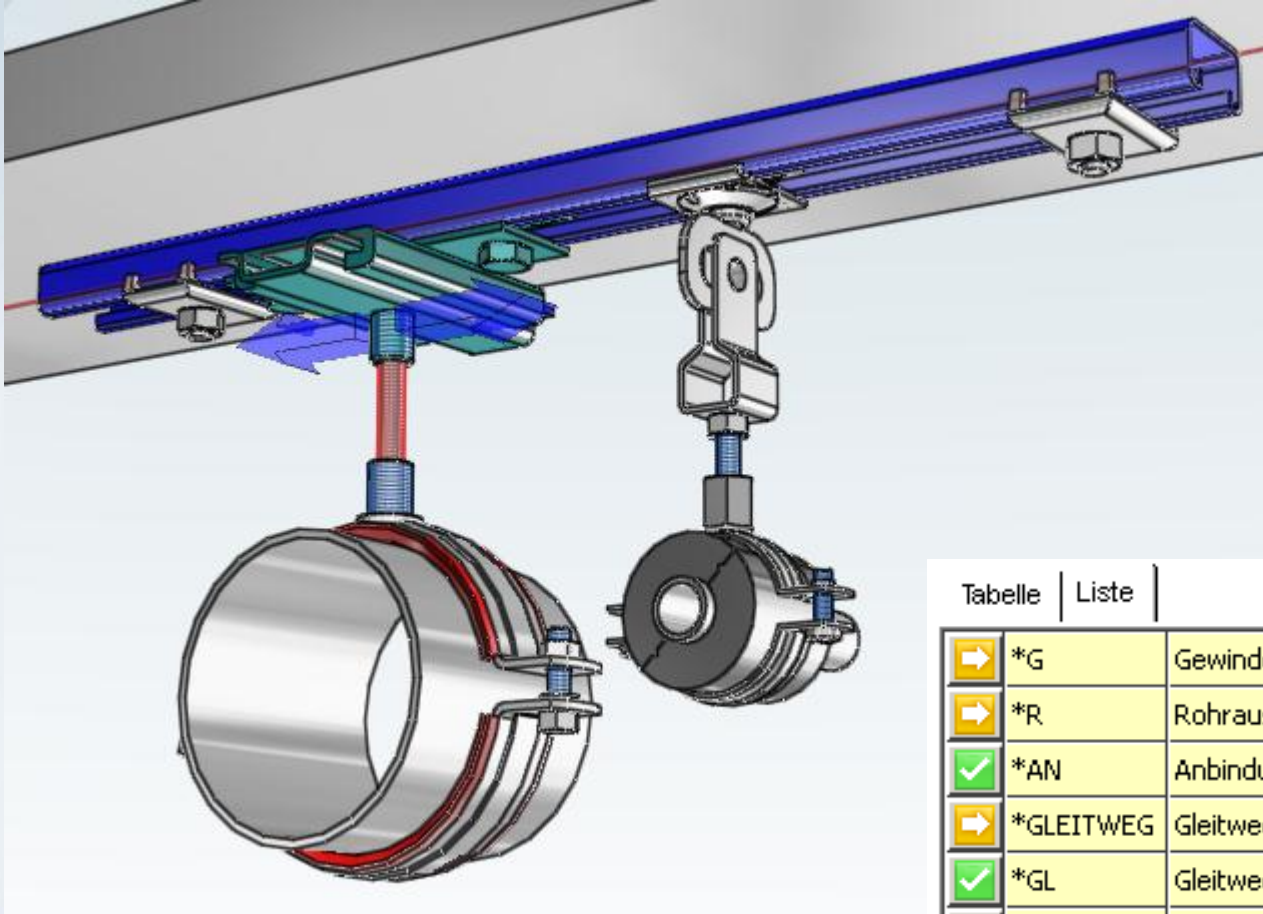
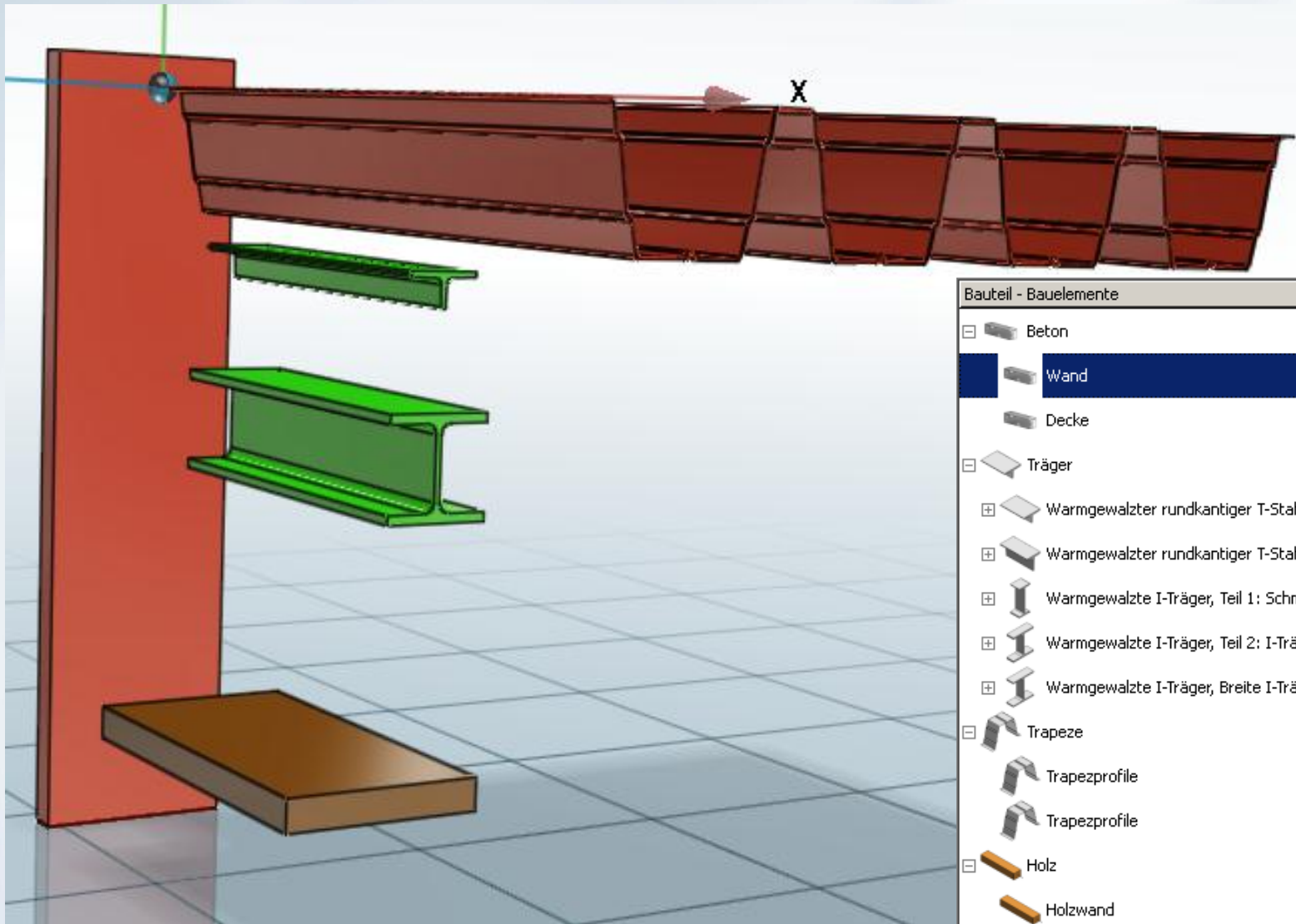
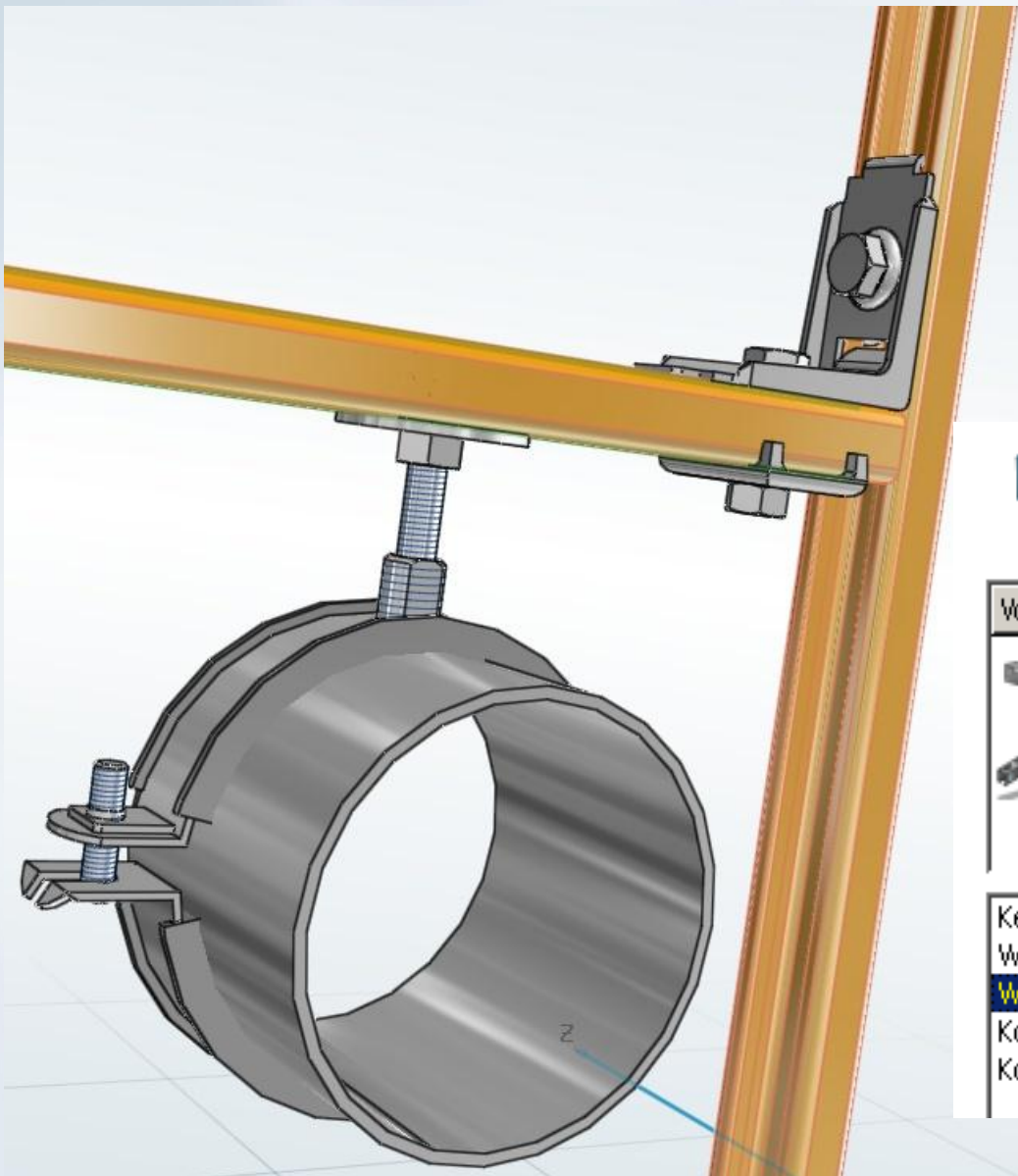


Tabelle		Liste			
	*G	Gewinde	M8		
	*R	Rohraussendurchm...	28		
	*AN	Anbindung	Decke		
	*GLEITWEG	Gleitweg	mit Gleitweg		
	*GL	Gleitweg [mm]	<25		
	*L	Länge [mm]	300		
	VERS		1		



Bauteil - Bauelemente	
<input type="checkbox"/>	Beton
<input checked="" type="checkbox"/>	Wand
<input type="checkbox"/>	Decke
<input type="checkbox"/>	Träger
<input checked="" type="checkbox"/>	Warmgewalzter rundkantiger T-Stahl, Form TB
<input checked="" type="checkbox"/>	Warmgewalzter rundkantiger T-Stahl, Form T
<input checked="" type="checkbox"/>	Warmgewalzte I-Träger, Teil 1: Schmale I-Träger, I-Reihe
<input checked="" type="checkbox"/>	Warmgewalzte I-Träger, Teil 2: I-Träger, IPB-Reihe
<input checked="" type="checkbox"/>	Warmgewalzte I-Träger, Breite I-Träger, leichte Ausführung, IPBI-Reihe
<input type="checkbox"/>	Trapeze
<input type="checkbox"/>	Trapezprofile
<input type="checkbox"/>	Trapezprofile
<input type="checkbox"/>	Holz
<input type="checkbox"/>	Holzwand
<input type="checkbox"/>	Holzdecke



Bitte wählen Sie das Bauteil, an dessen Verbindung Sie einen Verbinder hinzufügen möchten.

Vorschau	Beschreibung
	Wand
	Montageschiene MS 41

Kein Verbinder

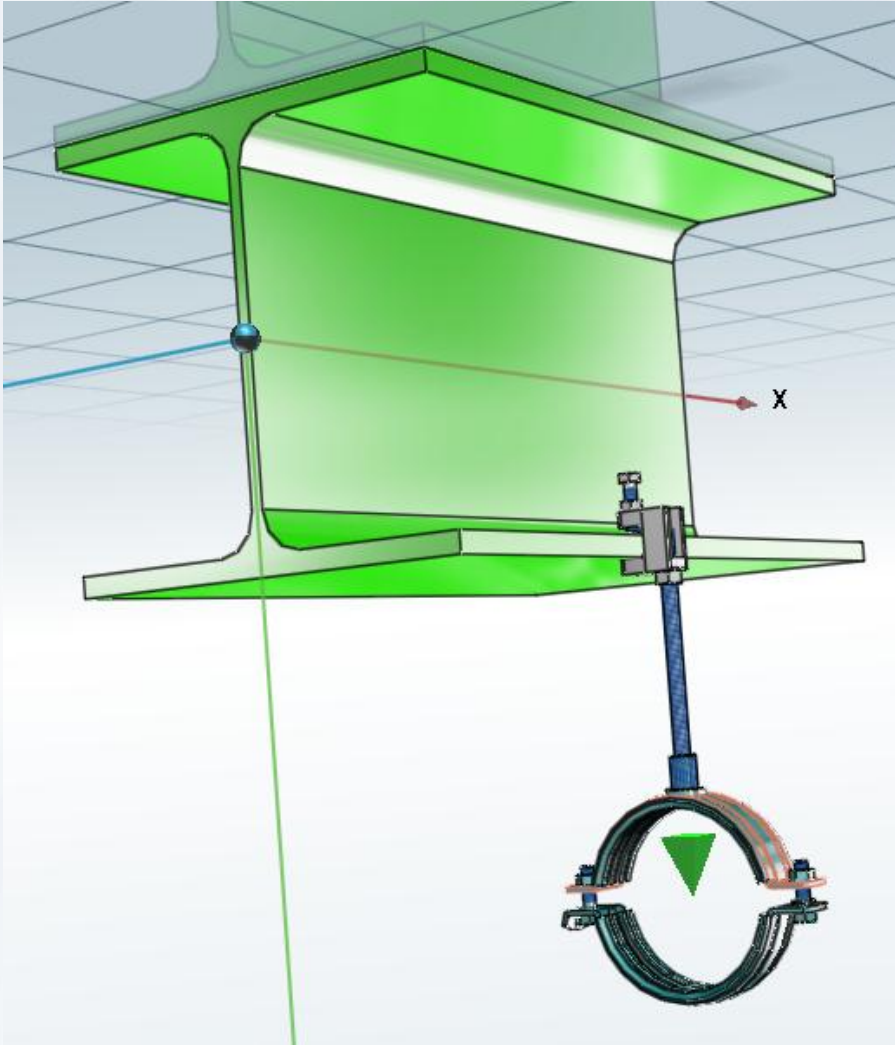
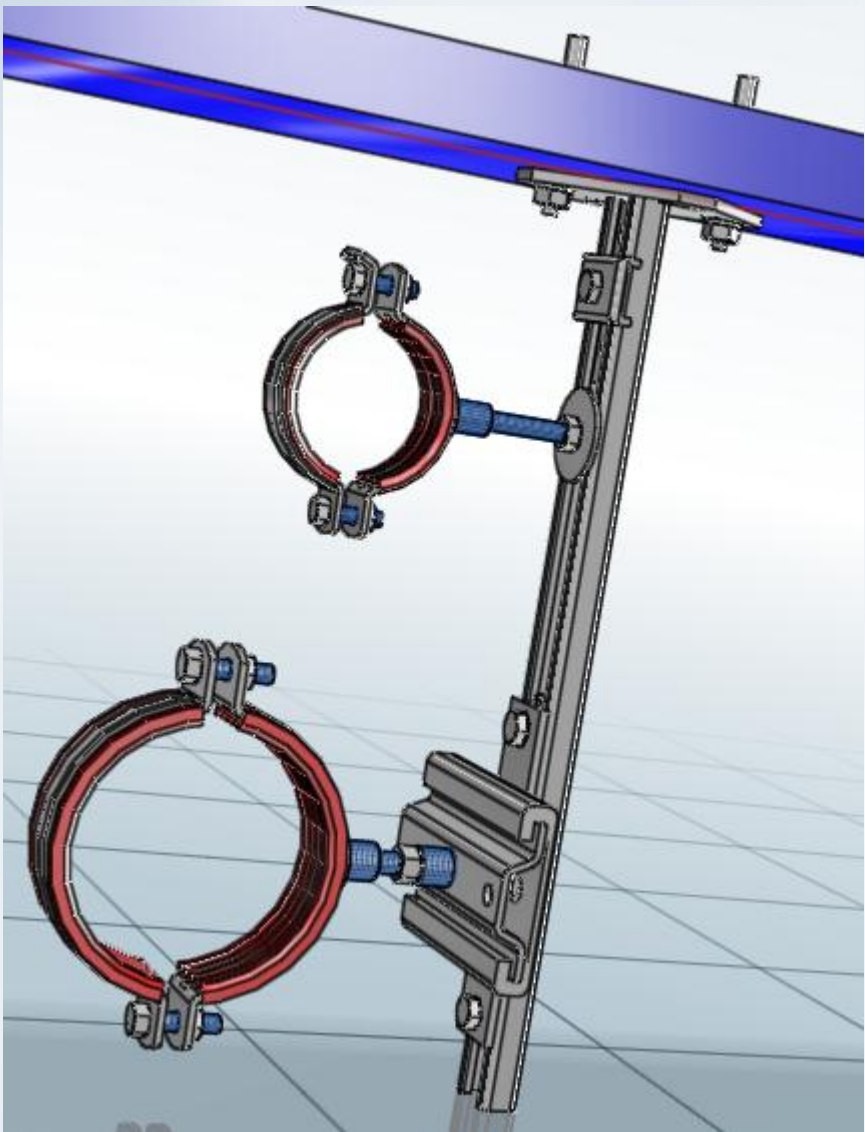
Winkel auf der Seite des Schlitzes

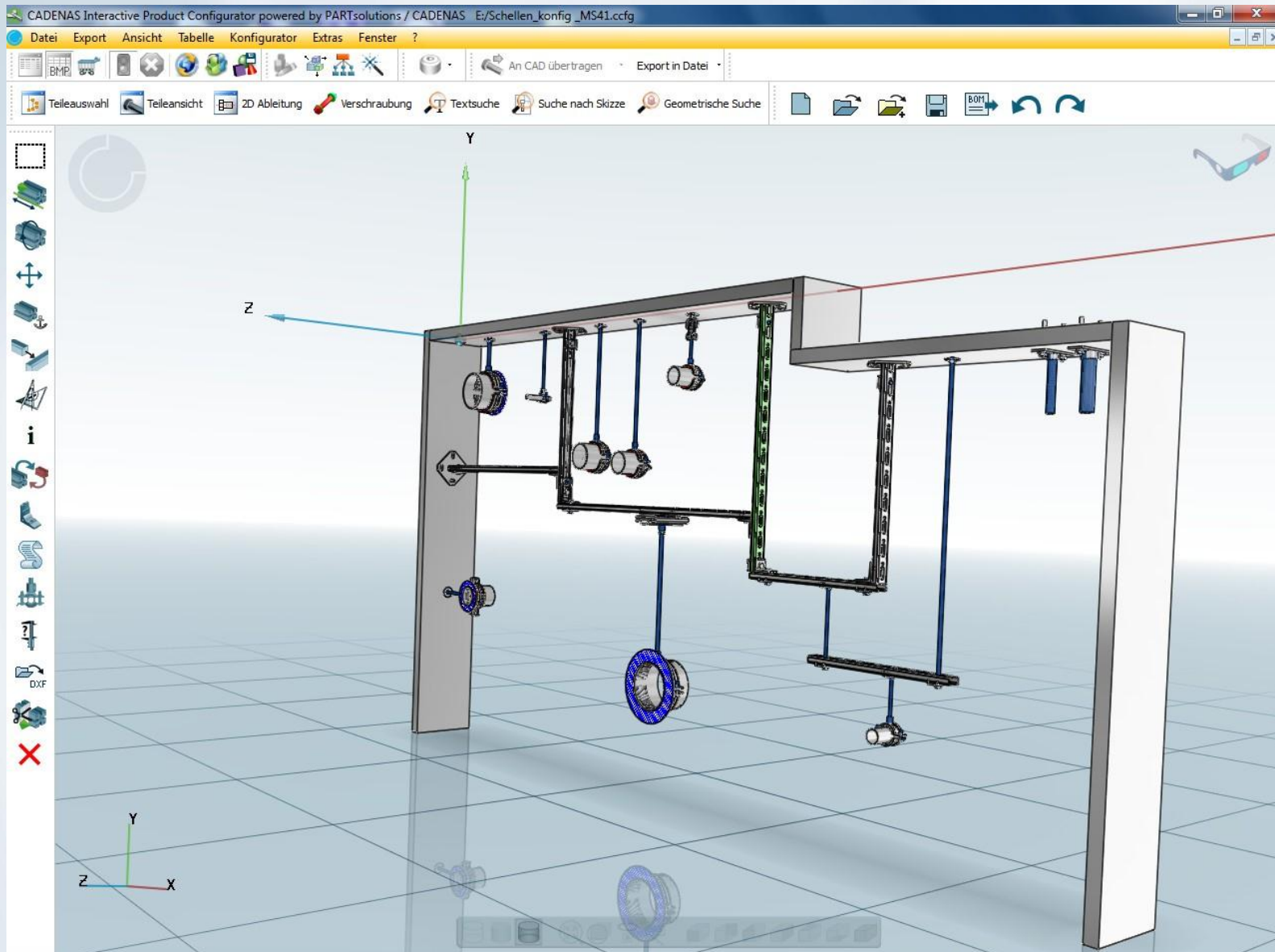
Winkel auf der Seite des Rückens

Konsole auf der Seite des Schlitzes

Konsole auf der Seite des Rückens

## Functions



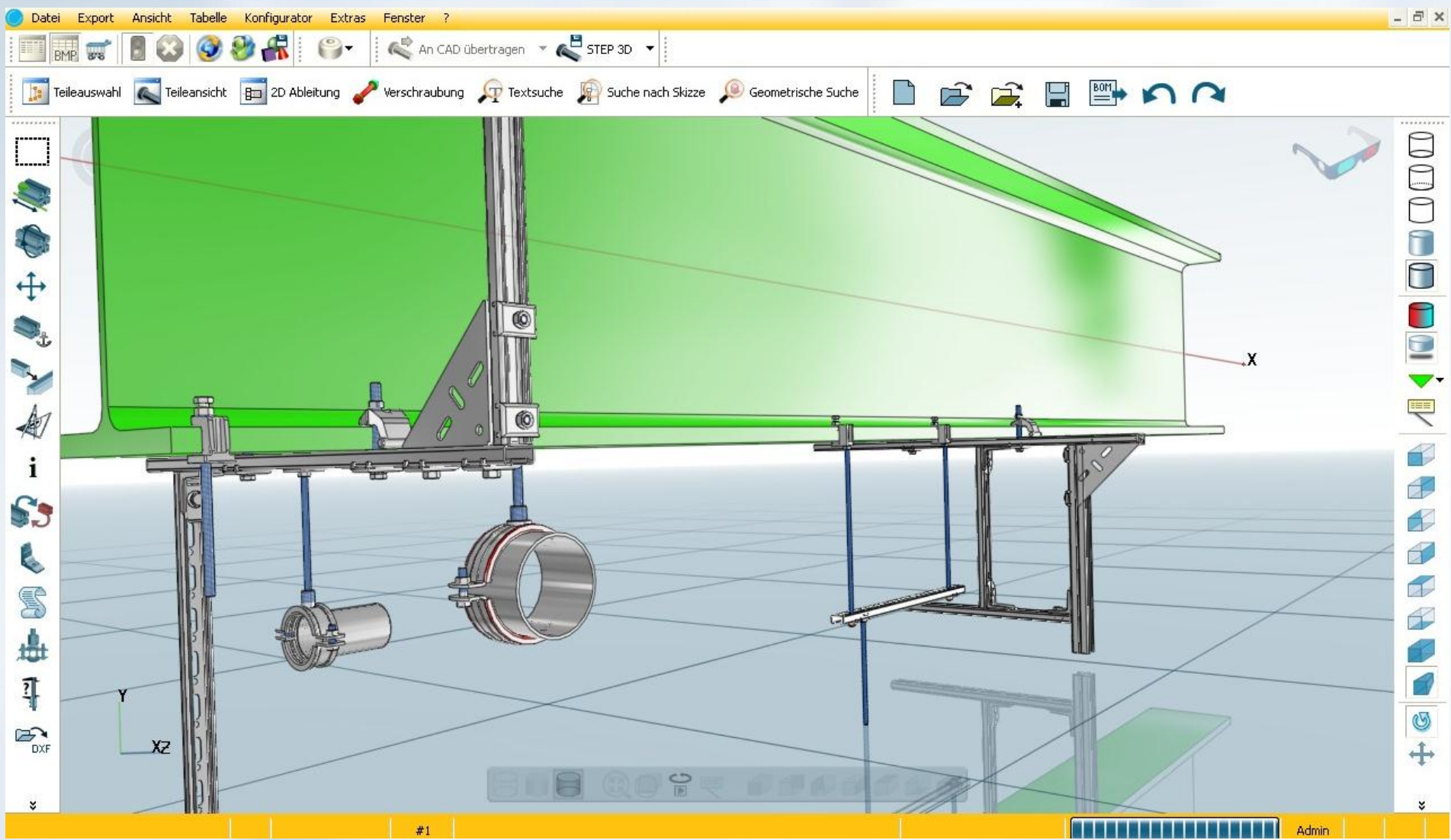


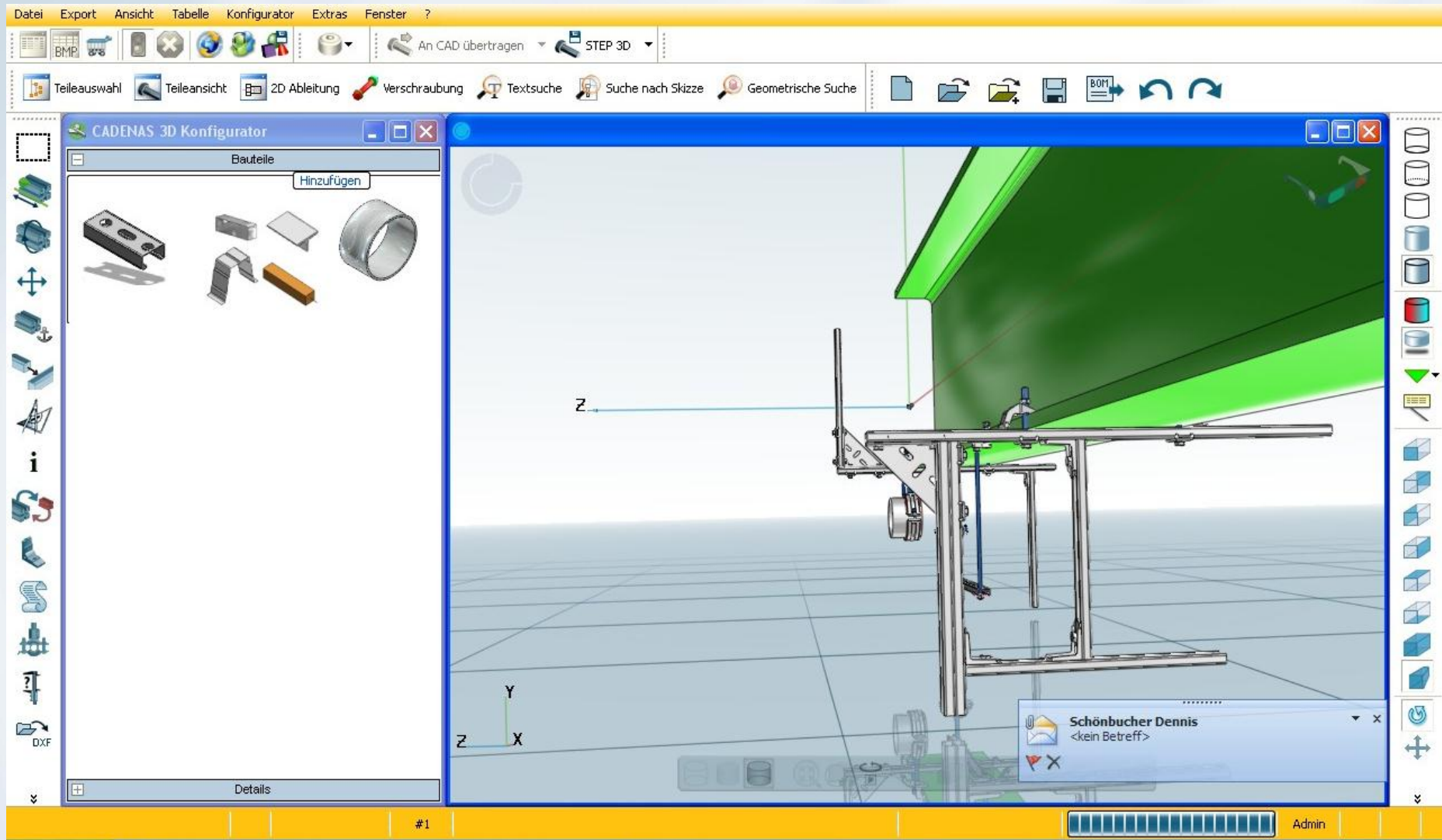
Stückliste

Anzahl	Artikelnummer	Beschreibung	L
1	107334	Stabil D-3G mE 73-78	
1	107352	Stabil D-3G mE 88-93	
1	154804	Ratio S 12-20	
1	107343	Stabil D-3G mE 79-85	
1	107398	Stabil D-3G mE 131-137	
1	173837	M-Sch 41/21/1,5 2m	799
2	173837	M-Sch 41/21/1,5 2m	500
1	173837	M-Sch 41/21/1,5 2m	599
1	173837	M-Sch 41/21/1,5 2m	1000
1	173837	M-Sch 41/21/1,5 2m	619
1	173837	M-Sch 41/21/1,5 2m	765
1	172739	Stabil D-2G mE 38-42 A4	
1	107316	Stabil D-3G mE 60-65	
1	107422	Stabil D-3G mE 156-162	
1	124568	Gewindestab GST M10x1000	443
4	125514	Schlaganker AN EA M10	
4	105590	U-Scheibe US 10/ 40	
11	137546	Sechskantmutter NT M10	
1	124568	Gewindestab GST M10x1000	414
1	111614	Gewindestife GST M 8x250 DIN976 4.6	239
2	125505	Schlaganker AN EA M 8	
2	105581	U-Scheibe US 8/ 40	
2	125356	Sechskantmutter NT M 8	
1	111702	Gewindestife GST M10x175 DIN976 4.6	164
1	111438	Gewindestife GST M12x150 DIN976 4.6	143
1	125523	Schlaganker AN EA M12	
1	105606	U-Scheibe US 12/ 40	
2	114228	Sechskantmutter NT M12	
1	115399	Montagewinkel MW S 60/40/90	
7	178247	Halteklaue HK 41/10	
5	114158	Sechskantschr. SKT M10/ 40	
4	177725	WBD-Halter 41/21	
3	191684	Verbinder CN CC41 - 90° W Stabil	
3	191585	Blockset PBS CC41 M 8 x 275	
2	180209	Gewindeplatte NT CC41-M 8	
1	111614	Gewindestife GST M 8x250 DIN976 4.6	249
1	124568	Gewindestab GST M10x1000	864
1	191675	Verbinder CN CC41 - 90° Stabil	
3	191576	Blockset PBS CC41 M 8 x 175	
1	111678	Gewindestife GST M 8x175 DIN976 4.6	152
1	138529	Grundplatte GPL Stabil 1/2"	
1	151102	Gewinderohr GR 2m 1/2"	
4	166544	Bolzenanker AN BZ plus 10/10	
1	107592	Grundplatte GPL Stabil 1"	
1	151120	Gewinderohr GR 2m 1"	
1	151078	Gleitelement GLE J-M10	
1	111580	Gewindestife GST M 8x100 DIN976 4.6	86.07
2	191747	Gleitsatz GS CC - H3G/4	
1	143192	Gewindestab GST M12x1000	435.5
2	180218	Gewindeplatte NT CC41-M10	

Hinzufügen
Bearbeiten
Löschen
...
Speichern
Abbrechen

# Functions







# Thank You!



Günter, Brugger  
CEO Siconnect  
Sikla GmbH