

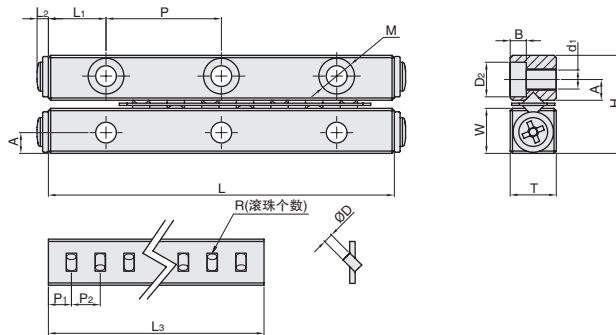
| | | |
|-----|----------------------|----|
| 客户 | 目录 | 稿次 |
| ANT | FA 工厂自动化零件 2022-01 版 | 三校 |

交叉滚子导轨

大批量
订购
bulk order



| ① 代码 | 类型 | 导轨 | | 保持架 | 滚柱 |
|------|--------|-------|------|--------|-------|
| | | 材质 | 表面处理 | 材质 | 材质 |
| CRV | 交叉滚子导轨 | Gcr15 | - | SUS304 | Gcr15 |



订购编号示例

| | | |
|------|---|------|
| ① 代号 | - | ② 规格 |
| CRV | - | 1030 |

| ① 代号 | ② 规格 | 最大行程 (MM) | 外型尺寸 | | | | | | 保持器规格 | | | | 安装孔尺寸 | | | | | 单颗滚柱负荷 | | | |
|-------|-------|-----------|------|------|------|------|------|----------------|----------------|-----|----------------|----|----------------|----------------|-----|----|----------------|----------------|-----|------------|--------------------------|
| | | | H | T | W | L | N×F | L ₁ | L ₂ | D | L ₃ | R | P ₁ | P ₂ | A | M | d ₁ | d ₂ | B | 基本动态负荷 (C) | 基本静态负荷 (C ₀) |
| CRV | 1020 | 12 | 8.5 | 4 | 3.9 | 20 | 1×10 | 5 | 0.8 | 1.5 | 14 | 5 | 2 | 2.5 | 1.8 | M2 | 1.65 | 3 | 1.4 | 0.098KN | 0.069KN |
| | 1030 | 22 | | | | 30 | 2×10 | | | | 19 | 7 | | | | | | | | | |
| | 1040 | 27 | | | | 40 | 3×10 | | | | 26.5 | 10 | | | | | | | | | |
| | 1050 | 32 | | | | 50 | 4×10 | | | | 34 | 13 | | | | | | | | | |
| | 1060 | 37 | | | | 60 | 5×10 | | | | 41.5 | 16 | | | | | | | | | |
| | 1070 | 42 | | | | 70 | 6×10 | | | | 49 | 19 | | | | | | | | | |
| | 1080 | 52 | 80 | 7×10 | 54 | 21 | | | | | | | | | | | | | | | |
| | 2030 | 18 | 12 | 6 | 5.5 | 30 | 1×15 | 7.5 | 1.5 | 2 | 21 | 5 | 2.5 | 4 | 2.5 | M3 | 2.5 | 4.5 | 2 | 0.176KN | 0.127KN |
| | 2045 | 24 | | | | 45 | 2×15 | | | | 33 | 8 | | | | | | | | | |
| | 2060 | 30 | | | | 60 | 3×15 | | | | 45 | 11 | | | | | | | | | |
| | 2075 | 44 | | | | 75 | 4×15 | | | | 53 | 13 | | | | | | | | | |
| | 2090 | 50 | | | | 90 | 5×15 | | | | 65 | 16 | | | | | | | | | |
| | 20105 | 64 | | | | 105 | 6×15 | | | | 73 | 18 | | | | | | | | | |
| | 20120 | 70 | 120 | 7×15 | 85 | 21 | | | | | | | | | | | | | | | |
| | 20135 | 84 | 135 | 8×15 | 93 | 23 | | | | | | | | | | | | | | | |
| | 3050 | 28 | 18 | 8 | 8.3 | 50 | 1×25 | 12.5 | | 3 | 36 | 7 | 3 | 5 | 3.5 | M4 | 3.4 | 6 | 3.1 | 0.363KN | 0.275KN |
| | 3075 | 48 | | | | 75 | 2×25 | | | | 51 | 10 | | | | | | | | | |
| | 30100 | 58 | | | | 100 | 3×25 | | | | 71 | 14 | | | | | | | | | |
| | 30125 | 78 | | | | 125 | 4×25 | | | | 86 | 17 | | | | | | | | | |
| | 30150 | 88 | | | | 150 | 5×25 | | | | 106 | 21 | | | | | | | | | |
| | 30175 | 108 | | | | 175 | 6×25 | | | | 121 | 24 | | | | | | | | | |
| | 30200 | 118 | 200 | 7×25 | 141 | 28 | | | | | | | | | | | | | | | |
| | 30225 | 138 | 225 | 8×25 | 156 | 31 | | | | | | | | | | | | | | | |
| | 30250 | 148 | 250 | 9×25 | 176 | 35 | | | | | | | | | | | | | | | |
| | 4080 | 58 | 22 | 11 | 10.2 | 80 | 1×40 | 20 | | 4 | 51 | 7 | 4.5 | 7 | 4.5 | M5 | 4.3 | 8 | 4.2 | 0.764KN | 0.637KN |
| | 40120 | 82 | | | | 120 | 2×40 | | | | 79 | 11 | | | | | | | | | |
| | 40160 | 106 | | | | 160 | 3×40 | | | | 107 | 15 | | | | | | | | | |
| | 40200 | 130 | | | | 200 | 4×40 | | | | 135 | 19 | | | | | | | | | |
| | 40240 | 154 | | | | 240 | 5×40 | | | | 163 | 23 | | | | | | | | | |
| | 40280 | 178 | | | | 280 | 6×40 | | | | 191 | 27 | | | | | | | | | |
| 40320 | 202 | 320 | | | | 7×40 | 219 | | | | 31 | | | | | | | | | | |
| 40360 | 226 | 360 | | | | 8×40 | 247 | | | | 35 | | | | | | | | | | |

⚠ 交叉滚子导轨耐冲击性弱，掉落或对其施力过大，会出现滑动异常，请小心注意。

B3
直线导轨

| | | |
|-----|-------|-----|
| 交货期 | 1-9 | 10~ |
| | 6 工作日 | 现询 |

| | | |
|-----|------|------|
| 优惠价 | 1-9 | 10~ |
| | 100% | 另行报价 |