

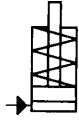
No. 6926

Block Cylinder

single acting, spring return,
max. operating pressure 500 bar.



CAD



Order no.	Article no.	Push force at 100 bar	Push force at 500 bar	Stroke H	Vol.	Piston dia.	Piston area	Spring force min.	Weight
		[kN]	[kN]	[mm]	[cm ³]	[mm]	[cm ²]	[N]	[g]
63354	6926-8-001	2,0	10,0	8	1,6	16	2,0	50	840
63362	6926-8-002	2,0	10,0	20	4,0	16	2,0	50	1370
63370	6926-12-001	3,1	15,5	8	2,4	20	3,1	70	920
63388	6926-12-002	3,1	15,5	20	6,2	20	3,1	70	1420
63396	6926-20-001	5,0	25,0	8	4,0	25	5,0	140	1250
63404	6926-20-002	5,0	25,0	20	10,0	25	5,0	140	1870
63412	6926-32-001	8,0	40,0	10	8,0	32	8,0	195	2060
63420	6926-32-002	8,0	40,0	20	16,0	32	8,0	195	2740
63438	6926-50-001	12,5	62,5	10	12,5	40	12,5	270	2830
63446	6926-50-002	12,5	62,5	20	25,0	40	12,5	270	3730
63453	6926-78-001	19,6	98,0	12	23,5	50	19,6	410	4430
63461	6926-78-002	19,6	98,0	20	39,2	50	19,6	410	5670
63479	6926-125-001	31,3	155,5	12	37,3	63	31,1	430	9500
63487	6926-125-002	31,3	155,5	25	77,75	63	31,1	430	9540

Design:

Cylinder barrel from steel, burnished. Piston and piston rod case hardened and ground. Wiper at piston rod. Piston rod with internal thread. Oil supply via threaded port.

Features:

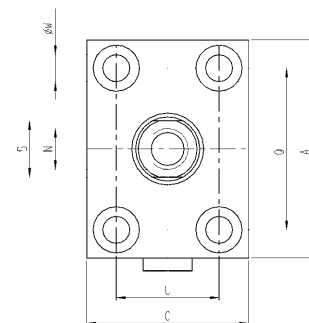
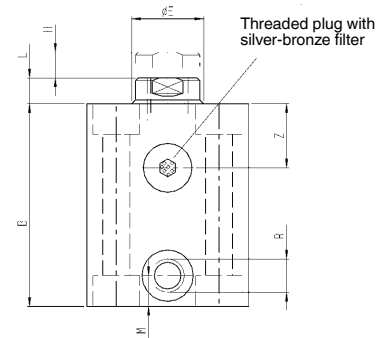
Universal mounting by means of mounting holes. Each cylinder size is available with two different strokes.

Note:

For single acting cylinders there is risk of sucking in coolant during return stroke. In this case the sinter metal breather shall be piped to a clean, protected area. Further sizes are available on request. For fixing screws must be strength class 12.9. All tolerances other than specified refer to DIN ISO 2768 medium.

On request:

Special sizes are available on request.



Dimensions:

Order no.	Article no.	A	B	C	dia. E	L	M	N x depth	Q	R	S	U	dia. W	Z
63354	6926-8-001	60	56	35	10	6	11	M6x12	40	G1/4	8	22	6,5	17
63362	6926-8-002	60	91	35	10	6	11	M6x12	40	G1/4	8	22	6,5	17
63370	6926-12-001	60	61	35	14	7	11	M8x15	40	G1/4	10	22	6,5	17
63388	6926-12-002	60	95	35	14	7	11	M8x15	40	G1/4	10	22	6,5	17
63396	6926-20-001	65	64	45	16	7	11	M10x15	50	G1/4	13	30	8,5	18
63404	6926-20-002	65	94	45	16	7	11	M10x15	50	G1/4	13	30	8,5	18
63412	6926-32-001	75	75	55	20	10	11	M12x15	55	G1/4	17	35	10,5	22
63420	6926-32-002	75	100	55	20	10	11	M12x15	55	G1/4	17	35	10,5	22
63438	6926-50-001	85	79	63	25	10	11	M16x25	63	G1/4	22	40	10,5	24
63446	6926-50-002	85	104	63	25	10	11	M16x25	63	G1/4	22	40	10,5	24
63453	6926-78-001	100	90	75	32	10	13	M20x30	76	G1/4	27	45	13,0	27
63461	6926-78-002	100	115	75	32	10	13	M20x30	76	G1/4	27	45	13,0	27
63479	6926-125-001	125	102	95	40	14	17	M27x40	95	G1/4	36	65	17,0	26
63487	6926-125-002	125	122	95	40	14	17	M27x40	95	G1/4	36	65	17,0	26

Subject to technical alterations.