

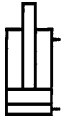
No. 6926D

## Block Cylinder

double acting,  
max. operating pressure 500 bar,  
min. operating pressure 25 bar.



CAD



Order no.	Article no.	Push force at 100 bar	Push force at 500 bar	Pull force at 100 bar	Pull force at 500 bar	Stroke H [mm]	Vol. push	Vol. pull	Piston dia. [mm]	Weight [g]
		[kN]	[kN]	[kN]	[kN]		[cm <sup>3</sup> ]	[cm <sup>3</sup> ]		
62067	6926D-8-003	2,0	10,0	1,2	6,0	16	3,2	1,9	16	880
62091	6926D-8-004	2,0	10,0	1,2	6,0	50	10,0	6,0	16	1420
295618	6926D-8-400	2,0	10,0	1,2	6,0	100	20,0	12,0	16	2200
62158	6926D-12-003	3,1	15,5	1,6	8,0	16	5,0	3,2	20	950
62166	6926D-12-004	3,1	15,5	1,6	8,0	50	15,5	10,0	20	1470
295626	6926D-12-400	3,1	15,5	1,6	8,0	100	31,0	20,0	20	2300
62190	6926D-20-003	5,0	25,0	2,9	14,5	20	9,8	5,8	25	1340
62208	6926D-20-004	5,0	25,0	2,9	14,5	50	25,0	14,5	25	1980
295634	6926D-20-400	5,0	25,0	2,9	14,5	100	50,0	29,0	25	3100
62372	6926D-32-003	8,0	40,0	4,9	24,5	25	20,0	12,2	32	2200
62380	6926D-32-004	8,0	40,0	4,9	24,5	50	40,0	24,5	32	2910
295642	6926D-32-400	8,0	40,0	4,9	24,5	100	80,0	49,0	32	4500
62455	6926D-50-003	12,5	62,5	7,6	38,0	25	31,4	19,1	40	2970
62463	6926D-50-004	12,5	62,5	7,6	38,0	50	62,5	38,0	40	3860
295246	6926D-50-400	12,5	62,5	7,6	38,0	100	125,0	76,0	40	5800
62570	6926D-78-003	19,6	98,0	11,6	58,0	25	49,0	29,0	50	4700
62588	6926D-78-004	19,6	98,0	11,6	58,0	50	98,0	58,0	50	5940
295667	6926D-78-400	19,6	98,0	11,6	58,0	100	196,0	116,0	50	8500
62653	6926D-125-003	31,1	155,5	18,6	93,0	30	93,5	55,8	63	8440
62786	6926D-125-004	31,1	155,5	18,6	93,0	50	155,5	93,0	63	10010
295675	6926D-125-400	31,1	155,0	18,6	93,0	100	311,0	186,0	63	14500
295683	6926D-200-003	50,3	251,5	30,6	153,0	32	160,0	98,0	80	15000
295691	6926D-200-004	50,3	251,5	30,6	153,0	80	402,0	245,0	80	21000
295709	6926D-200-400	50,3	251,5	30,6	153,0	100	503,0	305,0	80	24000

### Design:

Cylinder barrel from steel, hardened and burnished. Piston and piston rod case hardened and ground. Tandem sealing and wiper at piston rod. Piston rod with internal thread. Oil supply via threaded port.

### Features:

Universal mounting to fixtures through fastening holes. Each cylinder size is available with three different strokes.

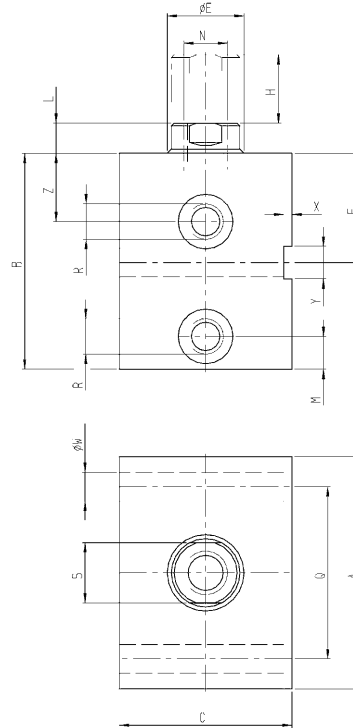
### Note:

The block cylinders are designed with slots for keys. For applications above 160 bar operating pressure, cylinders must be tenon-blocked at slot or being backed up at cylinder body. For fixing screws must be strength class 12.9. All tolerances other than specified refer to DIN ISO 2768 medium.

### On request:

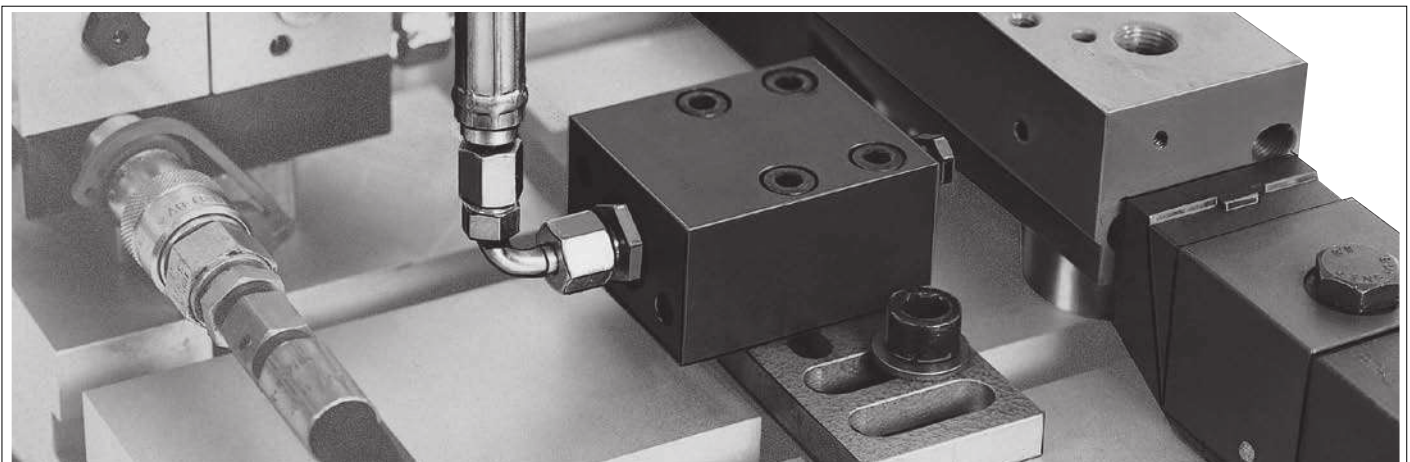
Special sizes are available on request.

Subject to technical alterations.



### Dimensions:

Order no.	Article no.	A	B	C	dia. E	F	L	M	N x depth	Q	R	S	dia. W	X	Y	Z
62067	6926D-8-003	60	56	35	10	30	6	11	M6x12	40	G1/4	8	6,5	2	8	16,5
62091	6926D-8-004	60	91	35	10	30	6	11	M6x12	40	G1/4	8	6,5	2	8	16,5
295618	6926D-8-400	60	144	35	10	30	6	11	M6x12	40	G1/4	8	6,5	2	8	16,5
62158	6926D-12-003	60	61	35	14	30	7	11	M8x15	40	G1/4	10	6,5	2	8	17,0
62166	6926D-12-004	60	95	35	14	30	7	11	M8x15	40	G1/4	10	6,5	2	8	17,0
295626	6926D-12-400	60	148	35	14	30	7	11	M8x15	40	G1/4	10	6,5	2	8	17,0
62190	6926D-20-003	65	64	45	16	33	7	11	M10x15	50	G1/4	13	8,5	2	10	18,0
62208	6926D-20-004	65	94	45	16	33	7	11	M10x15	50	G1/4	13	8,5	2	10	18,0
295634	6926D-20-400	65	144	45	16	33	7	11	M10x15	50	G1/4	13	8,5	2	10	18,0
62372	6926D-32-003	75	75	55	20	38	10	11	M12x15	55	G1/4	17	10,5	3	12	22,0
62380	6926D-32-004	75	100	55	20	38	10	11	M12x15	55	G1/4	17	10,5	3	12	22,0
295642	6926D-32-400	75	150	55	20	38	10	11	M12x15	55	G1/4	17	10,5	3	12	22,0
62455	6926D-50-003	85	79	63	25	40	10	11	M16x25	63	G1/4	22	10,5	3	12	24,0
62463	6926D-50-004	85	104	63	25	40	10	11	M16x25	63	G1/4	22	10,5	3	12	24,0
295246	6926D-50-400	85	154	63	25	40	10	11	M16x25	63	G1/4	22	10,5	3	12	24,0
62570	6926D-78-003	100	90	75	32	44	10	13	M20x30	76	G1/4	27	13,0	5	16	27,0
62588	6926D-78-004	100	115	75	32	44	10	13	M20x30	76	G1/4	27	13,0	5	16	27,0
295667	6926D-78-400	100	165	75	32	44	10	13	M20x30	76	G1/4	27	13,0	5	16	27,0
62653	6926D-125-003	125	102	95	40	50	14	17	M27x40	95	G1/4	36	17,0	5	20	26,0
62786	6926D-125-004	125	122	95	40	50	14	17	M27x40	95	G1/4	36	17,0	5	20	26,0
295675	6926D-125-400	125	172	95	40	50	14	17	M27x40	95	G1/2	36	17,0	5	20	26,0
295683	6926D-200-003	160	117	120	50	60	14	21	M30x40	120	G1/2	46	21,0	7	24	34,0
295691	6926D-200-004	160	165	120	50	60	14	21	M30x40	120	G1/2	46	21,0	7	24	34,0
295709	6926D-200-400	160	185	120	50	60	14	21	M30x40	120	G1/2	46	21,0	7	24	34,0



Subject to technical alterations.