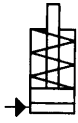


No. 6926

Block Cylinder

single acting, spring return,
max. operating pressure 500 bar.



Order no.	Article no.	Push force at 100 bar	Push force at 500 bar	Stroke H	Vol.	Piston dia.	Piston area	Spring force min.	Weight
		[kN]	[kN]	[mm]	[cm ³]	[mm]	[cm ²]	[N]	[g]
63511	6926-8-003	2,0	10,0	8	1,6	16	2,0	50	900
63529	6926-8-004	2,0	10,0	20	4,0	16	2,0	50	1450
63537	6926-12-003	3,1	15,5	8	2,4	20	3,1	70	980
63545	6926-12-004	3,1	15,5	20	6,2	20	3,1	70	1520
63552	6926-20-003	5,0	25,0	8	4,0	25	5,0	140	1370
63560	6926-20-004	5,0	25,0	20	10,0	25	5,0	140	2030
63578	6926-32-003	8,0	40,0	10	8,0	32	8,0	195	2270
63586	6926-32-004	8,0	40,0	20	16,0	32	8,0	195	3010
63594	6926-50-003	12,5	62,5	10	12,5	40	12,5	270	3040
63602	6926-50-004	12,5	62,5	20	25,0	40	12,5	270	4010
63610	6926-78-003	19,6	98,0	12	23,5	50	19,6	410	4760
63628	6926-78-004	19,6	98,0	20	39,2	50	19,6	410	6080
63636	6926-125-003	31,1	155,5	12	37,3	63	31,1	430	8720
63644	6926-125-004	31,1	155,5	25	77,75	63	31,1	430	10520

Design:

Cylinder barrel from steel, burnished. Piston and piston rod case hardened and ground. Wiper at piston rod. Piston rod with internal thread. Oil supply via threaded port.

Features:

Universal mounting to fixtures by means of mounting holes. Each cylinder size is available with two different strokes.

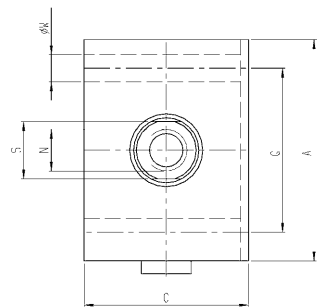
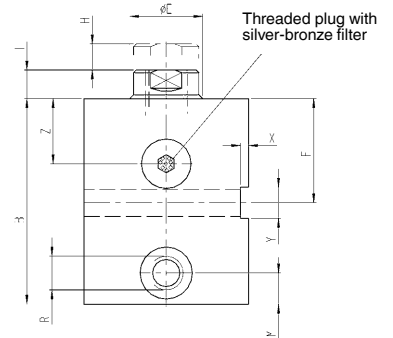
Note:

For single acting cylinders there is risk of sucking in coolant during return stroke. In this case the sinter metal breather shall be piped to a clean, protected area. For applications above 160 bar operating pressure, cylinders must be tenon-blocked at slot or being backed up at cylinder body. For fixing screws must be strength class 12.9.

All tolerances other than specified refer to DIN ISO 2768 medium.

On request:

Special sizes are available on request.



Dimensions:

Order no.	Article no.	A	B	C	dia. E	F	L	M	N x depth	Q	R	S	dia. W	X	Y	Z
63511	6926-8-003	60	56	35	10	30	6	11	M6x12	40	G1/4	8	6,5	2	8	17
63529	6926-8-004	60	91	35	10	30	6	11	M6x12	40	G1/4	8	6,5	2	8	17
63537	6926-12-003	60	61	35	14	30	7	11	M8x15	40	G1/4	10	6,5	2	8	17
63545	6926-12-004	60	95	35	14	30	7	11	M8x15	40	G1/4	10	6,5	2	8	17
63552	6926-20-003	65	64	45	16	33	7	11	M10x15	50	G1/4	13	8,5	2	10	18
63560	6926-20-004	65	94	45	16	33	7	11	M10x15	50	G1/4	13	8,5	2	10	18
63578	6926-32-003	75	75	55	20	38	10	11	M12x15	55	G1/4	17	10,5	3	12	22
63586	6926-32-004	75	100	55	20	38	10	11	M12x15	55	G1/4	17	10,5	3	12	22
63594	6926-50-003	85	79	63	25	40	10	11	M16x25	63	G1/4	22	10,5	3	12	24
63602	6926-50-004	85	104	63	25	40	10	11	M16x25	63	G1/4	22	10,5	3	12	24
63610	6926-78-003	100	90	75	32	44	10	13	M20x30	76	G1/4	27	13,0	5	16	27
63628	6926-78-004	100	115	75	32	44	10	13	M20x30	76	G1/4	27	13,0	5	16	27
63636	6926-125-003	125	102	95	40	50	14	17	M27x40	95	G1/4	36	17,0	5	20	26
63644	6926-125-004	125	122	95	40	50	14	17	M27x40	95	G1/4	36	17,0	5	20	26

Subject to technical alterations.