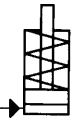


No. 6929

Threaded Cylinder bottom sealing, with spherical piston rod

single acting, spring return,
max. operating pressure 500 bar,
min. operating pressure 25 bar.



CAD

Order no.	Article no.	Push force at 100 bar [kN]	Push force at 500 bar [kN]	Stroke H [mm]	Vol. [cm ³]	Piston dia. [mm]	Piston area [cm ²]	Md max. [Nm]	Spring force min. [N]	Weight [g]
60095	6929-02x05	0,5	2,5	5	0,25	8	0,5	10	24	15
60103	6929-02x10	0,5	2,5	10	0,50	8	0,5	10	24	25
60046	6929-05	1,1	5,5	10	1,10	12	1,1	40	45	80
60053	6929-08	2,0	10,0	12	2,40	16	2,0	50	70	140
60061	6929-12	3,0	15,5	15	4,70	20	3,1	60	105	220
60079	6929-20	4,9	24,5	16	7,80	25	4,9	80	145	390
60087	6929-32	8,0	40,0	20	16,00	32	8,0	225	270	930

Design:

Cylinder barrel from steel, burnished. Piston and piston rod case hardened and ground. Wiper at piston rod, with plastic seal for bottom sealing of the cylinder. For no. 6929-02x05 and 6929-02 x 10 sealing with Cu-ring. Oil supply via oil channel in fixture body.

Application:

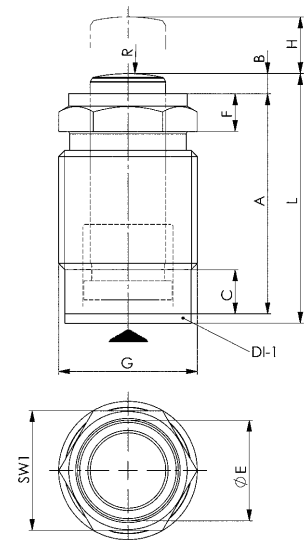
These threaded cylinders can be used in all types of clamping fixtures. Ideal for pressure bars for tolerance compensation in multiple-workpiece clamping fixtures, and for positioning, holding or ejecting, and clamping workpieces.

Features:

Small dimensions, can be installed closely spaced side-by-side. The cylinders can be screwed into the fixture body up to the hexagon.

Note:

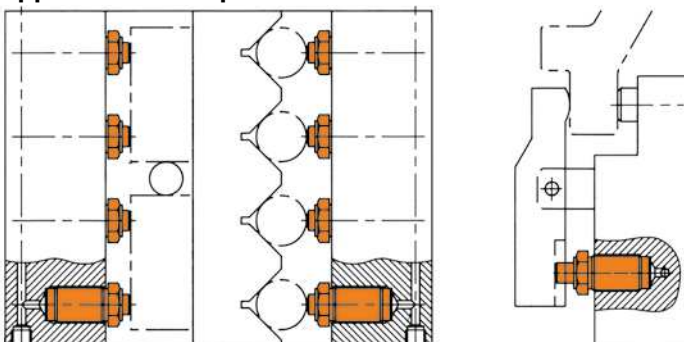
Pistons of these cylinders must not be loaded in retracted position. Care for protection against aggressive lubricants and coolants. The sealing surface of the mounting hole to the thread must be at a right angle and even. For sizes 02x05 and 02x10, a internal stop for the piston is not possible due to the construction size. Therefore, do not operate the threaded cylinder without workpiece, as the spring could be damaged or its spring force could be reduced.



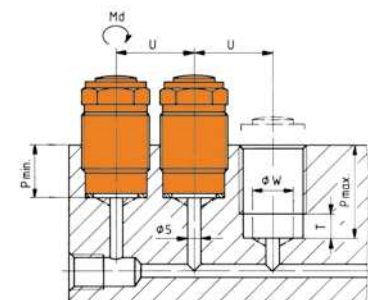
Dimensions:

Order no.	Article no.	A	B	C	dia. E	F	G	L	P min.	P max.	R	SW1	T max.	U min.	dia. W max.	DI-1 Seal Order No.
60095	6929-02x05	27,0	1,0	4	5	4	M12x1,5	29,0	12	23	6	11	-	15	-	120105
60103	6929-02x10	40,0	1,0	4	5	4	M12x1,5	42,0	12	36	6	11	-	15	-	120105
60046	6929-05	35,0	2,0	7	12	6	M22x1,5	38,5	16	29	25	19	8	25	12	182162
60053	6929-08	43,0	2,0	8	16	9	M26x1,5	46,5	20	34	35	24	9	30	16	182170
60061	6929-12	53,0	2,0	8	20	10	M30x1,5	56,5	24	43	50	30	9	38	20	182188
60079	6929-20	55,5	2,5	11	25	12	M38x1,5	60,0	28	44	70	36	11	45	25	182196
60087	6929-32	82,5	2,5	12	32	15	M48x1,5	87,5	42	68	100	46	13	57	30	182204

Application examples:



Installation dimensions:



Subject to technical alterations.