

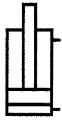
## No. 6951KZ

### Push-Pull Cylinder, top-flange-mounting, with guided piston rod

Double-acting,  
max. operating pressure 350 bar,  
min. operating pressure 35 bar.



CAD



Order no.	Article no.	Push force at 350 bar		Pull force at 350 bar		Stroke [mm]	Vol. push [cm³]	Vol. pull [cm³]	Q max. [l/min]	Weight [g]
		[kN]	[kN]	[kN]	[kN]					
66514	6951KZ-02-20	5,6	2,2	14,5	2,3	0,92	0,165	372		
66555	6951KZ-05-20	13,5	6,6	20,0	7,8	3,82	0,40	903		
66597	6951KZ-11-20	27,7	13,9	29,5	23,0	11,90	1,64	1520		

### Design:

Cylinder barrel from steel, hardened and burnished. Piston rod case hardened and chrome plated. Piston rod with internal thread and clamping arm positioning. O-ring for flange seal. Wiper at piston rod. Oil supply via threaded port or oil channel in fixture body.

### Application:

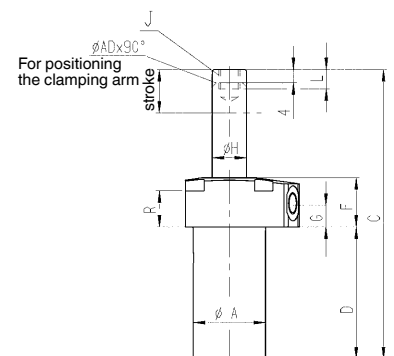
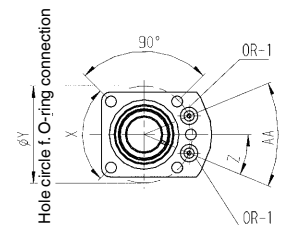
Universal Push-Pull Cylinder for various applications.

### Features:

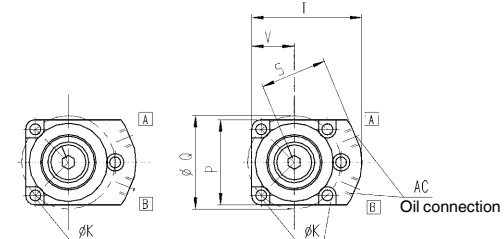
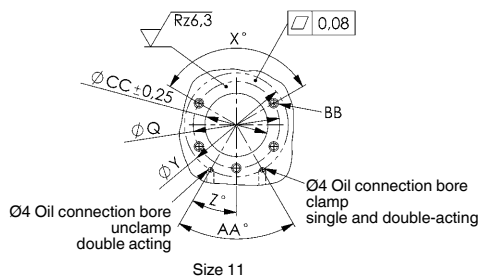
Each cylinder size is available for single or double-acting operation. Various thrust pieces can be attached in the tapped piston rod ends. Clamps can be attached, as with the swing clamps.

### Note:

The piston stroke is guided, respect Q max. volume flow. When mounting accessories at the piston, no force may be applied to the piston. When placing into operation, ensure that all air is bled from the system.



### Drilling template device:



Size 02, 05

Size 11

**A** = Pull  
**B** = Pressure

### Dimensions:

Order no.	Article no.	dia. A	C	D	F	G	dia. H	J	dia. K	L	P	dia. Q	R	S	T	V	X°	dia. Y	Z°	AA°	AC	ØAD	BB	dia. CC	OR-1 O-ring Order No.
66514	6951KZ-02-20	25	101,5	44,0	26	13,0	11,13	M6	6	7	45	40,0	18,0	31,0	47	15,5	120	42	30,0	60	G1/8	3,2	M5	26	183608
66555	6951KZ-05-20	36	134,0	64,5	27	13,0	15,88	M10	7	12	57	50,0	19,0	33,5	54	19,0	120	50	55,0	110	G1/8	4,8	M6	37	183608
66597	6951KZ-11-20	44	172,0	81,0	30	14,5	22,23	M12	9	13	55	59,4	22,1	42,0	71	27,5	90	62	22,5	45	G1/4	4,8	M8	45	183608

Subject to technical alterations.