

No. 6951KZP

Push-Pull Cylinder, top-flange-mounting, with guided piston rod

double acting,
max. operating pressure 350 bar,
min. operating pressure 35 bar.



CAD

Order no.	Article no.	Push force at 350 bar	Pull force at 350 bar	Stroke	Vol. push	Vol. pull	Q max.	Weight
		[kN]	[kN]		[cm ³]	[cm ³]		
327106	6951KZP-22-20	54	26	28	43,3	21,2	2,5	2590
327098	6951KZP-33-20	80	40	30	68,4	34,3	2,5	4355

Design:

Cylinder barrel from steel, hardened and burnished. Piston rod hardened and chrome plated. Piston rod with internal thread. O-ring for flange seal. Wiper at piston rod. Oil supply via threaded connection or oil channel in the fixture body.

Application:

Universal Push-Pull Cylinder for various applications.

Features:

Various thrust pieces can be attached in the tapped piston rod ends. Clamps can be attached, as with the swing clamps.

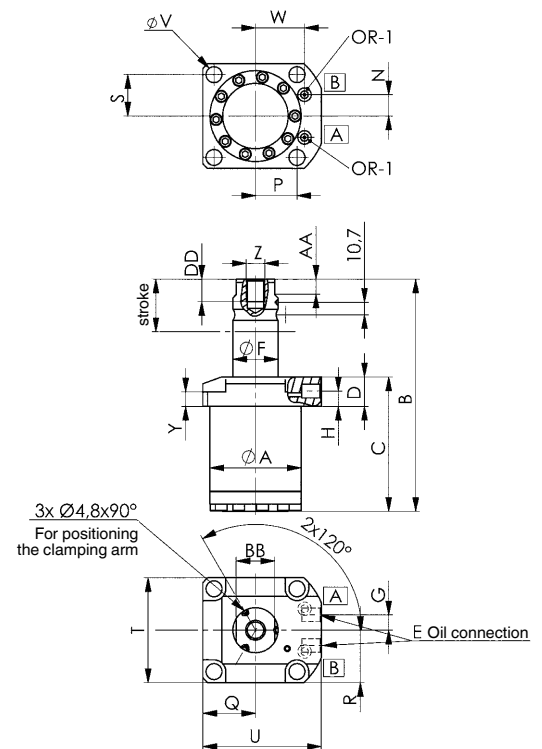
Advantage:

- Increase in the number of balls and slots to 3 to achieve a higher positioning accuracy and repetition accuracy. Also prolongs service life.
- More precise guidance
- contact force of balls into groove increased, thus guaranteeing highly-precise guidance over a long period of use.
- V-profile of the ball running groove guarantees a deeper ball run in the groove wall than at the groove edge.
- New materials for prolonging the service life of piston rod and guide.

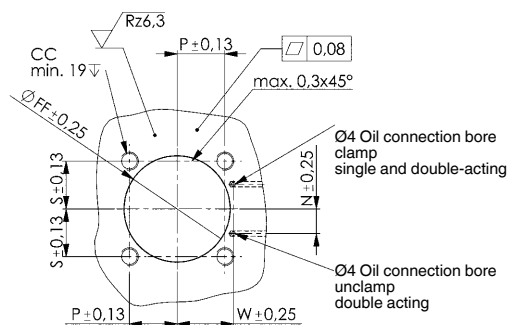
Note:

The piston is guided, therefore, the max. permissible oil flow rate Q max must be observed in order to protect the mechanism. No force must be introduced at the piston when mounting accessory. The system has to be completely vented during installation.

To control the oil feed, the throttle/check valve no. 6916-12-04 can be optionally used.



Drilling template device:



A = Pull
B = Pressure

Dimensions:

Order no.	Article no.	dia. A	B	C	D	E	dia. F	G	H	N	P	Q	R	S	T	U	dia. V	W	Y	Z	AA	BB	CC	DD	dia. FF	OR-1 O-ring Order No.
327106	6951KZP-22-20	62,8	185,5	104,5	25	G1/4	31,74	13	13	14,5	27,4	35,5	35,5	27,4	71	85,5	10,7	35,1	13,0	M16	12,5	26,5	M10	19	63,4	183608
327098	6951KZP-33-20	77,0	196,5	114,0	25	G1/4	38,09	13	13	18,1	35,1	44,5	44,5	35,1	89	100,0	13,5	41,4	12,5	M16	12,5	32,5	M12	19	77,6	183608

Subject to technical alterations.