

## No. 6990

### Quick Disconnect Coupler

- galvanized.
- 6990-G1/4 Sleeve and connector
- 6990-G1/4M Sleeve with external thread
- 6990-G1/4M IG sleeve with internal thread
- 6990-G1/4S connector
- 6990-G1/4BS dummy plug



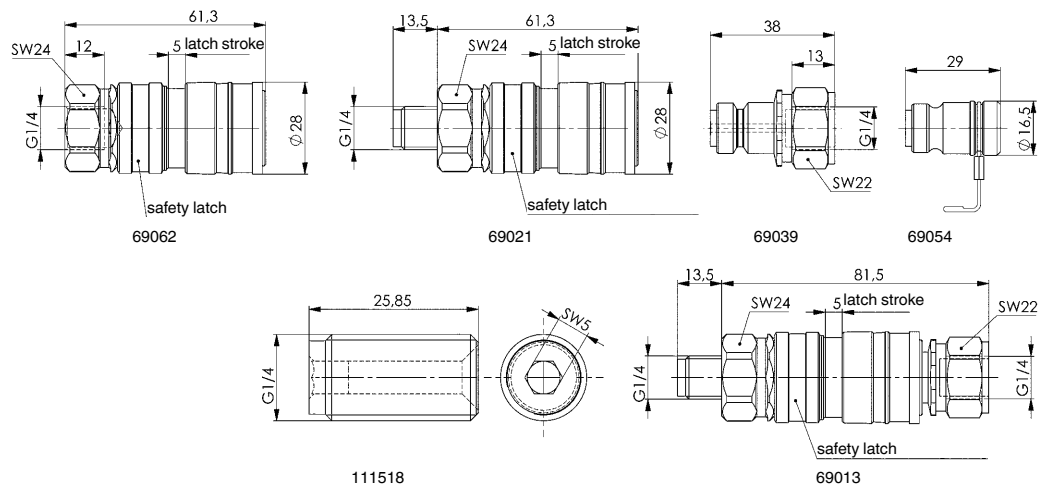
Order no.	Article no.	Operating pressure [bar]	NG	Nominal flow [l/min]	SW [mm]	Md [Nm]	Weight [g]
69013	6990-G1/4	1000	2,5	6	22/24	40 - 50	250
69021	6990-G1/4M	1000	2,5	6	24	40 - 50	190
69062	6990-G1/4M-IG	1000	2,5	6	24	40 - 50	190
69039	6990-G1/4S	1000	2,5	6	22	40 - 50	60
69054	6990-G1/4BS	-	-	-	-	-	40
111518	6990-G1/4A	-	5	-	5	-	19

#### Design:

Galvanized housing. The socket and plug are locked automatically in uncoupled state. Plastic dust caps are supplied as standard for the socket and the plug.

#### Features:

The hydraulic quick-release couplings for the high pressure area are easy to use, safe and reliable. It is a drip-free coupling that protects both the environment and the hydraulic system. The safety latch is standard and offers additional safety. It prevents accidental decoupling.



## No. 6990MK/SK

### AI Protection MK/SK

- for quick-release coupling.
- 6990-G1/4MK AI protective cap for sleeve
- 6990-G1/4SK AI protective cap for connector



Order no.	Article no.	Weight [g]
65508	6990-G1/4MK	21
65524	6990-G1/4SK	14

#### Design:

Case from aluminium, with retainer.

#### Note:

Aluminium protective cap prevents contamination of sleeve and connector.

## No. 6906

### Hydraulic oil



Order no.	Contents [ml]	Weight [g]
464081	5000	4300

#### Design:

Hydraulic oil in plastic canister.

#### Application:

For all AMF pressure generators.