

## No. 6994S

### Plug connection

max. operating pressure 500 bar.



Order no.	Article no.	Nominal bore [NW]	Ambient temp. [°C]	Weight [g]
554415	6994S-03	3	150	4
554416	6994S-05	5	150	6
554417	6994S-08	8	150	13
554418	6994S-10	10	150	20
554419	6994S-12	12	150	25
554420	6994S-16	16	150	30

### Design:

Housing made from stainless steel , seals made from FKM.

### Application:

For connecting two components at a short distance without using fittings. They are designed for pipeline and screwless pressure oil connection.

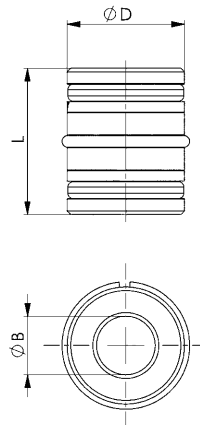
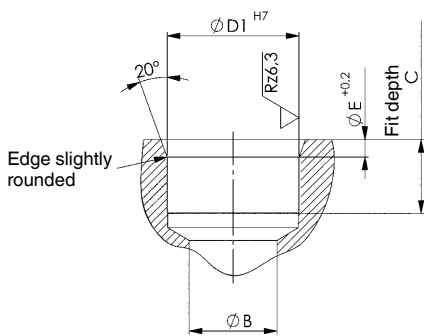
### Note:

The axially effective hydraulic force must be absorbed from the outside by force-locking or form-fit. The force must be determined using the formula  $f$ . separating force  $F [N] = \text{Factor} \times p [\text{bar}]$  (e.g. at NW3:  $F = 5 \times p$ ).

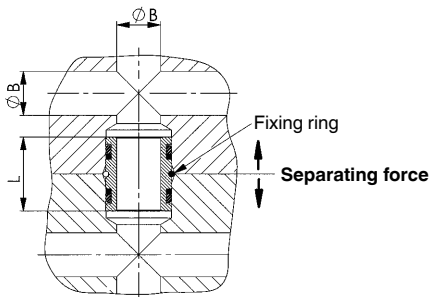
### On request:

Special sizes are available on request.

### Installation dimensions:



### Installation example:



### Separating force:

NW 3=F [N] = 5,0 x p [bar]  
 NW 5=F [N] = 7,9 x p [bar]  
 NW 8=F [N] = 15,4 x p [bar]  
 NW 10=F [N] = 20,1 x p [bar]  
 NW 12=F [N] = 25,5 x p [bar]  
 NW 16=F [N] = 38,0 x p [bar]

### Dimensions:

Order no.	Article no.	dia. B	dia. D	L	C min.	dia. D1 H7	ØE +0.2
554415	6994S-03	3	8	12	6	8	1,5
554416	6994S-05	5	10	14	7	10	1,5
554417	6994S-08	8	14	16	8	14	1,5
554418	6994S-10	10	16	20	10	16	2,4
554419	6994S-12	12	18	20	10	18	2,4
554420	6994S-16	16	22	22	11	22	3,2