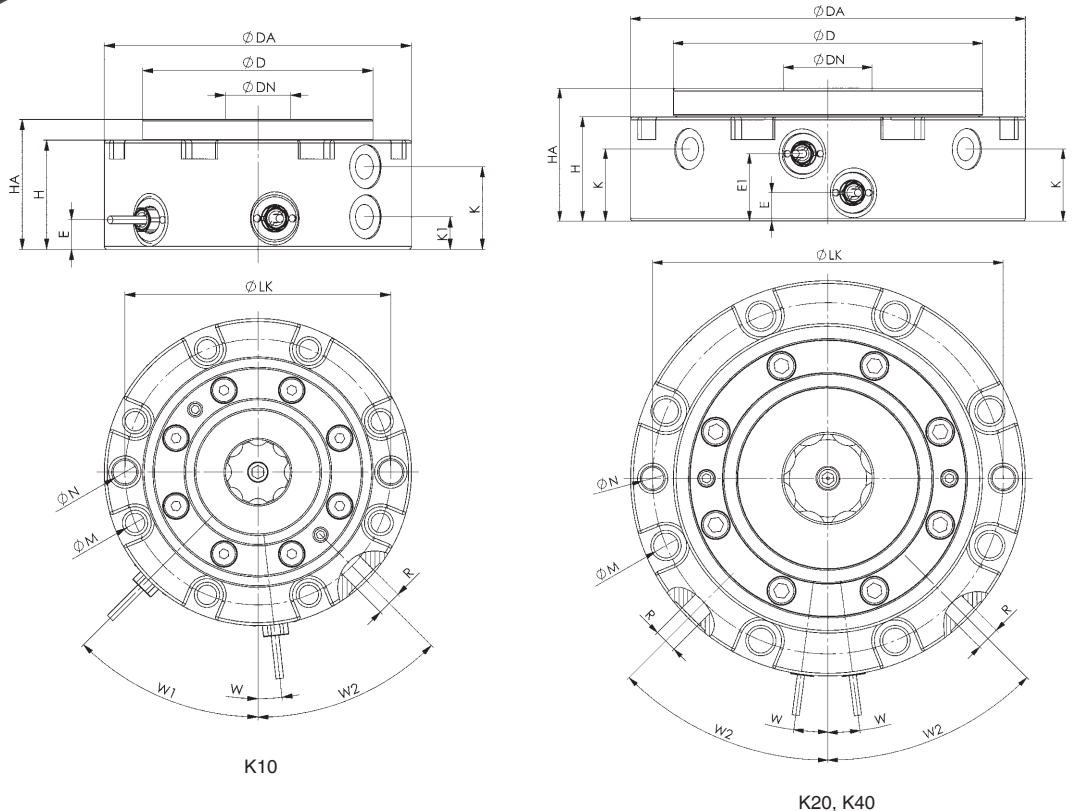
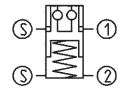


No. 6101L

Clamping module with sensor query for opening and interlock

Pneumatic opening.
 Opening operating pressure: min. 8 bar - max. 12 bar.
 Re-clamping operating pressure (turbo): min. 5 bar - max. 6 bar.
 Cover and piston hardened.
 Flange housing: Stainless steel
 Repetition accuracy < 0.005 mm.



Order no.	Size	Pull-in/locking force up to	Holding force*	Weight
		[kN]	[kN]	[Kg]
552963	K10	8	25	2,4
552964	K20	17	55	6,9
552965	K40	30	105	11,0

Application:

Zero-point clamping system for automation solutions for set-up-time-optimised clamping during cutting and non-cutting machining.

Note:

The installation clamping module with sensor query contains 2 inductive sensors (connection type: S8 plug, cable length: 150 mm) for status check (opened / locked). This is pneumatically opened (1) and mechanically locked through spring force. To achieve the specified pull-in and locking forces, it must be briefly retensioned pneumatically (turbo) (2). Subsequent uncoupling of the pressure lines is possible at any time (module is clamped pressure-free). Use of the pneumatic pressure booster no. 6370ZVL is recommended.

The clamping module has two connections:

- 1 = pneum. opening
- 2 = pneum. retensioning (turbo)

* Please observe the installation instructions.

Dimensions:

Order no.	Size	dia. D	dia. DA	dia. DN	E	E1	H	HA	K	K1	dia. LK	dia. M	dia. N H7	R	W	W1	W2
552963	K10	78	104	22	10,0	-	37	44	28	11	90	6,6	8	G1/8	6,4°	45°	45°
552964	K20	112	143	32	10,0	24	38	48	26	-	127	9,0	8	G1/8	7,5°	-	45°
552965	K40	148	188	40	13,6	31	47	62	32	-	168	11,0	10	G1/8	5,0°	-	45°



Subject to technical alterations.