

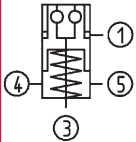
## No. 6103HA-20-05

### Installation clamping module for automation solutions

Hydraulic opening.  
 Pneumatic blow-out.  
 Opening operating pressure: min. 60 bar - max. 70 bar.  
 Cover and piston hardened.  
 Repetition accuracy < 0.005 mm.  
 With opening control (pneum.) and support control (pneum.).



INOX  
 STAINLESS STEEL



Order no.	Size	Pull-in/locking force up to [kN]	Holding force* [kN]	Blow out	Weight [Kg]
428409	K20	20	55	●	1,4

#### Design:

Centric blow-out, support control and opening control.

#### Application:

Zero-point clamping system for automation solutions for set-up-time-optimised clamping during cutting and non-cutting machining.

#### Note:

Opening control: Dynamic pressure with opened clamping module, flow-through with locked clamping module.

Support control via the blow-out function: Dynamic pressure with supported interchangeable pallet. The installation clamping module is opened hydraulically (1) and mechanically locked through spring force. Subsequent uncoupling of the pressure lines is possible at any time (module is clamped pressure-free).

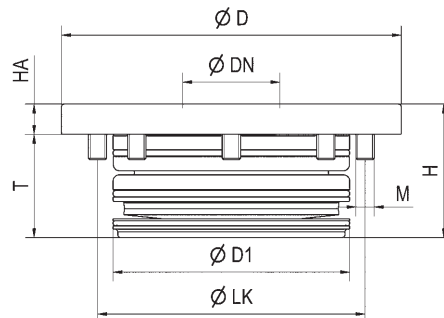
The clamping module has four connections:

- 1 = hydr. opening
- 3 = pneum. Blow-out and support control
- 4 = pneum. Opening control inlet
- 5 = pneum. Opening control outlet

\* Please observe the installation instructions.

#### On request:

- Installation diagrams



#### Dimensions:

Order no.	Size	dia. D	dia. DN	dia. D1	H	HA	M	dia. LK	T
428409	K20	112	32	78	44	10	M6	88	34

