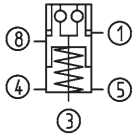


No. 6103LA-5

Installation clamping module for automation solutions, screw-in version

Pneumatic opening.
Pneumatic blow-out.

Opening operating pressure: min. 8 bar - max. 12 bar
Retensioning operating pressure (turbo): min. 5 - max. 6 bar
Cover and piston hardened.
Repetition accuracy < 0,005 mm.
With locking control (pneum.), opening control (pneum.) and support control (pneum.).



NEW!



Order no.	Size	Pull-in/locking force up to	Holding force*	Blow out	Weight
		[kN]	[kN]		
561992	K5	1,5	13	●	175

Design:

Centric blow-out, support control, opening and locking control.

Application:

Zero-point clamping system for automation solutions for set-up-time-optimised clamping during cutting and non-cutting machining.

Note:

Locking control: Dynamic pressure with locked clamping module, flow-through with opened clamping module.

Opening control: Dynamic pressure with opened clamping module, flow-through with locked clamping module.

The installation clamping module is opened pneumatically and locked mechanically by spring force. To achieve the specified pull-in and locking forces, it must be briefly retensioned pneumatically (turbo) (5).

Subsequent uncoupling of the pressure line is possible at any time (module is clamped at normal pressure).

The contact surface is the upper surface of the housing. It is recommended to use a pneumatic pressure booster no. 6370ZVL.

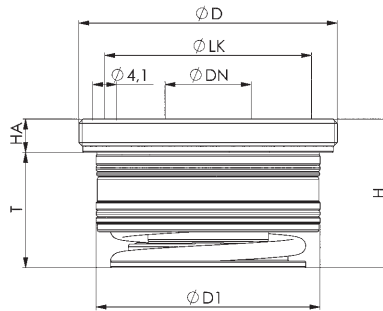
The clamping module has five connections:

- 1 = pneum. opening
- 3 = pneum. blow-out
- 4 = pneum. Opening control inlet
- 5 = pneum. Retensioning
- 8 = pneum. locking control, inlet

* Please observe the installation instructions.

On request:

- Installation drawings



Dimensions:

Order no.	Size	dia. D	dia. DN	dia. D1	H	HA	dia. LK	T
561992	K5	M45 x 1	15	39	25,8	5,8	36	20

