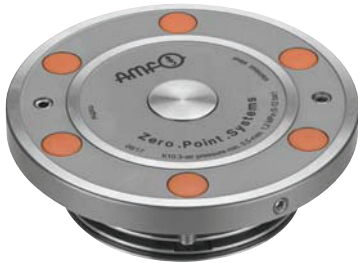
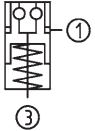


## No. 6111LA-10-01

### Installation clamping module with central lock for automation solutions

Pneumatic opening.  
 Pneumatic blow-out.  
 Opening operating pressure: min. 5 bar - max. 12 bar.  
 Cover and piston hardened.  
 Repetition accuracy < 0.005 mm.



Order no.	Size	Pull-in/locking force up to	Holding force*	Blow out	Weight
		[kN]	[kN]		
559390	K10.3	10	25	●	1,4

#### Application:

Zero-point clamping system for automation solutions for set-up-time-optimised clamping during cutting and non-cutting machining.

#### Note:

The central lock actuated by spring force for protection of the clamping module. The pull-stud is fastened and installed with a DIN ISO countersunk head screw M8. Support control via the blow-out function: Dynamic pressure with supported interchangeable pallet. The clamping module is opened pneumatically and locked mechanically by spring force. Subsequent uncoupling of the pressure line is possible at any time (clamping module is clamped at normal pressure).

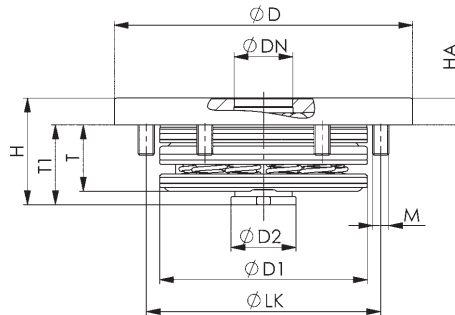
The clamping module has two connections:

- 1 = pneum. opening
- 3 = pneum. blow-out

\* Please observe the installation instructions.

#### On request:

- Installation diagrams



#### Dimensions:

Order no.	Size	dia. D	dia. DN	dia. D1	dia. D2	H	HA	dia. LK	M	T	T1
559390	K10.3	112	22	78	25	40	10	88	6 x M6	25	30

