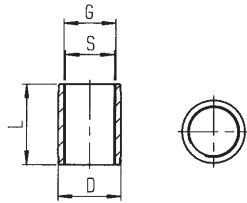


No. 6363-**-005

Centring sleeve, cylindrical

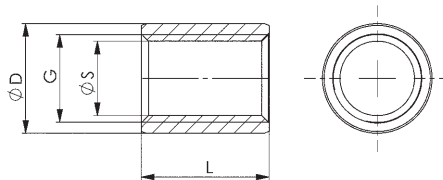
Order no.	Size	dia. D	G	L -0.2	dia. S	Weight [g]
78006	12	16 +0,011/0	R1/4	20,5	12,5	9
78238	16	22 +0,015/+0,002	M18	16,5	25	



No. 6210-15-01

Centering sleeve Ø 15

Order no.	Size	dia. D	G	L -0.2	dia. S	Weight [g]
535732	15	15 +0,011/0	M12	17,4	10,1	12



CAD



No. 6210-XX

Centring pin

Order no.	dia. D	dia. D1	dia. D2	L	L1	Weight [g]
550198	22	15	8,5	20	14	28
559933	25	16	12,5	16	11	21
550197	32	16	12,5	18	11	36



Application:

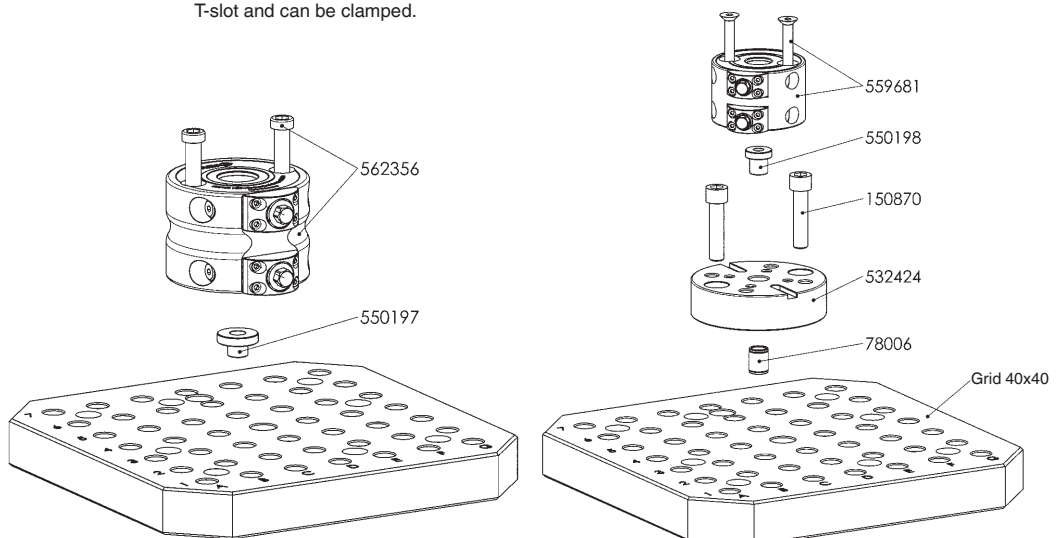
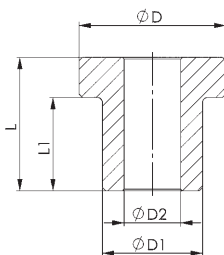
To position the double clamping modules on a clamping plate with clearance holes or a foot element from the „Modular height adapter“ AMF clamping system.

Advantage:

Highly-precise positioning of the double clamping module.

Note:

The centring pin is used when the double clamping module is not yet positioned with a pull-stud for T-slot and can be clamped.



CAD



Subject to technical alterations.