

No. 6210ZN

Pull-stud for T-slots

Order no.	Size	A	dia. DN	G	H	L	Weight [g]
550438	K10	10	22	M8	16	30	48
550439	K10	12	22	M8	16	35	51
550440	K10	14	22	M8	16	35	54
550441	K20	14	32	M12	23	45	143
550442	K20	16	32	M12	23	45	147
550443	K20	18	32	M12	23	50	157

### Application:

The pull-stud for T-slots enables the AMF zero-point clamping system to be positioned and clamped directly to the machine table by means of clamping slots.

These pull-studs can be used for pneumatic, hydraulic and mechanical clamping modules, and also for mechanical double clamping modules.

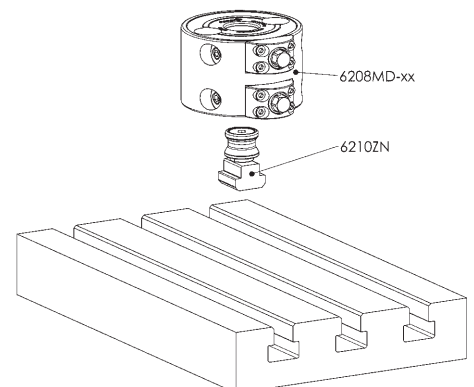
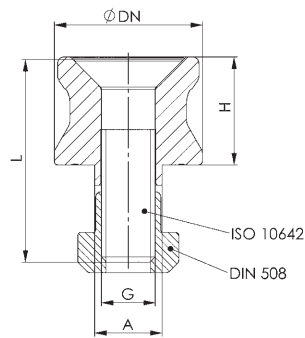
### Advantage:

Simple, quick and flexible clamping of workpieces on the machine table with varying clearances of the pull-stud bores.

### Note:

Supplied as standard is, as shown:

- zero point pull-studs with slot (dimension A)
- T-nut
- countersunk head screw (strength class 10.9)



Subject to technical alterations.

