

No. 6370ZNSN

Compensation pull-stud

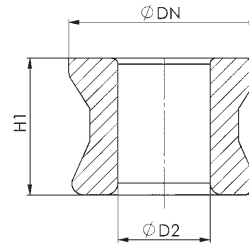
Hardened, for hydraulic and pneumatic clamping modules.



Order no.	Size	dia. DN	dia. D2	H1	Weight [g]
340059	K10	21,8	12,0	16	25
305912	K20	31,8	15,5	23	80
426882	K40	39,8	20,0	29	160

Note:

The compensation pull-stud is supported by bearings to make it radially mobile and is used when large distance and angle tolerances have to be compensated between the pull-stud holes. The pull-stud only has a holding function and does not absorb a lateral load.



No. 6370ZNSSN

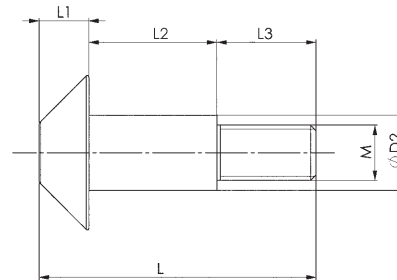
Engagement screw

Strength class 12.9.

Suitable for compensation pull-stud no. 6370ZNSN.



Order no.	Size	Holding force [kN]	dia. D2	L	L1	L2	L3	M	SW	Weight [g]
340034	K10	10	11,0	34	6	16,1	11,9	M8	6	24
305938	K20	20	13,5	50	9	23,1	17,9	M10	10	55
426908	K40	30	17,0	59	10	29,1	19,9	M12	12	100



No. 6102ZN

Pull-stud for high-end clamping module „Turbine“

Hardened, for hydraulic high-end clamping module article no. 6102H.



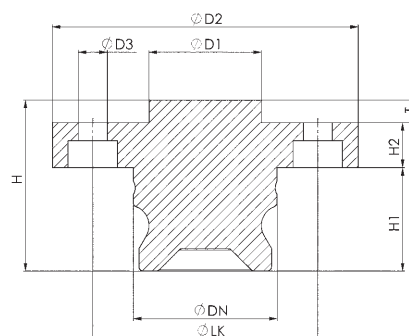
Order no.	Size	dia. DN	dia. D1	dia. D2	dia. D3	dia. LK	H	H2	H1	T	Weight [g]
426502	K23	32,0	25	68	6,4	50	38	23	10	5	370
426528	K23	32,0	25	68	6,4	50	38	23	10	5	370
426544	K23	31,8	25	68	6,4	50	38	23	10	5	370

Design:

Order no. 426502: zero point pull-stud

Order no. 426528: timing pull-stud

Order no. 426544: undersize pull-stud



Subject to technical alterations.