

No. 6370ZNM

Pull-stud nut

Strength class 10.
Suitable for pull-stud no. 6370ZN.



Order no.	Size	Holding force [kN]	M	SW	H	Weight [g]
429969	K 5	8,5	M6	10	6	3
429985	K10	17,0	M8	14	8	8
430009	K20	43,0	M12	21	14	26
430025	K40	75,0	M16	28	17	50

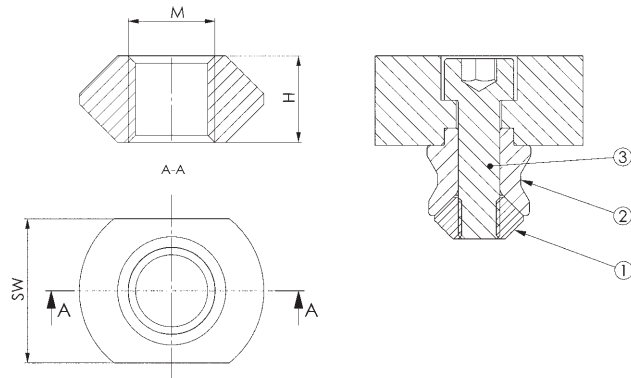
Application:

Pull-stud nut for fastening the pull-stud.

Note:

By gluing the pull-stud nut in the pull-stud with medium-strength adhesive, the nut is kept from turning when loosening the cylinder screw.

- 1 = Pull-stud nut
- 2 = Pull-stud
- 3 = Cylinder screw



CAD



No. 6370ZNS-002

Horizontal engagement screw

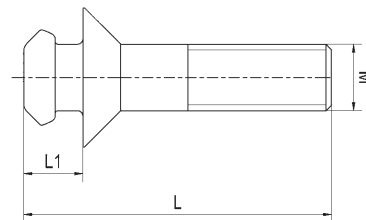
Strength class 12.9.



Order no.	Size	Holding force [kN]	L	L1	M	SW	Weight [g]
303248	K20	20	56	10,5	M12	8	100
303255	K40	45	73	13,0	M16	10	200

On request:

Horizontal engagement screws in various lengths and materials (e.g. STAINLESS STEEL).



CAD

