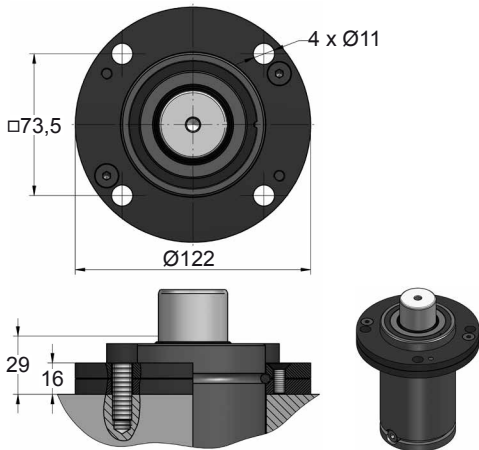
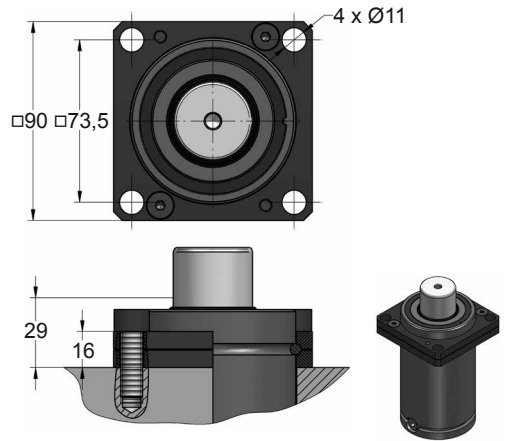
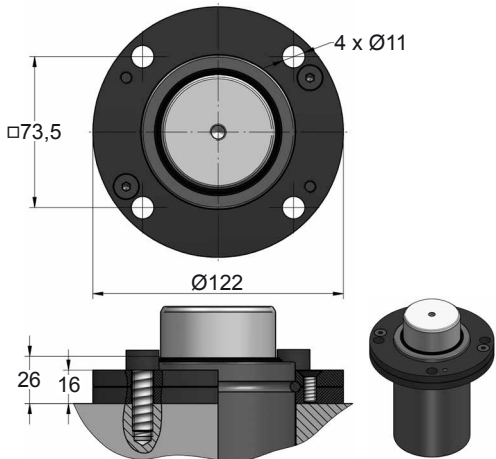
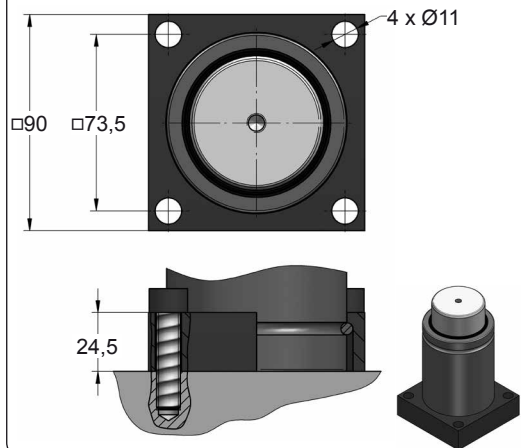
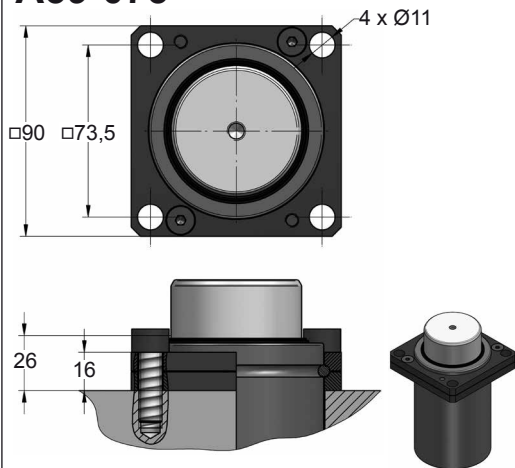


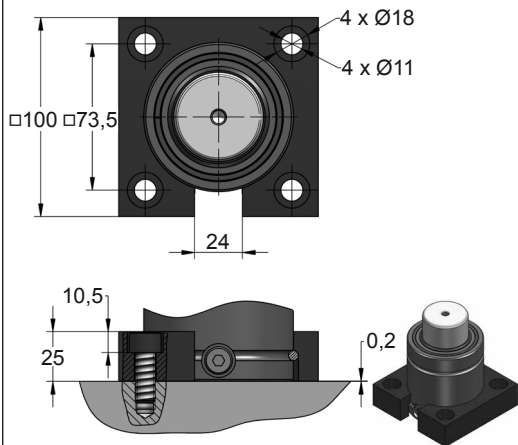
BRIDAS Ø 75**A14-075****A34-075****A49-075****A54-075**

A59-075

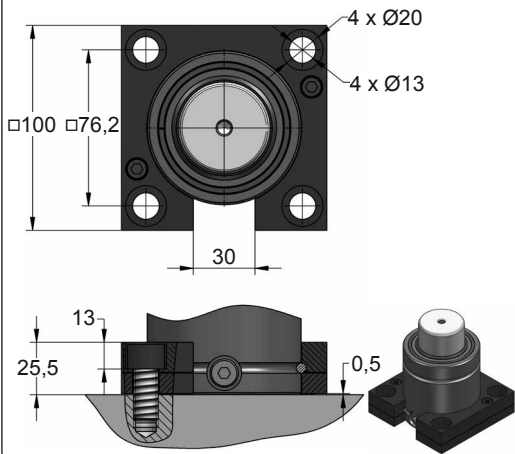


AX9-075

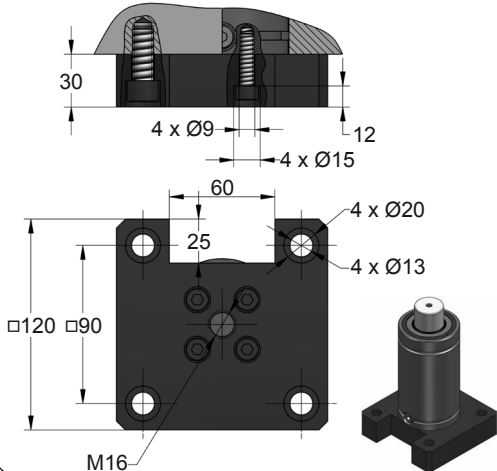
E24.54.815.G

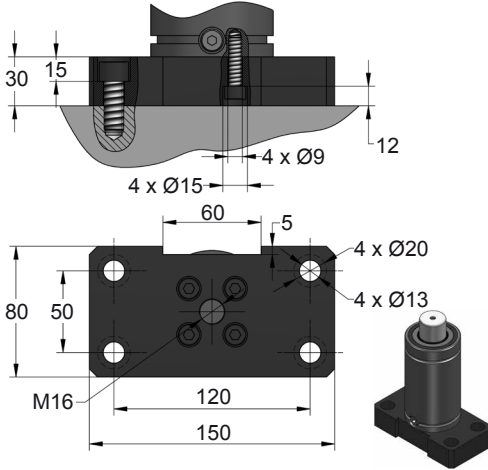

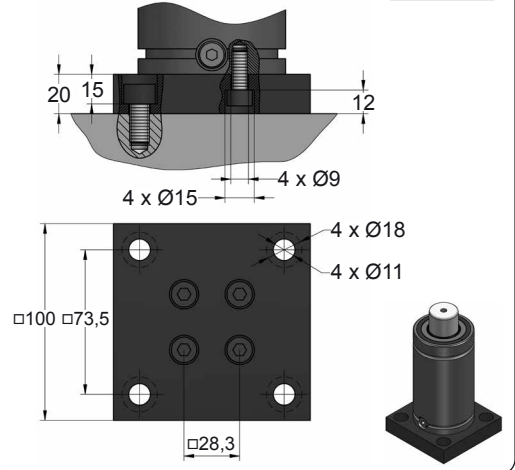
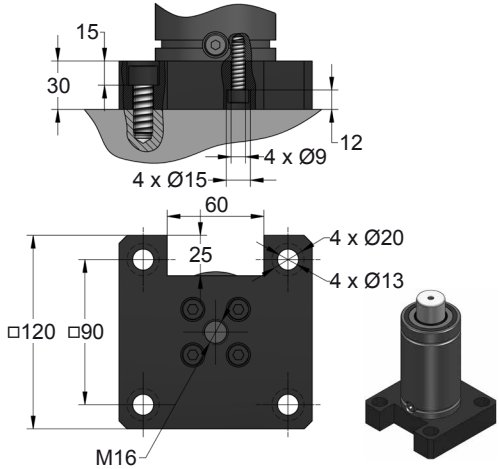
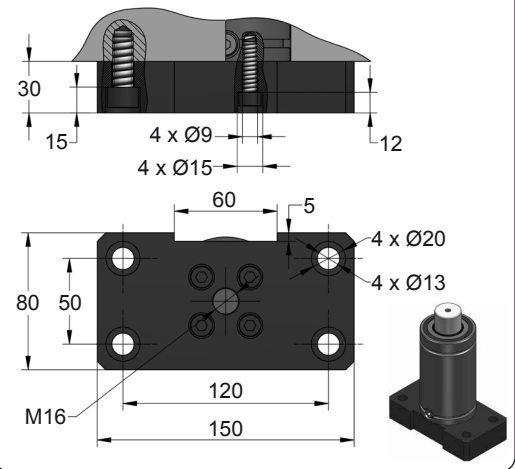


AY4-075

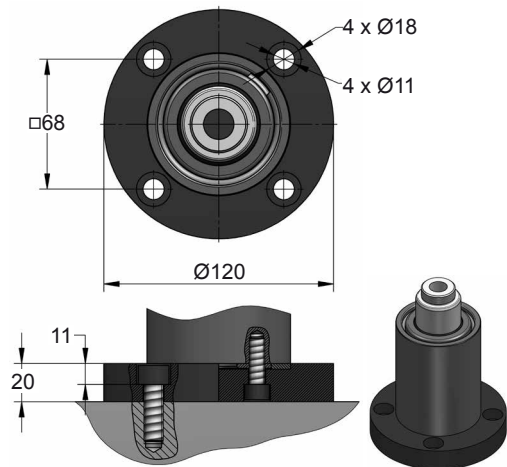


B13-075



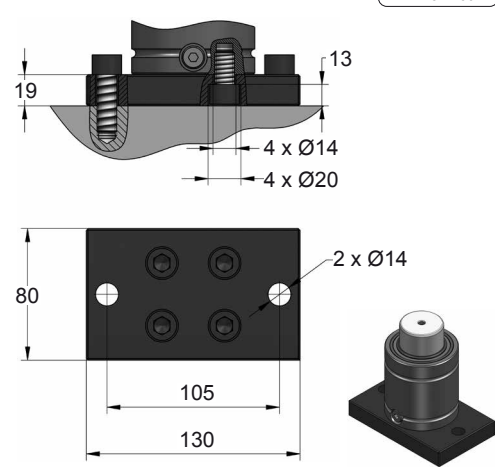
BRIDAS Ø 75**B18-075****B21-075**
 EM24.54.700/F
**B23-075****B28-075**

B31-075

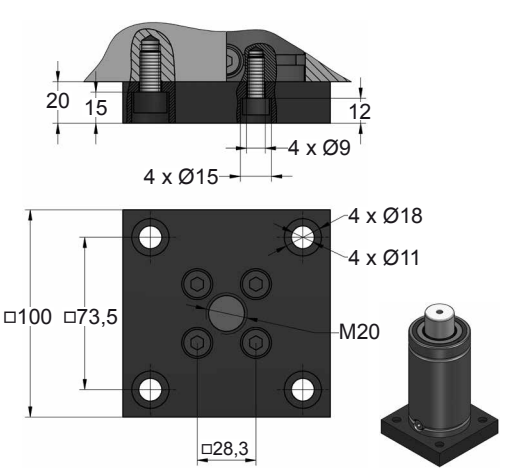


B33-075

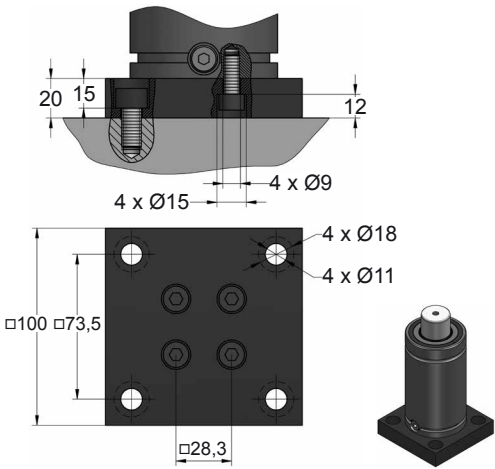
K32 D2
EM24.54.700/F

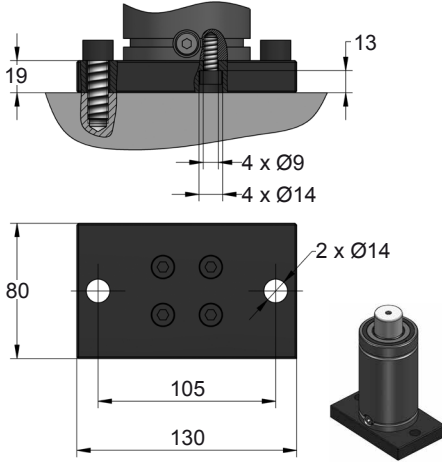


B36-075

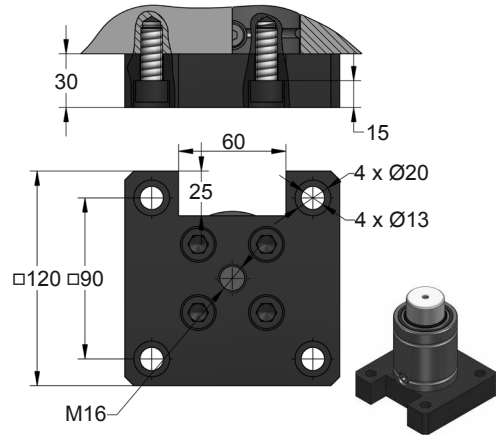


B41-075

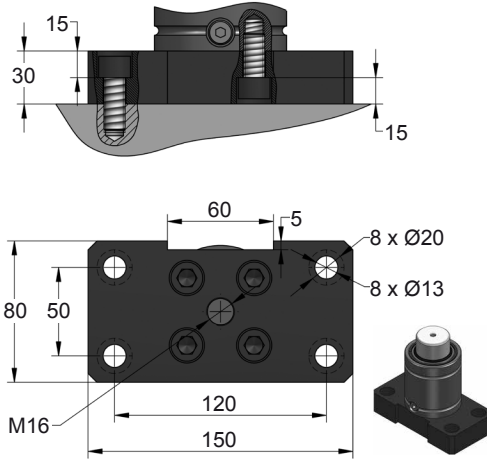


BRIDAS Ø 75**B43-075**K32 P0
EM24.54.700/F**B56-075**

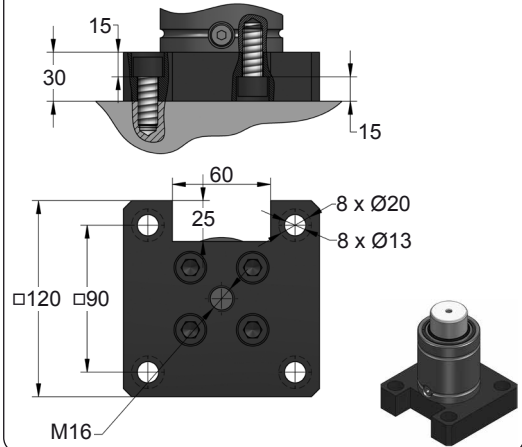
SMS DKH 3221n

**B61-075**

SMS DKH 3221n

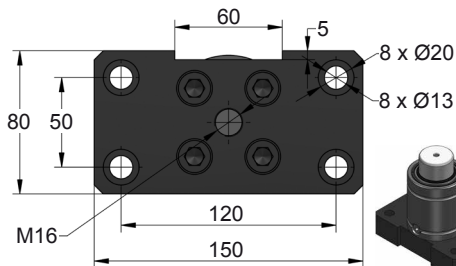
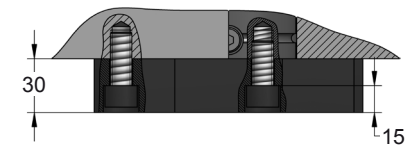
**B66-075**

SMS DKH 3221n



B71-075

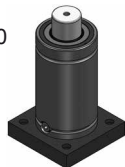
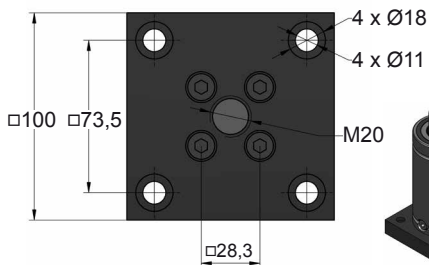
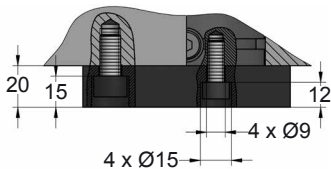
SMS DKH 3221n



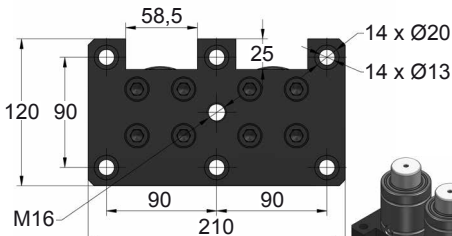
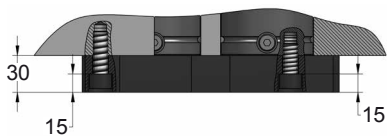
B76-075



E24.54.815.G
EM24.54.700/F

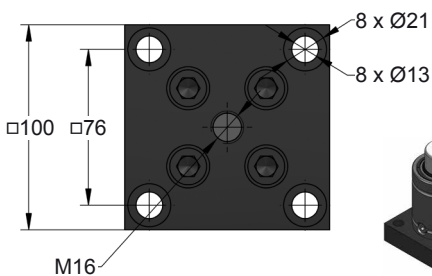
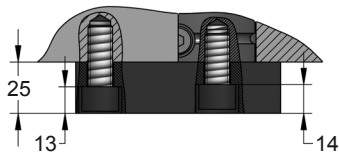


B88-075



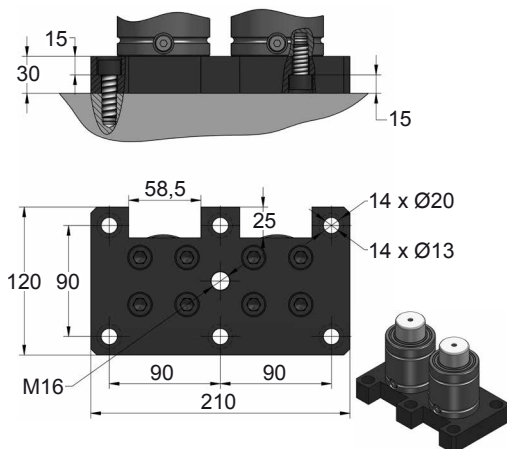
B91-075

E24.54.815.G

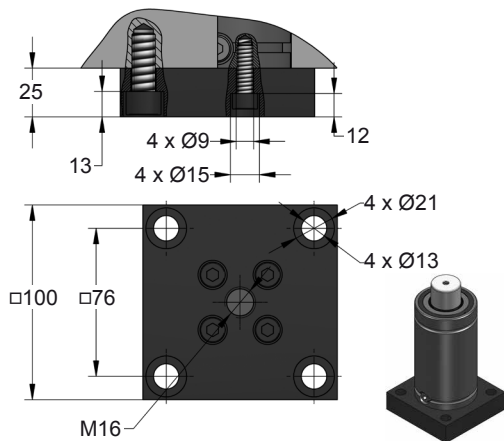


BRIDAS Ø 75

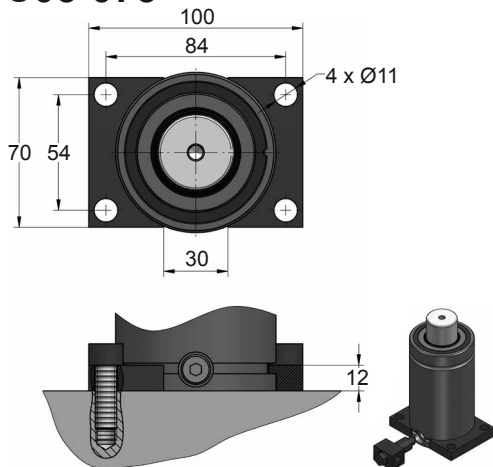
B93-075



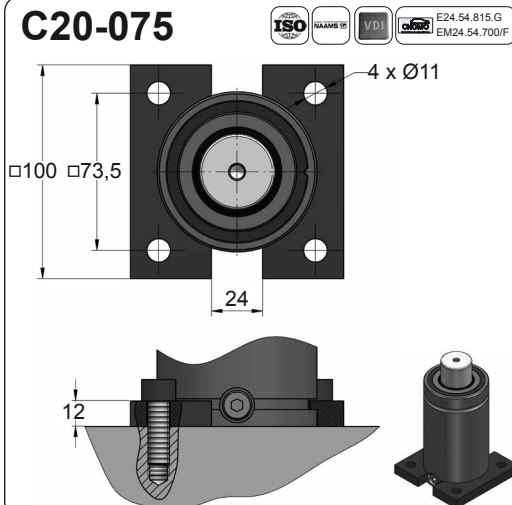
B98-075



C05-075

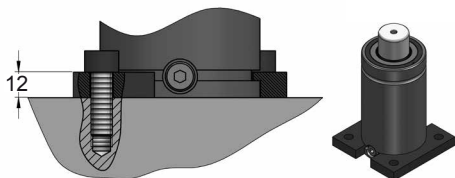
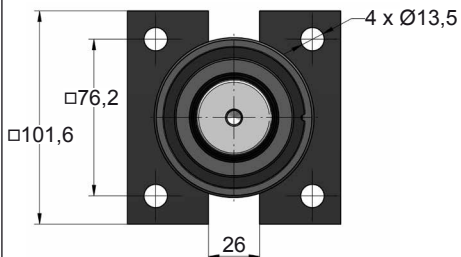


C20-075

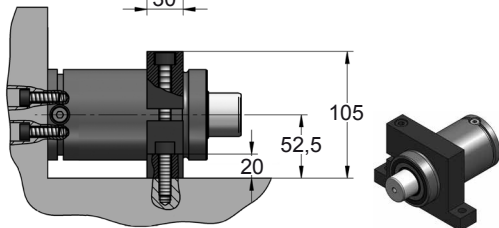
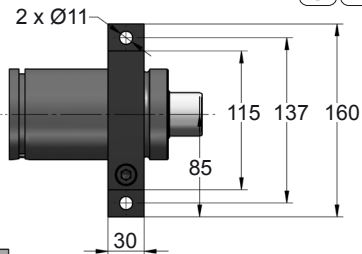


E24.54.815.G
EM24.54.700.F

CY0-075

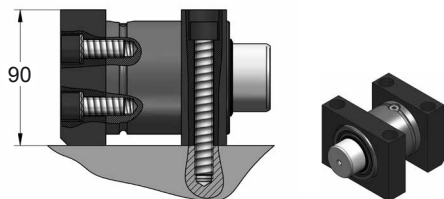
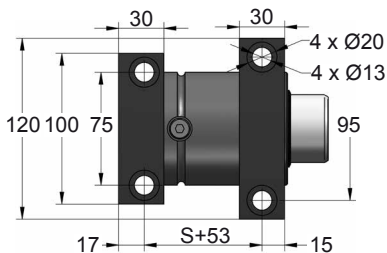


D02-075

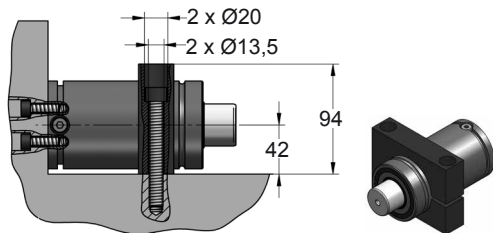
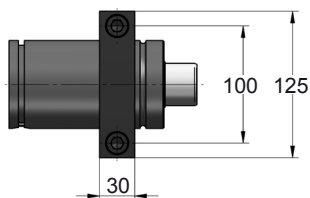


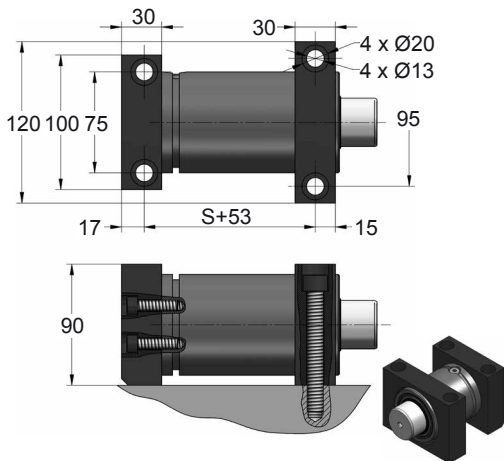
D47-075

SMS DNH 3203n



D67-075



BRIDAS Ø 75**D82-075****E33-075**