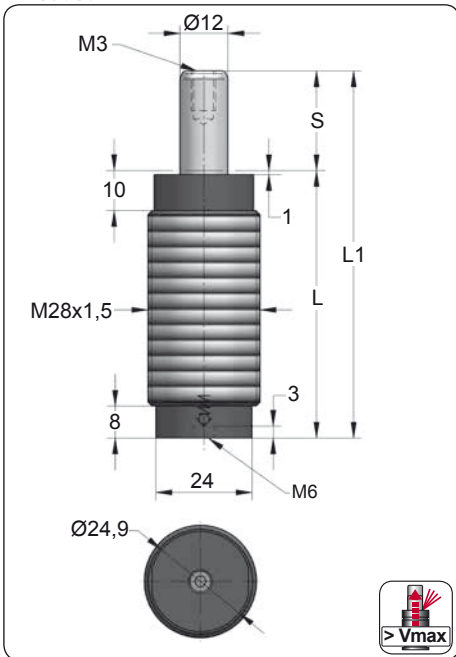
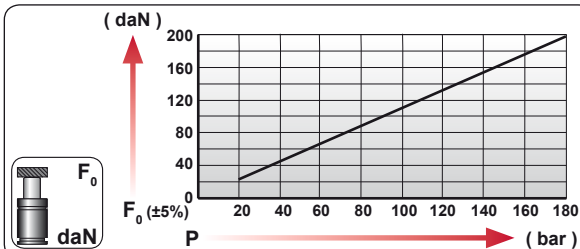


AS 200

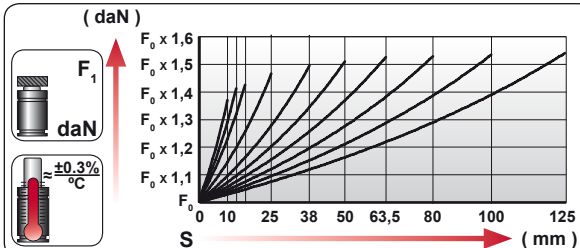
Threaded



| CODE | S (mm) | L1 ±0,25 (mm) | L (mm) | Kg. |
|------------|--------|---------------|--------|------|
| AS ... 010 | 10 | 62 | 52 | 0.19 |
| AS ... 012 | 12.7 | 67.5 | 54.7 | 0.20 |
| AS ... 016 | 16 | 74 | 58 | 0.21 |
| AS ... 025 | 25 | 92 | 67 | 0.23 |
| AS ... 038 | 38 | 118 | 80 | 0.27 |
| AS ... 050 | 50 | 142 | 92 | 0.30 |
| AS ... 063 | 63.5 | 169 | 105.5 | 0.34 |
| AS ... 080 | 80 | 202 | 122 | 0.39 |
| AS ... 100 | 100 | 242 | 142 | 0.45 |
| AS ... 125 | 125 | 292 | 167 | 0.52 |



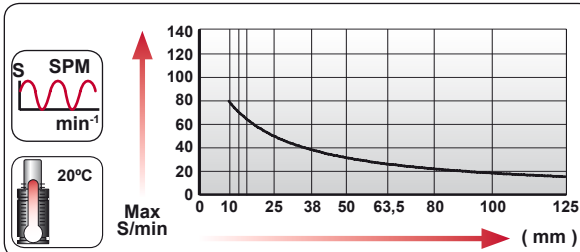
| CODE | COLOR | Pressure | | Force | |
|------------|--------|----------|------|-------|-----|
| | | bar | psi | daN | daN |
| AS 50 050 | Green | 45 | 650 | 50 | 75 |
| AS 100 050 | Blue | 90 | 1305 | 100 | 150 |
| AS 150 050 | Red | 135 | 1960 | 150 | 225 |
| AS 200 050 | Yellow | 180 | 2610 | 200 | 300 |



ENG ORDER
 DEU BESTELLUNG
 FRA COMMANDE
 ITA ORDINE
 ESP PEDIDO
 POR PEDIDO

F₀ daN
S mm

AS 200 50
AS 200 050



S_{max} < 90%

V_{max} 1,6 m/s

P_{min} (20°C)

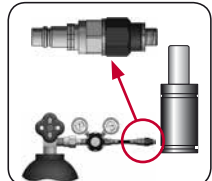
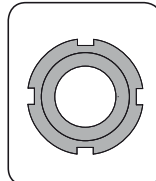
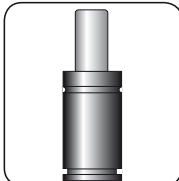
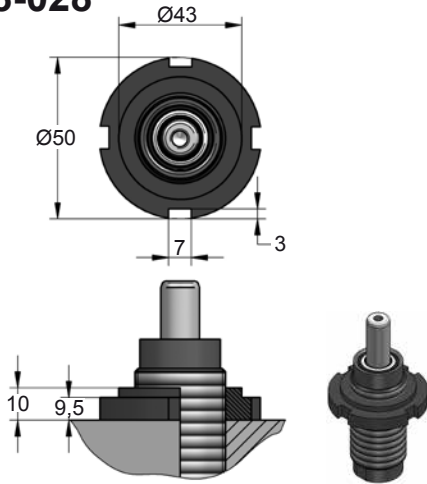
P_{max} (20°C)

T_{min}

T_{max}

| | | | | | | | |
|----------------|------------------------|--------------------------|---------|----------|-------|--------|----------|
| N ₂ | S _{max} < 90% | V _{max} 1,6 m/s | bar psi | bar psi | °C °F | °C °F | X |
| | | | 20 290 | 180 2610 | 0 32 | 80 176 | |

E58-028



| CODE | AS 200 050 | KIT S-XXXXXXX KIT C-XXXXXXX | E28-028 | 06 CG 2-Q |
|----------------|-------------------|--------------------------------|---------|----------------------|
| ENG ORDER | GAS SPRING | REPAIR KIT | FLANGE | CHARGING ADAPTER |
| DEU BESTELLUNG | GASDRUCKFEDER | ERSATZTEILSATZ | FLANSCH | LADEADAPTER |
| FRA COMMANDE | RESSORT À GAZ | KIT DE RÉPARATION | BRIDE | RACCORD DE CHARGE |
| ITA ORDINE | CILINDRO AD AZOTO | KIT DI MANUTENZIONE | FLANGE | ADATTATORE DI CARICO |
| ESP PEDIDO | RESORTE DE GAS | KIT DE REPARACION | BRIDA | ADAPTADOR DE CARGA |
| POR PEDIDO | CILINDRO DE GÁS | KIT DE MANUTENÇÃO | FLANGE | ADAPTADOR DE CARGA |