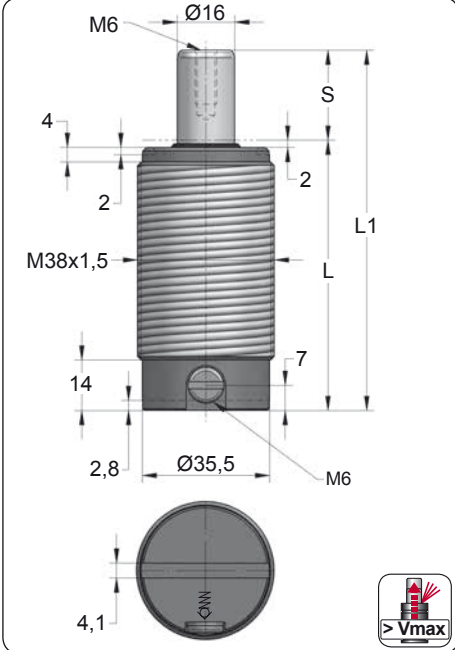
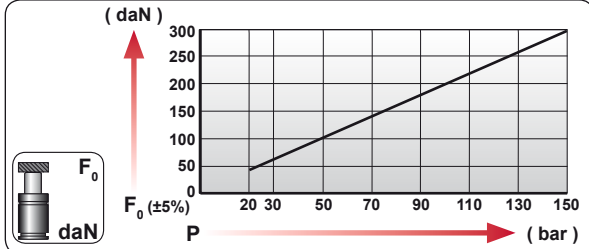


AS 300

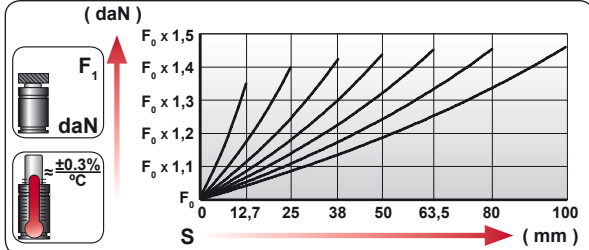
Threaded



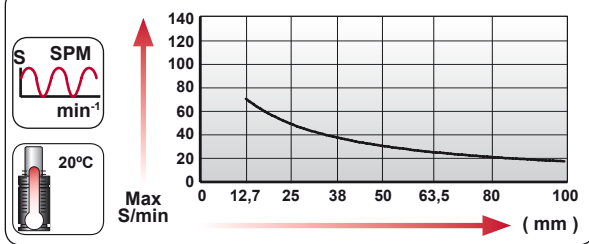
ORDER	S (mm)	L1 ±0,25 (mm)	L (mm)	Kg.
AS 300 012	12.7	75.4	62.7	0.41
AS 300 025	25	100	75	0.47
AS 300 038	38	126	88	0.54
AS 300 050	50	150	100	0.60
AS 300 063	63.5	177	113.5	0.67
AS 300 080	80	210	130	0.75
AS 300 100	100	250	150	0.85



CODE				
		bar psi	daN	daN
AS 300 050		150 2175	300	430
-----		---	---	---



	ENG ORDER DEU BESTELLUNG FRA COMMANDE ITA ORDINE ESP PEDIDO POR PEDIDO	F ₀ daN	S mm
AS 300 50		AS 300 050	



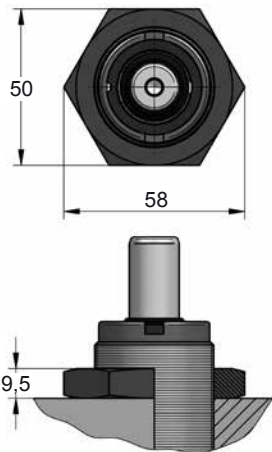
	S _{max} < 100%	V	P _{min} (20°C)	P _{max} (20°C)	T _{min}	T _{max}	
--	-------------------------	---	-------------------------	-------------------------	------------------	------------------	--

N ₂	S _{max} < 90%	V _{max} 1,6 m/s	bar psi	bar psi	°C °F	°C °F	
			20 290	150 2175	0 32	80 176	

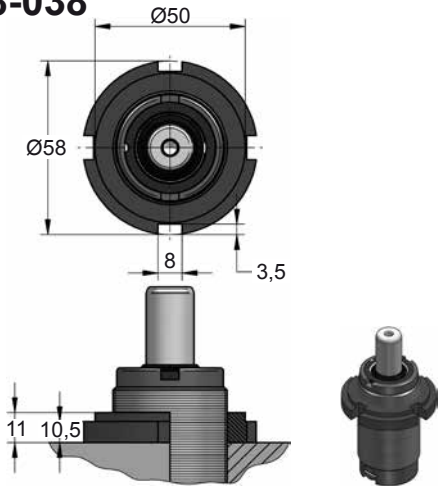
AS 300 MOUNTS

Threaded

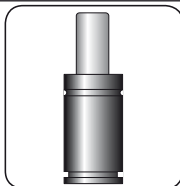
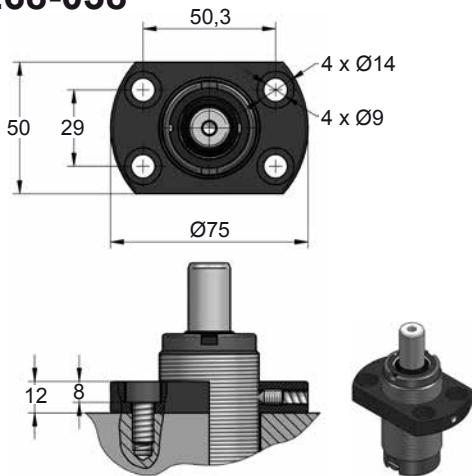
E23-038



E58-038



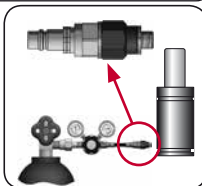
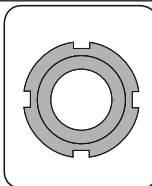
E68-038



SEAL
KIT S-XXXXXXX



CARTRIDGE
KIT C-XXXXXXX



CODE	AS 300 050	KIT S-XXXXXXX KIT C-XXXXXXX	E58-038	06 CG 2-Q
ENG ORDER	GAS SPRING	REPAIR KIT	FLANGE	CHARGING ADAPTER
DEU BESTELLUNG	GASDRUCKFEDER	ERSATZTEILSATZ	FLANSCHEN	LADEADAPTER
FRA COMMANDE	RESSORT À GAZ	KIT DE RÉPARATION	BRIDE	RACCORD DE CHARGE
ITA ORDINE	CILINDRO AD AZOTO	KIT DI MANUTENZIONE	FLANGE	ADATTATORE DI CARICO
ESP PEDIDO	RESORTE DE GAS	KIT DE REPARACION	BRIDA	ADAPTADOR DE CARGA
POR PEDIDO	CILINDRO DE GAS	KIT DE MANUTENÇÃO	FLANGE	ADAPTADOR DE CARGA