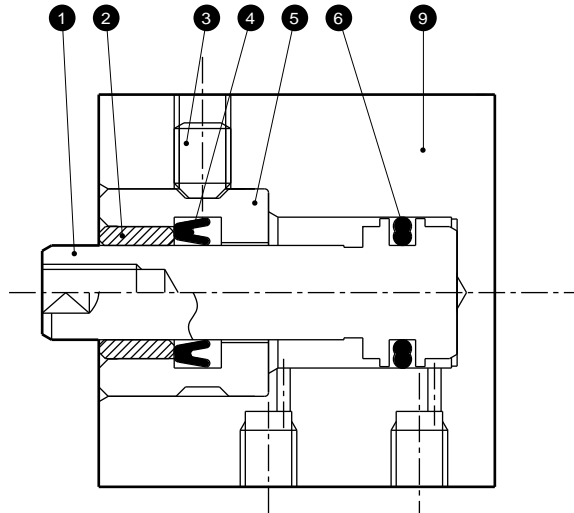


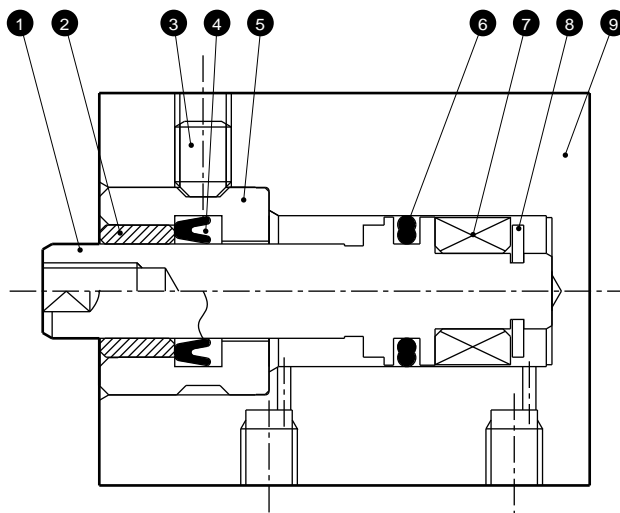
Internal structure and parts list

SCP*2
CMK2
CMA2
SCM
SCG
SCA2
SCS
CKV2
CA/OV2
SSD
CAT
MDC2
MVC
SMD2
MSD*
FC*
STK
ULK*
JSK/M2
JSG
JSC3
USSD
USC
JSB3
LMB
STG
STS/L
LCS
LCG
LCM
LCT
LCY
STR2
UCA2
HCM
HCA
SRL2
SRG
SRM
SRT
MRL2
MRG2
SM-25
CAC3
UCAC
RCC2
MFC
SHC
GLC
Ending

● MSD-6, 8



● MSD-L-6, 8

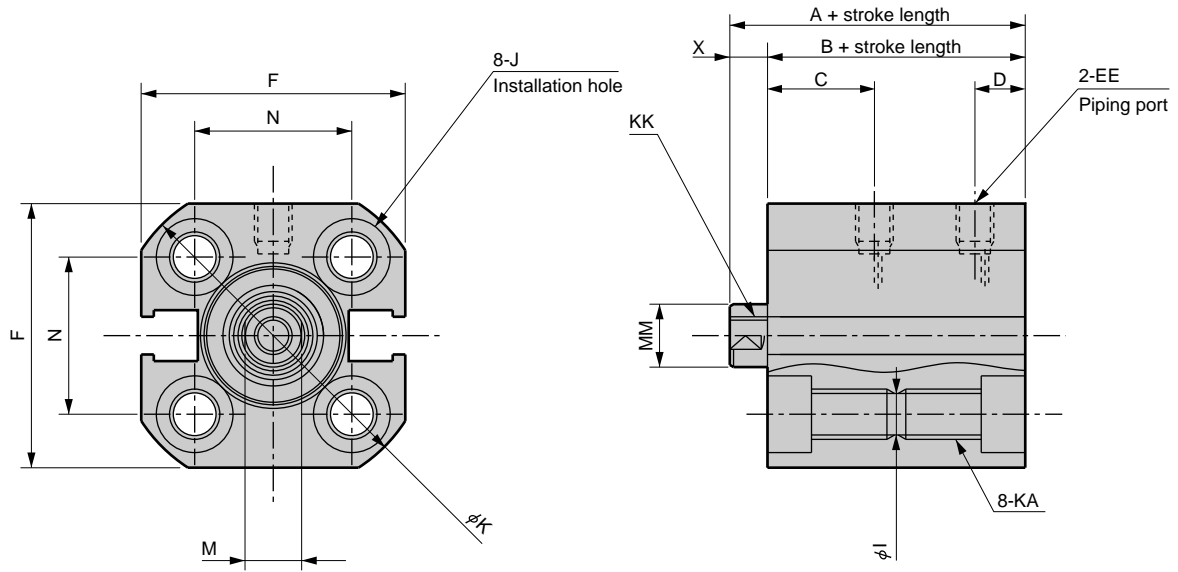


No.	Parts name	Material	Remarks	No.	Parts name	Material	Remarks
1	Piston	Stainless steel		6	Piston packing seal	Nitrile rubber	
2	Bush	Oil impregnated copper alloy		7	Magnet	Plastic	
3	Hexagon socket head set screw	Stainless steel		8	E type snap ring	Stainless steel	
4	Rod packing seal	Nitrile rubber		9	Body	Aluminum alloy	Hard alumite
5	Rod bushing	Stainless steel					

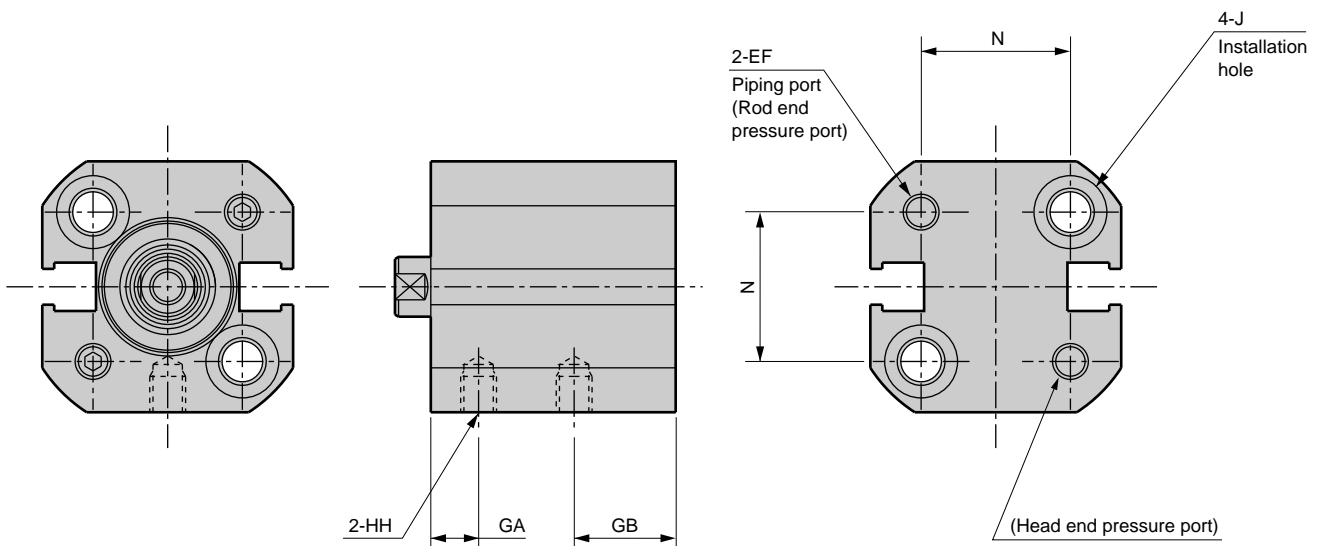
Dimensions



● MSD- (L)-6, 8



● MSD- (L)-6, 8-*R (rear common port)



- SCP*2
- CMK2
- CMA2
- SCM
- SCG
- SCA2
- SCS
- CKV2
- CA/OV2
- SSD
- CAT
- MDC2
- MVC
- SMD2
- MSD***
- FC*
- STK
- ULK*
- JSK/M2
- JSG
- JSC3
- USSD
- USC
- JSB3
- LMB
- STG
- STS/L
- LCS
- LCG
- LCM
- LCT
- LCY
- STR2
- UCA2
- HCM
- HCA
- SRL2
- SRG
- SRM
- SRT
- MRL2
- MRG2
- SM-25
- CAC3
- UCAC
- RCC2
- MFC
- SHC
- GLC

Ending

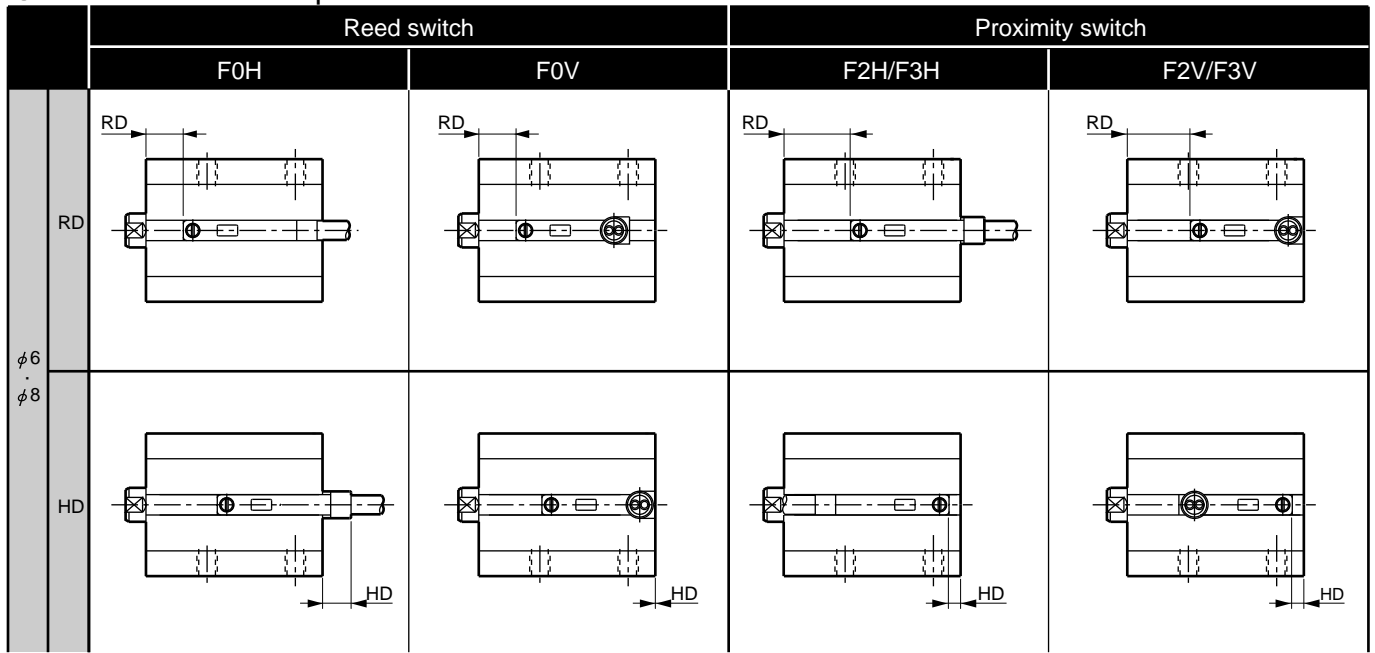
Small compact cylinder
Space saving structure

Bore size (mm)	Without switch		With switch		Without switch/common dimension with switch												
	A	B	A	B	C	D	EE	EF	F	GA	GB	HH	I	J	K	KA	
φ6	17.5	14.5	22.5	19.5	7.5	4	M3	M3	19	3	8.5	M3 depth 3	3.2	Spot face φ6.1 depth 3.5	22.5	M4 depth 6	
φ8	19	16	24	21	9	4	M3	M3	21	4.5	8.5	M3 depth 3	3.2	Spot face φ6.1 depth 3.5	25	M4 depth 6	

Bore size (mm)	Without switch/common part with switch				
	KK	M	MM	N	X
φ6	M2.5 depth 4	3.5	4	11	3
φ8	M3 depth 5	4.5	5	12.5	3

Switch installation position

● Switch installation position



● Switch installation position dimension

(mm)

Model	Bore size (mm)	Reed switch				Proximity switch			
		F0H		F0V		F2H/F3H		F2V/F3V	
		RD	HD	RD	HD	RD	HD	RD	HD
MSD-L	φ6	3.5	3.5	3.5	0.0	7.5	1.5	7.5	1.5
	φ8	5.5	4.0	5.5	0.0	9.5	1.0	9.5	1.0