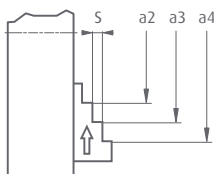
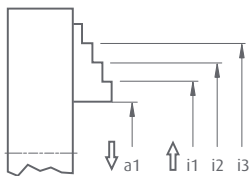
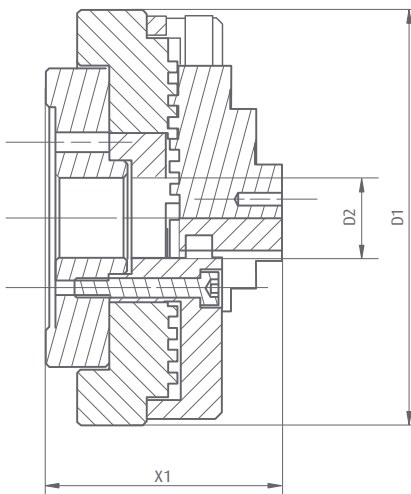


Description

General information about our dk precision three-jaw chucks

dk precision three-jaw manual chucks represent quality, precision and smooth operation. The compact design and use of aluminium for the 100 mm and 160 mm version bodies make the chucks easy and ergonomic to operate with metrology machines. The 34 mm to 100 mm sizes are fitted with reversible jaws, providing a wide clamping range for internal and external clamping. Exchange jaws are available as accessories with the 160 mm chuck. The diverse interfaces make the chucks compatible with the measurement fixating systems from dk.



Technical data

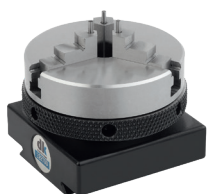
	34 mm	50 mm	65 mm	100 mm	160 mm
d1	35	52.5	65	106	162
d2	12	11	13	15	34
x1	18.5	37.5	37.5	47.5	80

Clamping range

	34 mm	50 mm	65 mm	100 mm	160 mm
i1	11-23	17-38	17-40	20-60	38-100
i2		35-50	35-50	40-80	90-160
i3				60-100	
a1	0-14	0-25	0-30	0-40	2.5-70
a2	20-32	20-40	20-45	28-60	42-120
a3		30-55	30-70	48-80	100-160
a4				68-100	
s	4.3	4	4	4.5	10

Interfaces

Interface	34 mm	50 mm	65 mm	100 mm	160 mm
SWA 39	329000	329705	329700	283220	330310
SWA 5	329010				
3 x M2	329030				
3 x M4		329720	329710		
4 x M6				283225	330315
Plate 30x30x8	329020				
MK 2		329725	329715		



SWA 39



3 x M4



MK 2



SWA 5

Application examples

