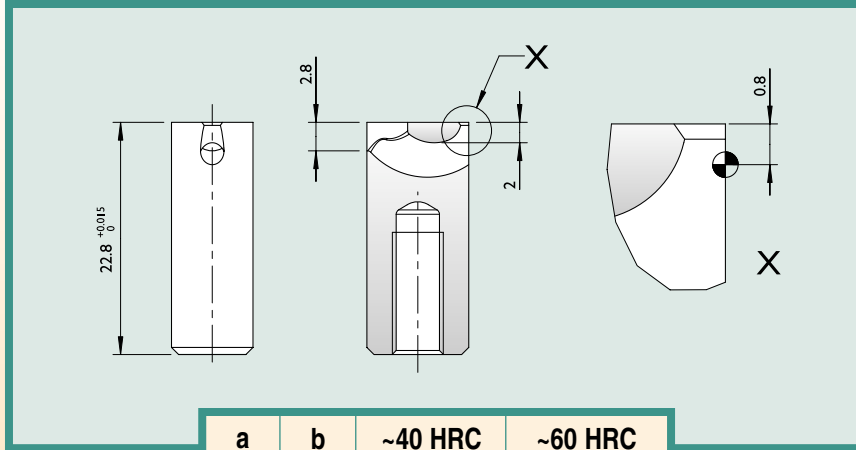




Cashew Gate Inserts

10mm
For shot weights up to 40g



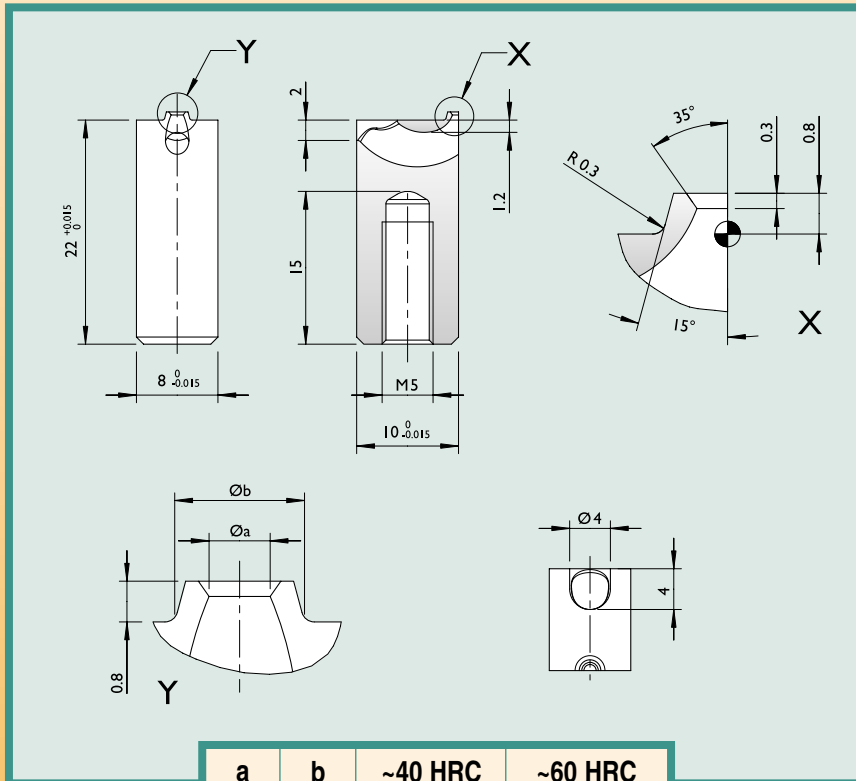
a	b	~40 HRC	~60 HRC
0,8	n/a	TGS10-08-S1-U	TGS10-08-S1-H
1,2	n/a	TGS10-12-S1-U	TGS10-12-S1-H
1,6	n/a	TGS10-16-S1-U	TGS10-16-S1-H

S1 Series



Actual Size

- Manufactured with a flat gate point allowing minor contour machining at the gate point.



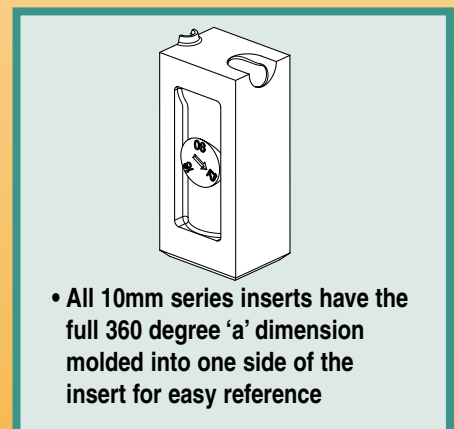
a	b	~40 HRC	~60 HRC
0,8	2,2	TGS10-08-S2-U	TGS10-08-S2-H
1,2	2,6	TGS10-12-S2-U	TGS10-12-S2-H
1,6	3,0	TGS10-16-S2-U	TGS10-16-S2-H

S2 Series



Actual Size

- Manufactured with a raised lip 'X&Y' at the gate point creating a tear mark below the surface of the part.



- All 10mm series inserts have the full 360 degree 'a' dimension molded into one side of the insert for easy reference

CAD files available at:

