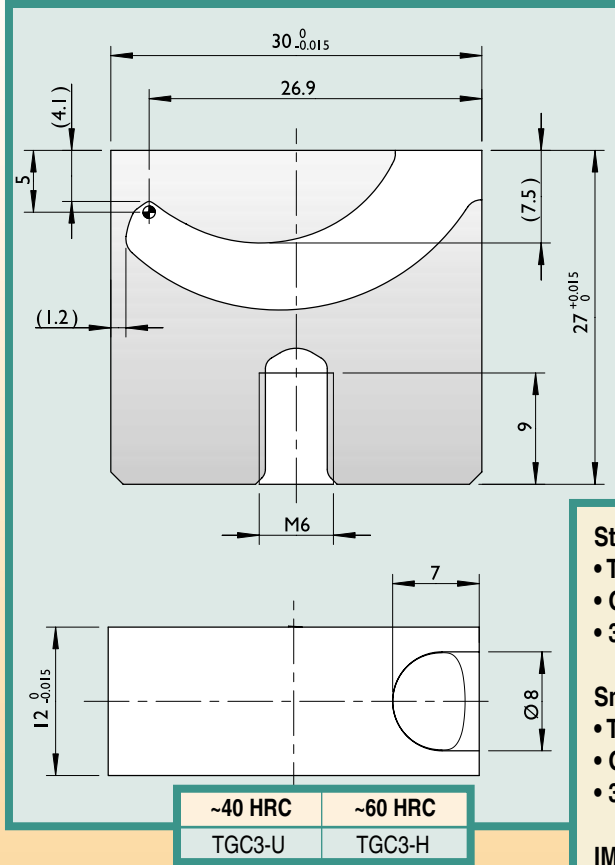




Cashew Gate Inserts

Contourable

For shot weights up to 1000g



Cutaway View



External View

TGC3

- The maximum contour depth is 5mm.
- Up to 1,5 x 5mm gate point diameter (film gate).
- Available in two different hardnesses.

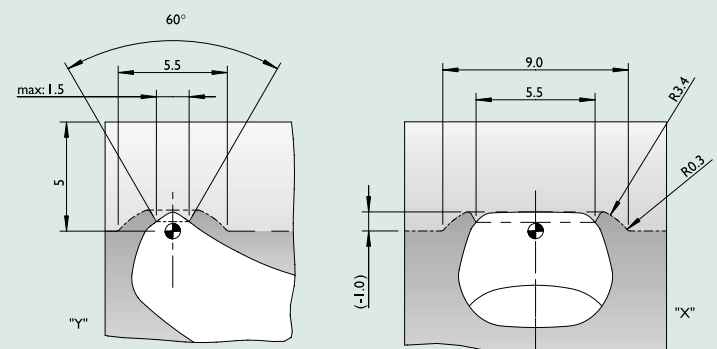
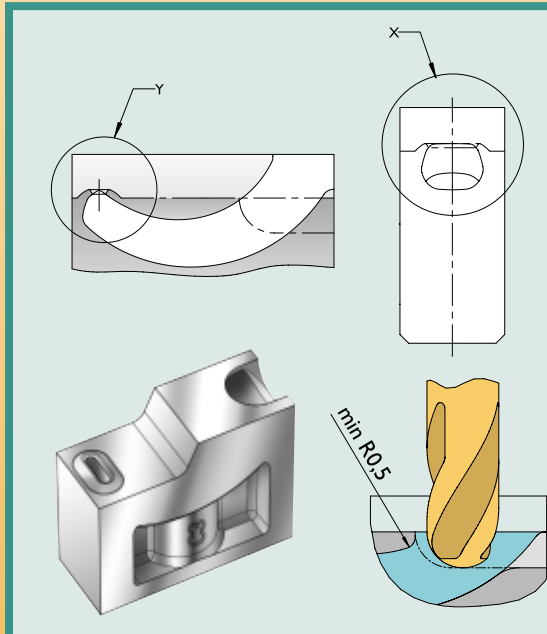
Standard Lip Design

- The maximum contour depth is 5mm.
- Gate area can be up to 1,5 x 5,5mm.
- 3D CAD for lip design can be downloaded from the i-mold website.

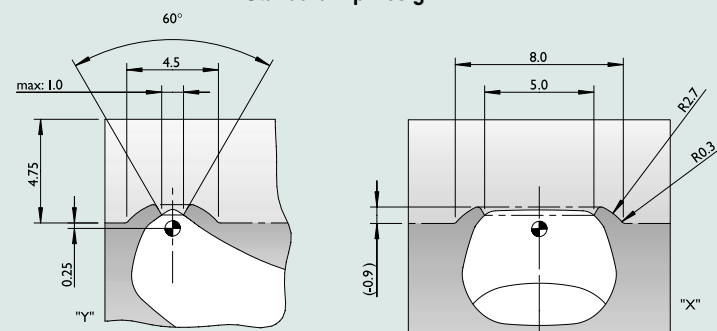
Small Lip Design

- The maximum contour depth is 4,75mm.
- Gate area can be up to 1,0 x 5,0mm.
- 3D CAD for lip design can be downloaded from the i-mold website.

IMPORTANT: Maintain a 0,25mm offset from the CAD reference point!



Standard Lip Design



Small Lip Design

CAD files available at:

