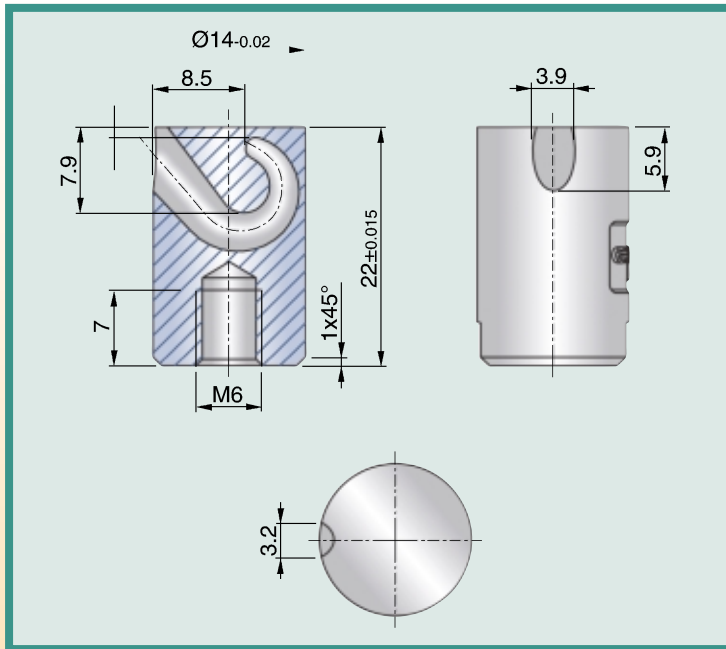




Cashew Gate Inserts

Ringelflow GRF-1

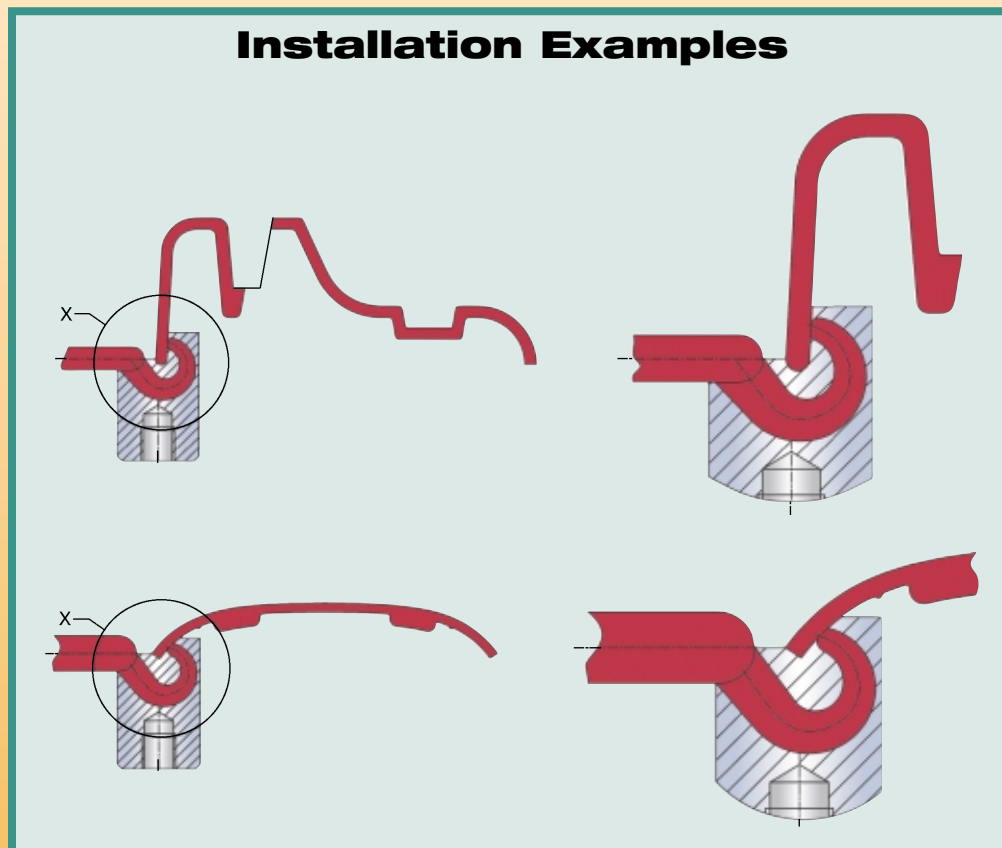


External View



Cutaway View

For rear surface gating of small-to-medium size parts. The GRF-1 supports gate diameters up to 2,5 mm and shot weights up to 200g per insert. For filled and brittle plastics contact DMS.



- Optimum solution to prevent jetting
- No gate marks on visible external surfaces and bottom wall
- Ideal for fully rounded edges

CAD files available at:

