

Floor Standing Enclosures
Steel Range | Mild Steel
Compact, double door | MKD

IP 55 | TYPE 12, 13 | IK 10



01

Floor Standing Enclosures



Material:

Body: 1.35 mm painted steel. Rear and roof panels: 1.5 mm painted steel.
Door: 2 mm painted steel. Mounting plate: 3 mm galvanized steel.
Bottom plates: 1 mm galvanized steel.

Body:

Four times folded and seam-welded frame. Integrated depth profiles with hole pattern allowing mounting plate adjustment in depth.

Doors:

Mounted with four hinges. Including door frame with 25 mm hole pattern. Standard doors cannot be reversed. Separate doors to be ordered for left hand door locking.

Rear panel:

Fitted by M6 torx screws. Standard facilities for rear door mounting.
Split rear panels on 1600 mm wide enclosures.

Roof panel:

Removable.

Lock:

Espagnolette 4-point locking system in the main door and 2-point locking system in the slave door. Standard double-bit lock with 3 mm insert. Can be exchanged for standard inserts or Euro-cylinder and a lift handle.

Bottom plates:

Consists of three pieces.

Mounting plate:

Double folded and slides into position. Adjustable in depth by steps of 25 mm with the MPD02 accessory. Supplied outside of the enclosure packaging.
Fitted inside for 1600 mm enclosures.

Earthing:

All panels are earthed through their fittings and are equipped with a separate earthing stud.

Finish:

RAL 7035 structured powder coating.

Protection:

Complies with IP 55 | TYPE 12, 13 | IK 10.

Approvals:

CE, CSA, EAC, GOST, Kema Keur, Lloyds shipping, cULus_listed.

Delivery:

Body with fitted door, rear panel, roof panel, bottom plates, mounting plate (except in PE version) and door frame. Delivery also includes earthing bolts. The enclosure is delivered on a pallet identical to the enclosure width. All packing material is recyclable.



Dimensional table | MKD

IP 55 | TYPE 12, 13 | IK 10

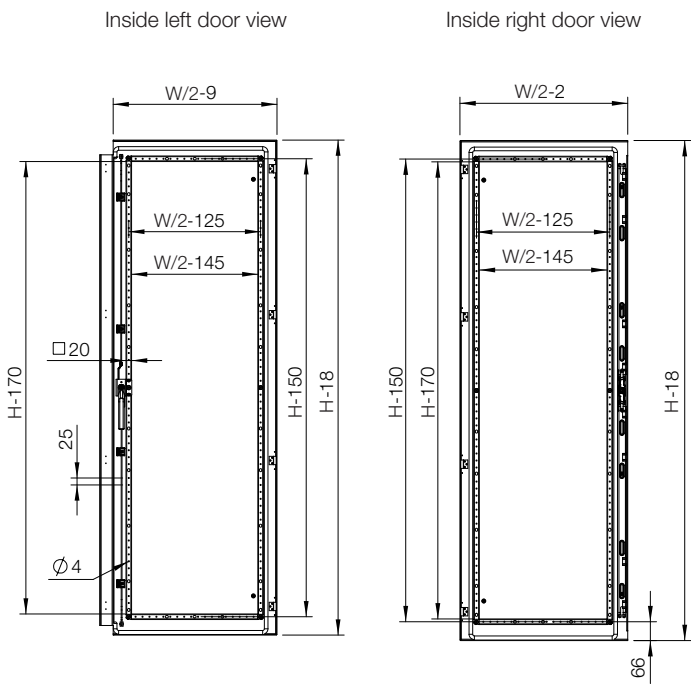
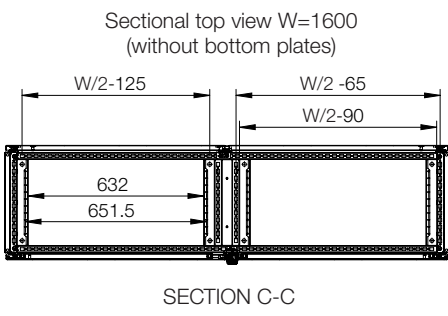
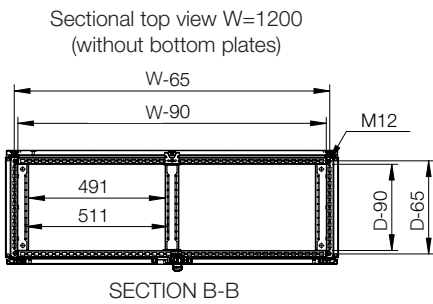
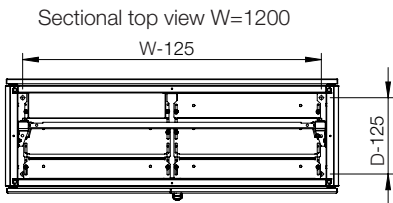
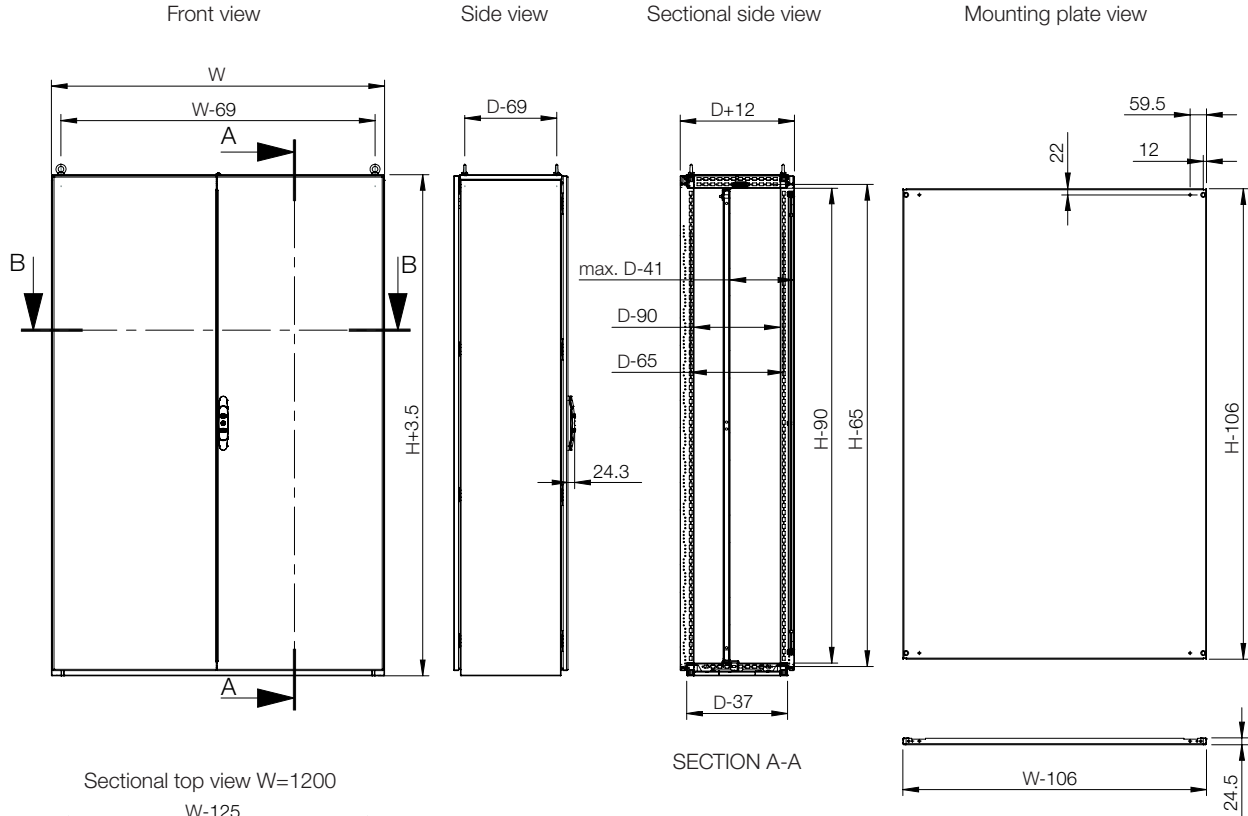
With mounting plate

Enclosure dimensions			Mounting plate dimensions		Usable depth	Item no.
H	W	D	h	w	d	
1200	1200	400	1094	1094	359	MKD12124R5
1400	1000	300	1294	894	259	MKD14103R5
1400	1000	400	1294	894	359	MKD14104R5
1400	1200	300	1294	1094	259	MKD14123R5
1400	1200	400	1294	1094	359	MKD14124R5
1600	1200	400	1494	1094	359	MKD16124R5
1600	1200	500	1494	1094	459	MKD16125R5
1800	1200	400	1694	1094	359	MKD18124R5
1800	1200	500	1694	1094	459	MKD18125R5
1800	1600	400	1694	1494	359	MKD18164R5
1800	1600	500	1694	1494	459	MKD18165R5
2000	1200	400	1894	1094	359	MKD20124R5
2000	1200	500	1894	1094	459	MKD20125R5
2000	1600	400	1894	1494	359	MKD20164R5
2000	1600	500	1894	1494	459	MKD20165R5

Without mounting plate

Enclosure dimensions			Item no.
H	W	D	
1200	1200	400	MKD12124PER5
1400	1000	300	MKD14103PER5
1400	1000	400	MKD14104PER5
1400	1200	300	MKD14123PER5
1400	1200	400	MKD14124PER5
1600	1200	400	MKD16124PER5
1600	1200	500	MKD16125PER5
1800	1200	400	MKD18124PER5
1800	1200	500	MKD18125PER5
1800	1600	400	MKD18164PER5
1800	1600	500	MKD18165PER5
2000	1200	400	MKD20124PER5
2000	1200	500	MKD20125PER5
2000	1600	400	MKD20164PER5
2000	1600	500	MKD20165PER5


For added cabling options add plinths PF and PCP.



Accessories selection matrix | MKD

Enclosure										
	H	W	D	Mounting plate	Mounting profile, in H	Mounting profile, in W	Mounting profile, in D *	Click in profile, in W *	Click in profile, in D	Side mounting bar
MKD12124R5	1200	1200	400	MP1212	CLPF1200	CLPF1200	CLPF400	CLPK1200	CLPK400	CMB402
MKD14103R5	1400	1000	300	MP1410	CLPF1400	CLPF1000	CLPF300	CLPK1000	CLPK300	CMB302
MKD14104R5	1400	1000	400	MP1410	CLPF1400	CLPF1000	CLPF400	CLPK1000	CLPK400	CMB402
MKD14123R5	1400	1200	300	MP1412	CLPF1400	CLPF1200	CLPF300	CLPK1200	CLPK300	CMB302
MKD14124R5	1400	1200	400	MP1412	CLPF1400	CLPF1200	CLPF400	CLPK1200	CLPK400	CMB402
MKD16124R5	1600	1200	400	MP1612	CLPF1600	CLPF1600	CLPF1600	CLPK1200	CLPK1200	CMB402
MKD16125R5	1800	1200	500	MP1612	CLPF1600	CLPF1200	CLPF500	CLPK1200	CLPK500	CMB502
MKD18124R5	1800	1200	400	MP1812	CLPF1800	CLPF1800	CLPF1800	CLPK1200	CLPK1200	CMB402
MKD18125R5	1800	1200	500	MP1812	CLPF1800	CLPF1200	CLPF500	CLPK1200	CLPK500	CMB502
MKD18164R5	1800	1600	400	MP1816	CLPF1800	CLPF1800	CLPF1800	CLPK400	CLPK400	CMB402
MKD18165R5	1800	1600	500	MP1816	CLPF1800	CLPF1800	CLPF1800	CLPK500	CLPK500	CMB502
MKD20124R5	2000	1200	400	MP2012	CLPF2000	CLPF2000	CLPF2000	CLPK1200	CLPK1200	CMB402
MKD20125R5	2000	1200	500	MP2012	CLPF2000	CLPF1200	CLPF500	CLPK1200	CLPK500	CMB502
MKD20164R5	2000	1600	400	MP2016	CLPF2000	CLPF2000	CLPF2000	CLPK400	CLPK400	CMB402
MKD20165R5	2000	1600	500	MP2016	CLPF2000	CLPF2000	CLPF2000	CLPK500	CLPK500	CMB502

* For compact enclosures (MKS/MKD) the CLPF in depth or a CLPK in width should be used in combination with CAK02 (Profile bracket for compact enclosures).

Enclosure										
	H	W	D	Front/rear plinths (100 mm height)	Plinth side panels (100 mm height)	Front/rear plinths (200 mm height)	Plinth side panels (200 mm height)	Ventilated front/rear plinths (100 mm height)	Plain door, left *	Plain door, right *
MKD12124R5	1200	1200	400	PF1120	PS1040	PF2040	PF2120	PV1120	DN1206LR5	DN1206RR5
MKD14103R5	1400	1000	300	PF1100	PS1030	PF2030	PF2100	PV1100	DN1405LR5	DN1405RR5
MKD14104R5	1400	1000	400	PF1100	PS1040	PF2040	PF2100	PV1100	DN1405LR5	DN1405RR5
MKD14123R5	1400	1200	300	PF1120	PS1030	PF2030	PF2120	PV1120	DN1406LR5	DN1406RR5
MKD14124R5	1400	1200	400	PF1120	PS1040	PF2040	PF2100	PV1100	DN1406LR5	DN1406RR5
MKD16124R5	1600	1200	400	PF1120	PS1040	PF1120	PS1040	PV1120	DN1606LR5	DN1606RR5
MKD16125R5	1800	1200	500	PF1120	PS1050	PF2050	PF2120	PV1120	DN1606LR5	DN1606RR5
MKD18124R5	1800	1200	400	PF1120	PS1040	PF1120	PS1040	PV1120	DN1806LR5	DN1806RR5
MKD18125R5	1800	1200	500	PF1120	PS1050	PF2050	PF2120	PV1120	DN1806LR5	DN1806RR5
MKD18164R5	1800	1600	400	2x PF1080	PS1040	2x PF1080	PS1040	2x PV1080	DN1808LR5	DN1808RR5
MKD18165R5	1800	1600	500	2x PF1080	PS1050	2x PF1080	PS1050	2x PV1080	DN1808LR5	DN1808RR5
MKD20124R5	2000	1200	400	PF1120	PS1040	PF1120	PS1040	PV1120	DN2006LR5	DN2006RR5
MKD20125R5	2000	1200	500	PF1120	PS1050	PF2050	PF2120	PV1120	DN2006LR5	DN2006RR5
MKD20164R5	2000	1600	400	2x PF1080	PS1040	2x PF1080	PS1040	2x PV1080	DN2008LR5	DN2008RR5
MKD20165R5	2000	1600	500	2x PF1080	PS1050	2x PF1080	PS1050	2x PV1080	DN2008LR5	DN2008RR5

* DNMK is required for additional door.

01

Floor Standing Enclosures



Enclosure				Thermal	Cable		
	H	W	D	Ventilated roof	Cable fixing bar (mounted below bottom plates)	Cable fixing bar (mounted above bottom plates)	Ventilated bottom plates
MKD12124R5	1200	1200	400	CVR1204R5	CABP1200	CAB1200	-
MKD14103R5	1400	1000	300	CVR1003R5	CABP1000	CAB1000	-
MKD14104R5	1400	1000	400	CVR1004R5	CABP1000	CAB1000	-
MKD14123R5	1400	1200	300	CVR1203R5	CABP1200	CAB1200	-
MKD14124R5	1400	1200	400	CVR1004R5	CABP1200	CAB1200	-
MKD16124R5	1600	1200	400	CVR1204R5	CABP1200	CAB1200	-
MKD16125R5	1800	1200	500	CVR1205R5	CABP1200	CAB1200	-
MKD18124R5	1800	1200	400	CVR1204R5	CABP1200	CAB1200	-
MKD18125R5	1800	1200	500	CVR1205R5	CABP1200	CAB1200	-
MKD18164R5	1800	1600	400	CVR1604R5	2x CABP800	2x CAB800	2x CVB0804
MKD18165R5	1800	1600	500	CVR1605R5	2x CABP800	2x CAB800	2x CVB0805
MKD20124R5	2000	1200	400	CVR1204R5	CABP1200	CAB1200	-
MKD20125R5	2000	1200	500	CVR1205R5	CABP1200	CAB1200	-
MKD20164R5	2000	1600	400	CVR1604R5	2x CABP800	2x CAB800	2x CVB0804
MKD20165R5	2000	1600	500	CVR1605R5	2x CABP800	2x CAB800	2x CVB0805