

**Human Machine Interface  
Console Range | Mild Steel  
Modular | MPC**

**IP 66 | TYPE 4, 12, 13 | IK 10 (single door); IP 55 | TYPE 12, 13 | IK 10 (double door)**



**Material:**

Body and door: 1.5 mm mild steel. Rear panel: 1.5 mm mild steel.  
Bottom plates: 1.2 mm galvanized steel. Mounting plate: 2.5 mm galvanized steel.

**Body:**

Folded and seam welded. Console construction counts with a base that provides a distance between the floor and the lower part of the door/s acting as an integrated plinth.

**Doors and panels:**

Single folded surface mounted with hinges allowing left and right-hand opening to base door. Top section and desk panels held open by self engage/self release mechanical panel stays. Concealed hinges allowing 90° opening on the desk. Double door on 1200 and 1600 mm wide base units.

**Mounting plate:**

Standard mounting plate in base unit. Fixed by fixing brackets on C rail, top and bottom for depth adjustment. Optional in desk and top section units.

**Lock:**

Double-bit 3 mm locks for top section and desk unit. For base, two double-bit 3 mm locks. Other options available. See wall mounting section.

**Cable access:**

Bottom opening in base unit for cable access. Bottom plates for cable glanding supplied as standard.

**Earthing:**

M8 threaded studs on bodies, doors and rear panels.

**Finish:**

RAL 7035 structured powder coating.

**Protection:**

Single door: IP 66 | TYPE 4, 12, 13 | IK 10.

Double door: IP 55 | TYPE 12, 13 | IK 10.

**Approvals:**

CE, CSA, GOST, Kema Keur, Lloyds shipping, cULus\_listed.

**Delivery:**

The base unit is provided with a mounting plate as standard. Desk and top section units have mounting plates provided as accessories. All top and base openings can be closed by choosing the appropriate accessory plate. Suitable nuts and washers for the various earthing studs are provided.



## Dimensional table | MPC

### IP 66 | TYPE 4, 12, 13 | IK 10 (single door); IP 55 | TYPE 12, 13 | IK 10 (double door)

Top section units | Mild steel

Enclosure dimensions				Item no.
H	W	D		
500	600	494		MPC061R5
500	800	494		MPC081R5
500	1000	494		MPC101R5
500	1200	494		MPC121R5
500	1600	494		MPC161R5

Desk units | Mild steel

Enclosure dimensions				Item no.
H	W	D		
250	600	985		MPC062R5
250	800	985		MPC082R5
250	1000	985		MPC102R5
250	1200	985		MPC122R5
250	1600	985		MPC162R5

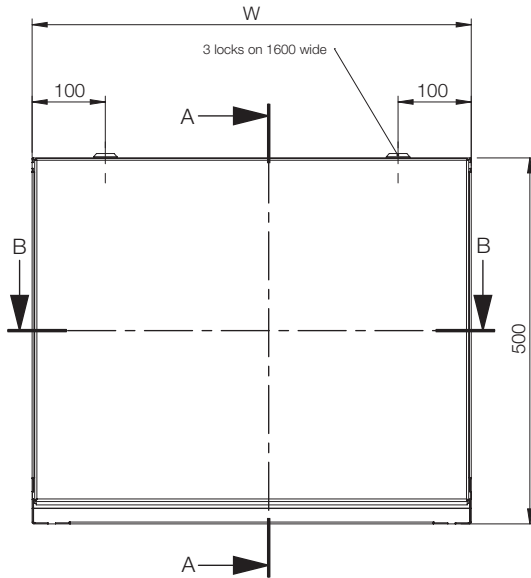
Base units with mounting plate | Mild steel

Enclosure dimensions			Mounting plate dimensions		Usable depth	Item no.
H	W	D	h	w	d	
700	600	500	590	499	470.5	MPC063R5
700	800	500	590	699	470.5	MPC083R5
700	1000	500	590	899	470.5	MPC103R5
700	1200	500	590	1099	470.5	MPC123R5
700	1600	500	590	1499	470.5	MPC163R5

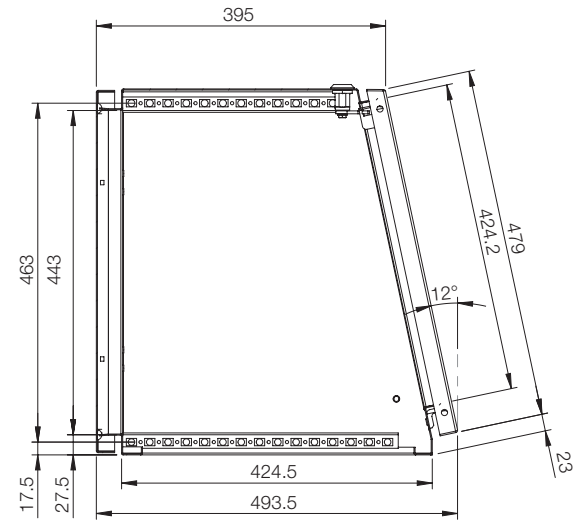
Note: Only 1200 mm and 1600 mm wide consoles have double door.

Top section units

Front view

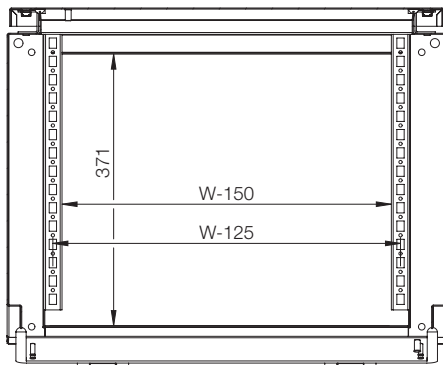


Sectional side view



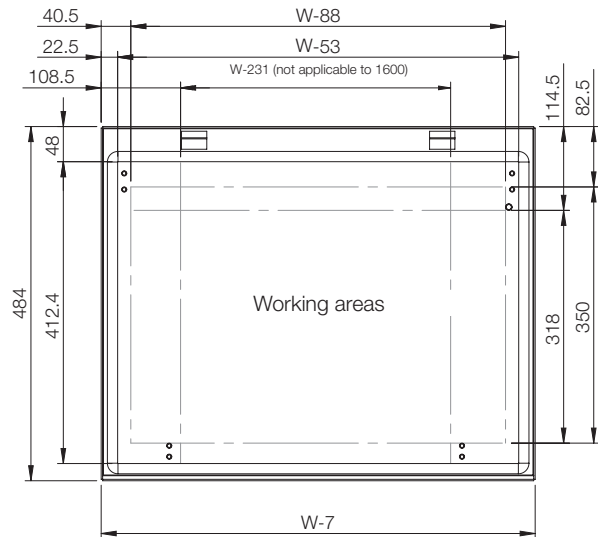
SECTION A-A

Sectional top view



SECTION B-B

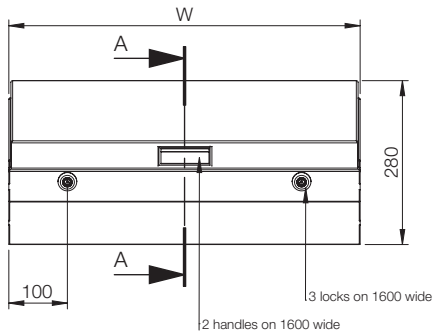
Inside panel view



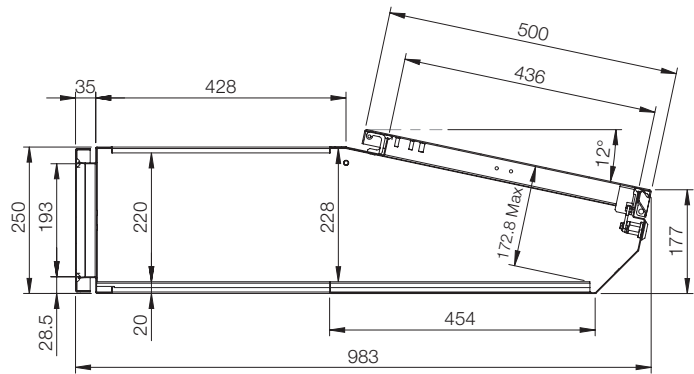
# Dimensional drawing | MPC

Desk unit

Front view

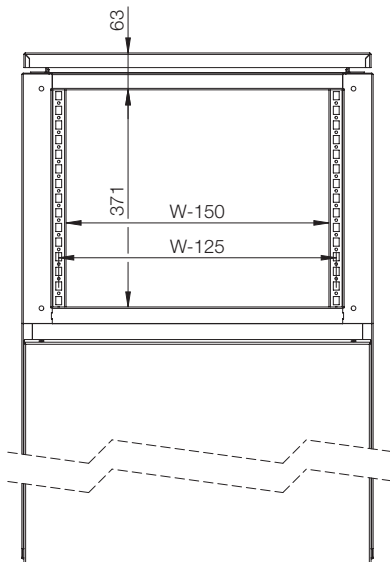


Sectional side view

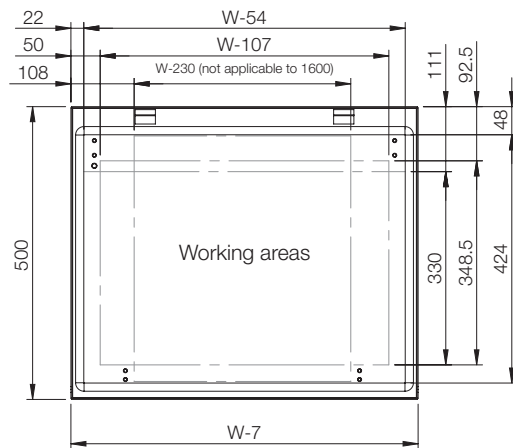


SECTION A-A

Top view

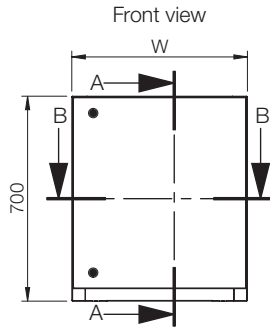


Inside panel view

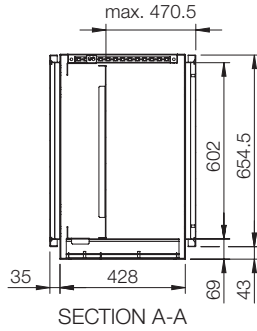


Base unit with mounting plate

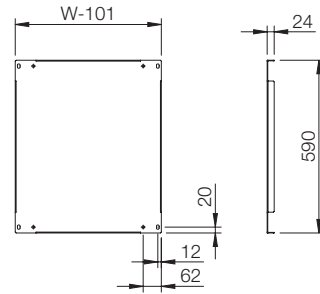
Single door



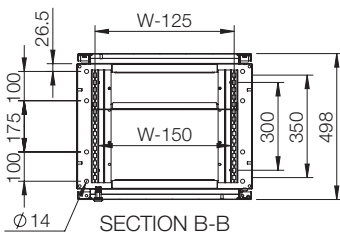
Sectional side view



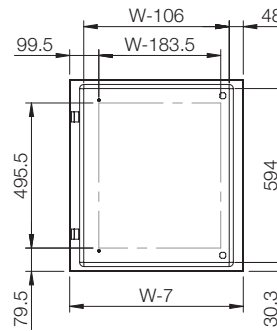
Mounting plate view



Sectional top view

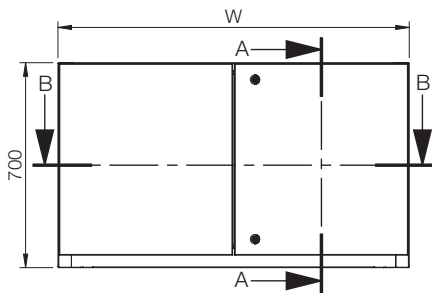


Inside door view

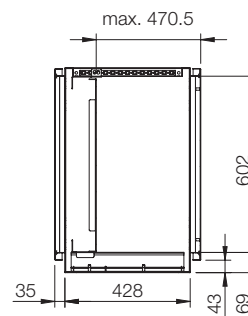


Double door

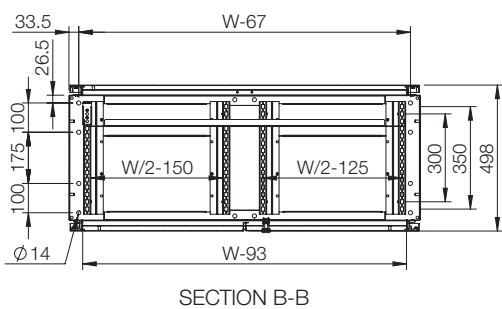
Front view



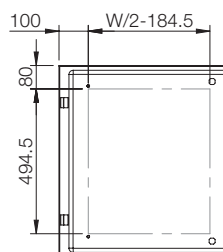
Sectional side view



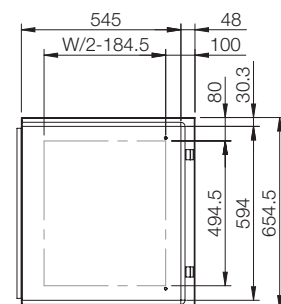
Sectional top view





Inside right door view



Inside left door view



								
Console				Mounting			Doors	
	H	W	D	Mounting plate	Segregation plate	Vertical mounting profiles	Cover plate	Stainless steel panel
MPC061R5	500	600	494	CDPZ06	-	-	-	MPPS061
MPC081R5	500	800	494	CDPZ08	-	-	-	MPPS081
MPC101R5	500	1000	494	CDPZ10	-	-	-	MPPS101
MPC121R5	500	1200	494	CDPZ12	-	-	-	MPPS121
MPC161R5	500	1600	494	CDPZ16	-	-	-	MPPS161
MPC062R5	250	600	985	CDPZ06	SGPZ06	-	BDP06R5	MPLS062
MPC082R5	250	800	985	CDPZ08	SGPZ08	-	BDP08R5	MPLS082
MPC102R5	250	1000	985	CDPZ10	SGPZ10	-	BDP10R5	MPLS102
MPC122R5	250	1200	985	CDPZ12	SGPZ12	-	BDP12R5	MPLS122
MPC162R5	250	1600	985	CDPZ16	SGPZ16	-	BDP16R5	MPLS162
MPC063R5	700	600	500	CBPZ06	-	KMB700	BDP06R5	-
MPC083R5	700	800	500	CBPZ08	-	KMB700	BDP08R5	-
MPC103R5	700	1000	500	CBPZ10	-	KMB700	BDP10R5	-
MPC123R5	700	1200	500	CBPZ12	-	KMB700	BDP12R5	-
MPC163R5	700	1600	500	CBPZ16	-	KMB700	BDP16R5	-

							
Console				Fixing			
	H	W	D	Front/rear plinths (100 mm height)	Plinth side panels (100 mm height)	Front/rear plinths (200 mm height)	Plinth side panels (200 mm height)
MPC061R5	500	600	494	-	-	-	-
MPC081R5	500	800	494	-	-	-	-
MPC101R5	500	1000	494	-	-	-	-
MPC121R5	500	1200	494	-	-	-	-
MPC161R5	500	1600	494	-	-	-	-
MPC062R5	250	600	985	-	-	-	-
MPC082R5	250	800	985	-	-	-	-
MPC102R5	250	1000	985	-	-	-	-
MPC122R5	250	1200	985	-	-	-	-
MPC162R5	250	1600	985	-	-	-	-
MPC063R5	700	600	500	PF1060	PST1050	PF2060	PST2050
MPC083R5	700	800	500	PF1080	PST1050	PF2080	PST2050
MPC103R5	700	1000	500	PF1100	PST1050	PF2100	PST2050
MPC123R5	700	1200	500	PF1120	PST1050	PF2120	PST2050
MPC163R5	700	1600	500	2x PF1080	PST1050	2x PF2080	PST2050

