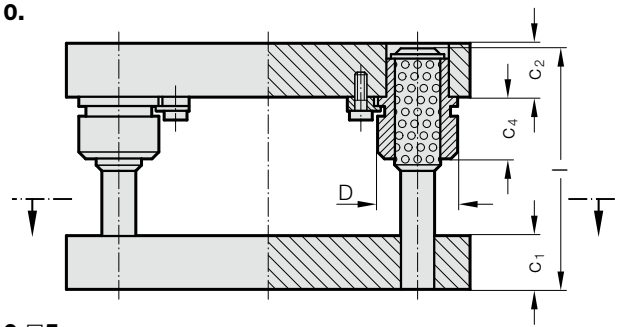


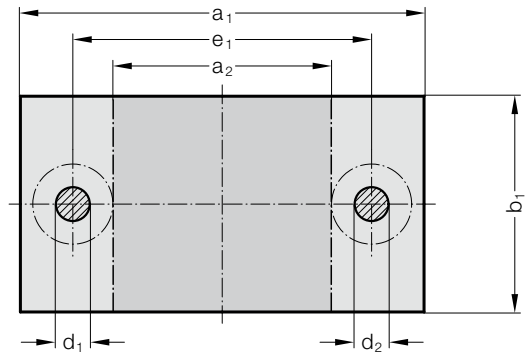
# DIE SET WITHOUT STRIPPER ~DIN 9868/ISO 11415



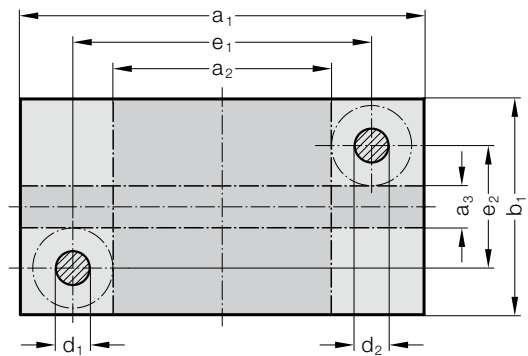
2010.



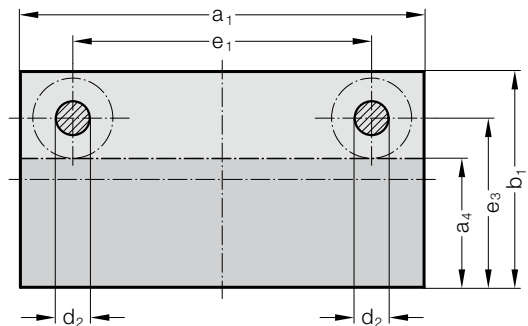
2010.□5.



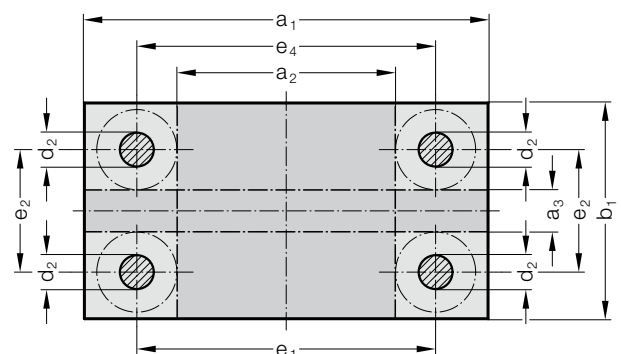
2010.□6.



2010.□7.

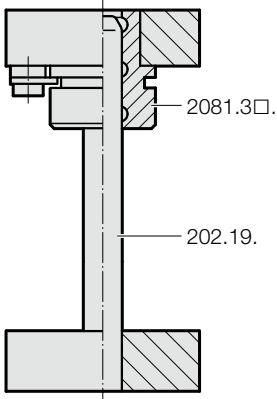


2010.□9.

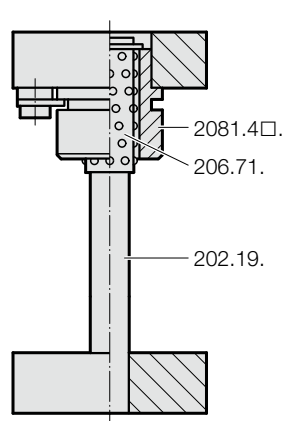


## Standard Guide Systems

Headed Sintered Ferrite Bushes, carbonitrided = .834.



Headed Ball Bearing Bushes = .862.



## Description:

FIBRO Die Sets offer the choice between sintered ferrite sliding guides and those of the ball bearing type to DIN-ISO. Both come with headed guide bushes. These are seated in push-fit bolster bores and retained there by screw clamps.

## Execution:

Steel: External contours milled, thickness surfaces ground

$a_1$  or  $b_1 \leq 630 = +0.2/+0.4$

$a_1$  or  $b_1 > 630 = +0.2/+0.6$

Aluminium: External contours sawn, thickness surfaces ground

$a_1$  or  $b_1 = +1/+4$

## Order note:

Hole pattern for the screw clamps depends on positioning of working surface:

e.g. 2010.49.2520.4.862.1 lengthwise

e.g. 2010.49.2520.4.862.2 crosswise

## Note:

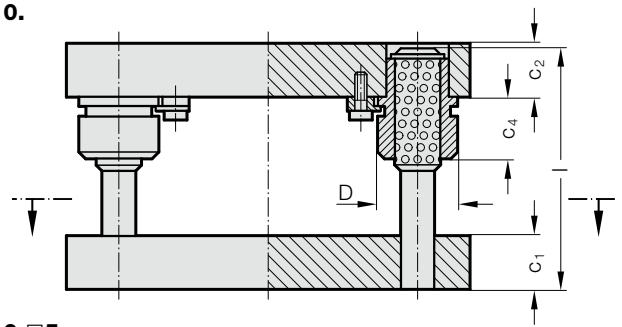
On request, Standard Die Sets can also be fitted with any other FIBRO Guide Elements (see die sets to customers' drawings). FIBRO will furthermore supply die sets with special machining features.



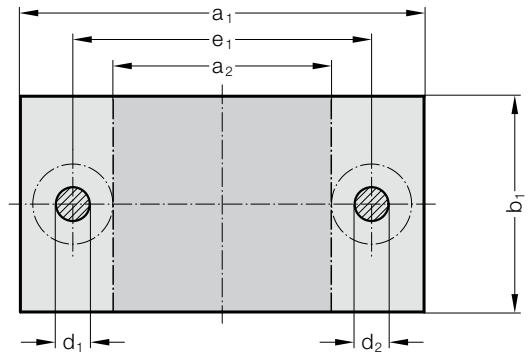
# DIE SET WITHOUT STRIPPER ~DIN 9868/ISO 11415



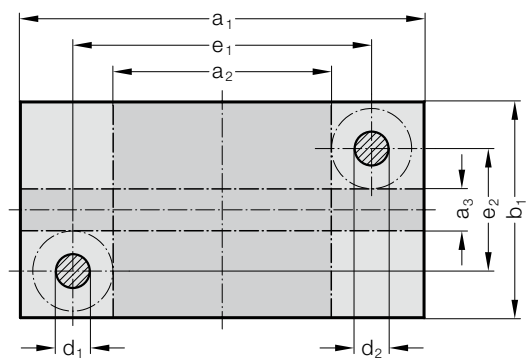
2010.



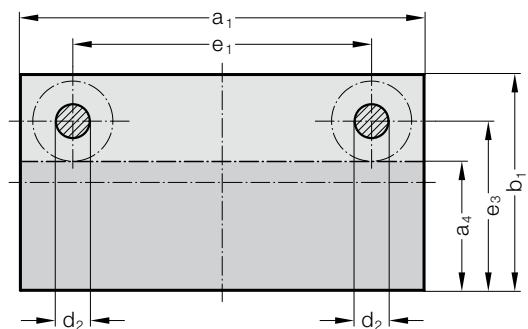
2010.□5.



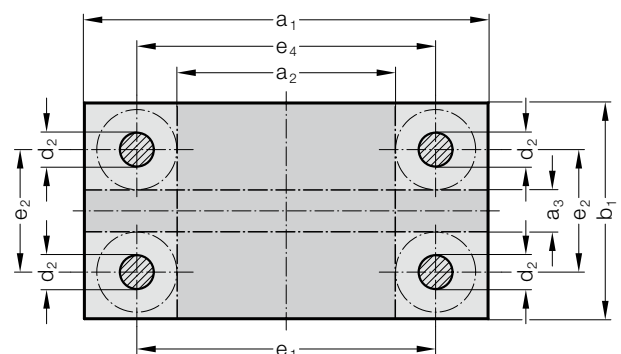
2010.□6.



2010.□7.

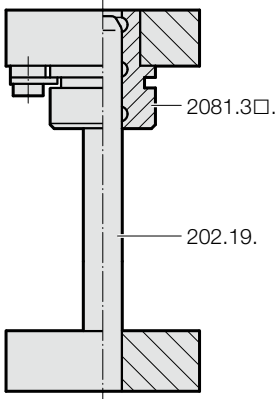


2010.□9.

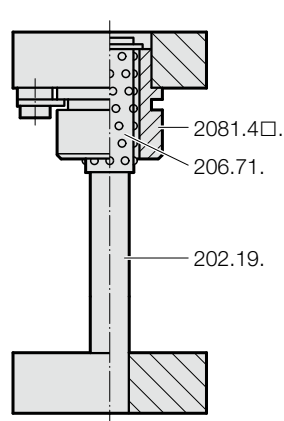


## Standard Guide Systems

Headed Sintered Ferrite Bushes, carbonitrided = .834.



Headed Ball Bearing Bushes = .862.



## Description:

FIBRO Die Sets offer the choice between sintered ferrite sliding guides and those of the ball bearing type to DIN-ISO. Both come with headed guide bushes. These are seated in push-fit bolster bores and retained there by screw clamps.

## Execution:

Steel: External contours milled, thickness surfaces ground

$a_1$  or  $b_1 \leq 630 = +0.2/+0.4$

$a_1$  or  $b_1 > 630 = +0.2/+0.6$

Aluminium: External contours sawn, thickness surfaces ground

$a_1$  or  $b_1 = +1/+4$

## Order note:

Hole pattern for the screw clamps depends on positioning of working surface:

e.g. 2010.49.2520.4.865.1 lengthwise

e.g. 2010.49.2520.4.865.2 crosswise

## Note:

On request, Standard Die Sets can also be fitted with any other FIBRO Guide Elements (see die sets to customers' drawings). FIBRO will furthermore supply die sets with special machining features.

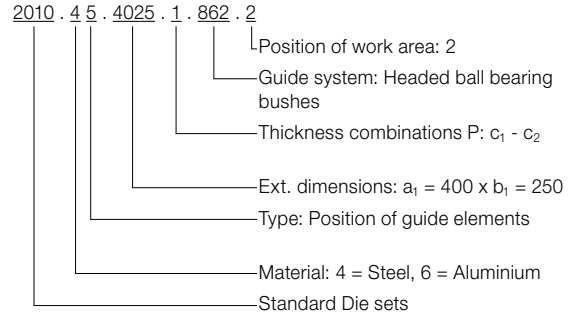
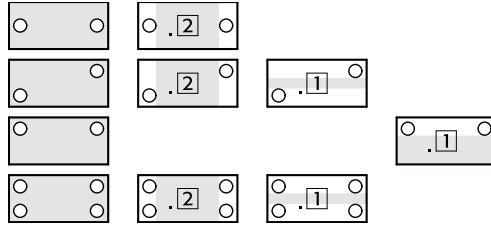
# DIE SET WITHOUT STRIPPER ~DIN 9868/ISO 11415

2010. □□ .

Ordering Code (principle):

Type

2010.□5.  
2010.□6.  
2010.□7.  
2010.□9.

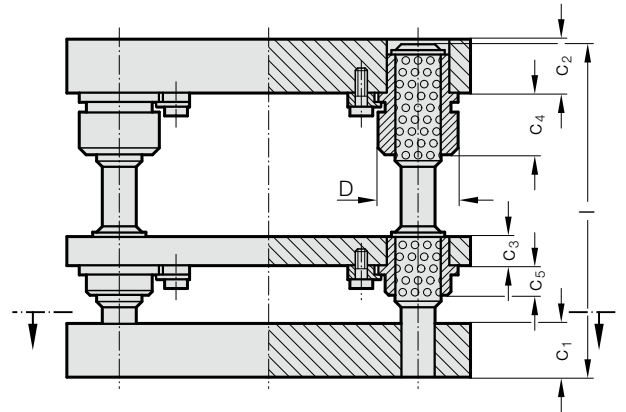


Order No					external dimensions a <sub>1</sub> × b <sub>1</sub>	Work area crosswise a <sub>2</sub> × b <sub>1</sub>	Work area along a <sub>1</sub> × a <sub>3</sub>	Work area along a <sub>1</sub> × a <sub>4</sub>	.834. .862.				D	e <sub>1</sub>	e <sub>2</sub>	e <sub>3</sub>	e <sub>4</sub>	
									c <sub>1</sub> ≠ 2	c <sub>2</sub> ≠ 2	c <sub>4</sub>	c <sub>4</sub>						d <sub>1</sub> /d <sub>2</sub> × l
2010.	.4031.	3.			400 × 315	250 × 315	400 × 165	400 × 240	40	50	45	63	30/32 × 200	53	310	225	270	313
2010.	.4031.	4.			400 × 315	250 × 315	400 × 165	400 × 240	40	40	45	63	30/32 × 200	53	310	225	270	313
2010.	.4040.	1.			400 × 400	250 × 400	400 × 250	400 × 325	50	50	45	63	30/32 × 200	53	310	310	355	313
2010.	.4040.	2.			400 × 400	250 × 400	400 × 250	400 × 325	50	40	45	63	30/32 × 200	53	310	310	355	313
2010.	.4040.	3.			400 × 400	250 × 400	400 × 250	400 × 325	40	50	45	63	30/32 × 200	53	310	310	355	313
2010.	.4040.	4.			400 × 400	250 × 400	400 × 250	400 × 325	40	40	45	63	30/32 × 200	53	310	310	355	313
2010.	.5025.	1.			500 × 250	330 × 250	500 × 80	500 × 165	50	50	45	71	38/40 × 200	63	400	150	200	403
2010.	.5025.	2.			500 × 250	330 × 250	500 × 80	500 × 165	50	40	45	71	38/40 × 200	63	400	150	200	403
2010.	.5025.	3.			500 × 250	330 × 250	500 × 80	500 × 165	40	50	45	71	38/40 × 200	63	400	150	200	403
2010.	.5025.	4.			500 × 250	330 × 250	500 × 80	500 × 165	40	40	45	71	38/40 × 200	63	400	150	200	403
2010.	.5031.	1.			500 × 315	330 × 315	500 × 145	500 × 230	50	50	45	71	38/40 × 200	63	400	215	265	403
2010.	.5031.	2.			500 × 315	330 × 315	500 × 145	500 × 230	50	40	45	71	38/40 × 200	63	400	215	265	403
2010.	.5031.	3.			500 × 315	330 × 315	500 × 145	500 × 230	40	50	45	71	38/40 × 200	63	400	215	265	403
2010.	.5031.	4.			500 × 315	330 × 315	500 × 145	500 × 230	40	40	45	71	38/40 × 200	63	400	215	265	403
2010.	.5040.	1.			500 × 400	330 × 400	500 × 230	500 × 315	50	50	45	71	38/40 × 200	63	400	300	350	403
2010.	.5040.	2.			500 × 400	330 × 400	500 × 230	500 × 315	50	40	45	71	38/40 × 200	63	400	300	350	403
2010.	.5040.	3.			500 × 400	330 × 400	500 × 230	500 × 315	40	50	45	71	38/40 × 200	63	400	300	350	403
2010.	.5040.	4.			500 × 400	330 × 400	500 × 230	500 × 315	40	40	45	71	38/40 × 200	63	400	300	350	403
2010.	.5050.	1.			500 × 500	330 × 500	500 × 330	500 × 415	50	50	45	71	38/40 × 200	63	400	400	450	403
2010.	.5050.	2.			500 × 500	330 × 500	500 × 330	500 × 415	50	40	45	71	38/40 × 200	63	400	400	450	403
2010.	.5050.	3.			500 × 500	330 × 500	500 × 330	500 × 415	40	50	45	71	38/40 × 200	63	400	400	450	403
2010.	.5050.	4.			500 × 500	330 × 500	500 × 330	500 × 415	40	40	45	71	38/40 × 200	63	400	400	450	403
2010.	.6331.	1.			630 × 315	430 × 315	630 × 115	630 × 215	63	63	50	80	48/50 × 250	77	510	195	255	513
2010.	.6331.	2.			630 × 315	430 × 315	630 × 115	630 × 215	63	50	50	80	48/50 × 250	77	510	195	255	513
2010.	.6331.	3.			630 × 315	430 × 315	630 × 115	630 × 215	50	63	50	80	48/50 × 224	77	510	195	255	513
2010.	.6331.	4.			630 × 315	430 × 315	630 × 115	630 × 215	50	50	50	80	48/50 × 224	77	510	195	255	513
2010.	.6340.	1.			630 × 400	430 × 400	630 × 200	630 × 300	63	63	50	80	48/50 × 250	77	510	280	340	513
2010.	.6340.	2.			630 × 400	430 × 400	630 × 200	630 × 300	63	50	50	80	48/50 × 250	77	510	280	340	513
2010.	.6340.	3.			630 × 400	430 × 400	630 × 200	630 × 300	50	63	50	80	48/50 × 224	77	510	280	340	513
2010.	.6340.	4.			630 × 400	430 × 400	630 × 200	630 × 300	50	50	50	80	48/50 × 224	77	510	280	340	513
2010.	.6350.	1.			630 × 500	430 × 500	630 × 300	630 × 400	63	63	50	80	48/50 × 250	77	510	380	440	513
2010.	.6350.	2.			630 × 500	430 × 500	630 × 300	630 × 400	63	50	50	80	48/50 × 250	77	510	380	440	513
2010.	.6350.	3.			630 × 500	430 × 500	630 × 300	630 × 400	50	63	50	80	48/50 × 224	77	510	380	440	513
2010.	.6350.	4.			630 × 500	430 × 500	630 × 300	630 × 400	50	50	50	80	48/50 × 224	77	510	380	440	513
2010.	.6363.	1.			630 × 630	430 × 630	630 × 430	630 × 530	63	63	50	80	48/50 × 250	77	510	510	570	513
2010.	.6363.	2.			630 × 630	430 × 630	630 × 430	630 × 530	63	50	50	80	48/50 × 250	77	510	510	570	513
2010.	.6363.	3.			630 × 630	430 × 630	630 × 430	630 × 530	50	63	50	80	48/50 × 224	77	510	510	570	513
2010.	.6363.	4.			630 × 630	430 × 630	630 × 430	630 × 530	50	50	50	80	48/50 × 224	77	510	510	570	513
2010.	.7140.	1.			710 × 400	510 × 400	710 × 200	710 × 300	63	63	50	80	48/50 × 250	77	590	280	340	593
2010.	.7140.	2.			710 × 400	510 × 400	710 × 200	710 × 300	63	50	50	80	48/50 × 250	77	590	280	340	593
2010.	.7140.	3.			710 × 400	510 × 400	710 × 200	710 × 300	50	63	50	80	48/50 × 224	77	590	280	340	593
2010.	.7140.	4.			710 × 400	510 × 400	710 × 200	710 × 300	50	50	50	80	48/50 × 224	77	590	280	340	593
2010.	.7150.	1.			710 × 500	510 × 500	710 × 300	710 × 400	63	63	50	80	48/50 × 250	77	590	380	440	593
2010.	.7150.	2.			710 × 500	510 × 500	710 × 300	710 × 400	63	50	50	80	48/50 × 250	77	590	380	440	593
2010.	.7150.	3.			710 × 500	510 × 500	710 × 300	710 × 400	50	63	50	80	48/50 × 224	77	590	380	440	593
2010.	.7150.	4.			710 × 500	510 × 500	710 × 300	710 × 400	50	50	50	80	48/50 × 224	77	590	380	440	593
2010.	.7163.	1.			710 × 630	510 × 630	710 × 430	710 × 530	63	63	50	80	48/50 × 250	77	590	510	570	593
2010.	.7163.	2.			710 × 630	510 × 630	710 × 430	710 × 530	63	50	50	80	48/50 × 250	77	590	510	570	593
2010.	.7163.	3.			710 × 630	510 × 630	710 × 430	710 × 530	50	63	50	80	48/50 × 224	77	590	510	570	593
2010.	.7163.	4.			710 × 630	510 × 630	710 × 430	710 × 530	50	50	50	80	48/50 × 224	77	590	510	570	593
2010.	.8040.	1.			800 × 400	600 × 400	800 × 200	800 × 300	63	63	50	80	48/50 × 250	77	680	280	340	683
2010.	.8040.	2.			800 × 400	600 × 400	800 × 200	800 × 300	63	50	50	80	48/50 × 250	77	680	280	340	683
2010.	.8040.	3.			800 × 400	600 × 400	800 × 200	800 × 300	50	63	50	80	48/50 × 224	77	680	280	340	683
2010.	.8040.	4.			800 × 400	600 × 400	800 × 200	800 × 300	50	50	50	80	48/50 × 224	77	680	280	340	683
2010.	.8050.	1.			800 × 500	600 × 500	800 × 300	800 × 400	63	63	50	80	48/50 × 250	77	680	380	440	683
2010.	.8050.	2.			800 × 500	600 × 500	800 × 300	800 × 400	63	50	50	80	48/50 × 250	77	680	380	440	683
2010.	.8050.	3.			800 × 500	600 × 500	800 × 300	800 × 400	50	63	50	80	48/50 × 224	77	680	380	440	683
2010.	.8050.	4.			800 × 500	600 × 500	800 × 300	800 × 400	50	50	50	80	48/50 × 224	77	680	380	440	683
2010.	.8063.	1.			800 × 630	600 × 630	800 × 430	800 × 530	63	63	50	80	48/50 × 250	77	680	510	570	683
2010.	.8063.	2.			800 × 630	600 × 630	800 × 430	800 × 530	63	50	50	80	48/50 × 250	77	680	510	570	683
2010.	.8063.	3.			800 × 630	600 × 630	800 × 430	800 × 530	50	63	50	80	48/50 × 224	77	680	510	570	683
2010.	.8063.	4.			800 × 630	600 × 630	800 × 430	800 × 530	50	50	50	80	48/50 × 224	77	680	510	570	683

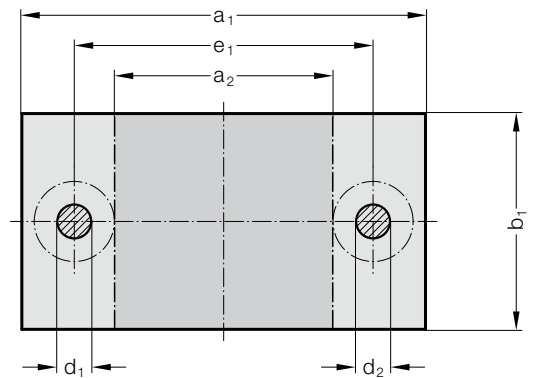
# DIE SET WITH STRIPPER ~DIN 9868/ISO 11415



2010.

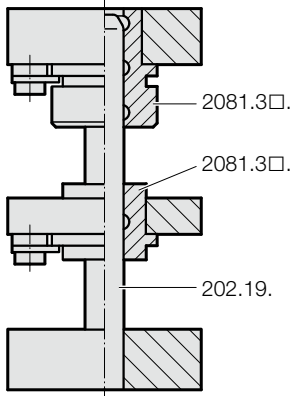


2010.□5.

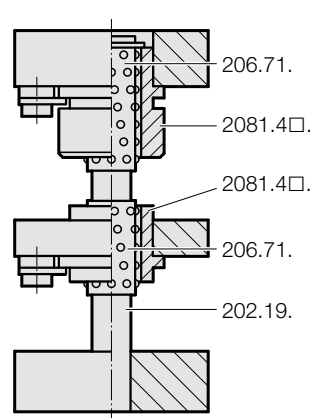


## Standard Guide Systems

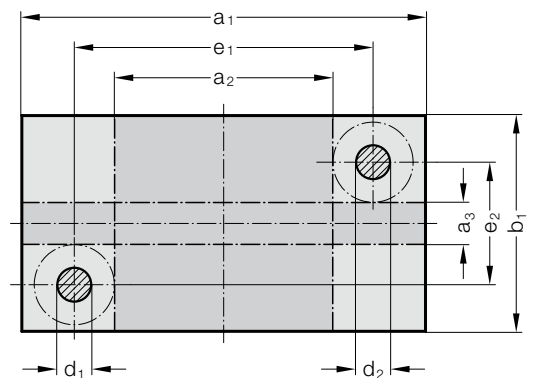
Headed Sintered Ferrite Bushes, carbonitrided = .835.



Headed Ball Bearing Bushes = .865.



2010.□6.



## Description:

FIBRO Die Sets offer the choice between sintered ferrite sliding guides and those of the ball bearing type to DIN-ISO. Both come with headed guide bushes. These are seated in push-fit bolster bores and retained there by screw clamps.

## Execution:

Steel: External contours milled, thickness surfaces ground

$a_1$  or  $b_1 \leq 630 = +0.2/+0.4$

$a_1$  or  $b_1 > 630 = +0.2/+0.6$

Aluminium: External contours sawn, thickness surfaces ground

$a_1$  or  $b_1 = +1/+4$

## Order note:

Hole pattern for the screw clamps depends on positioning of working surface:

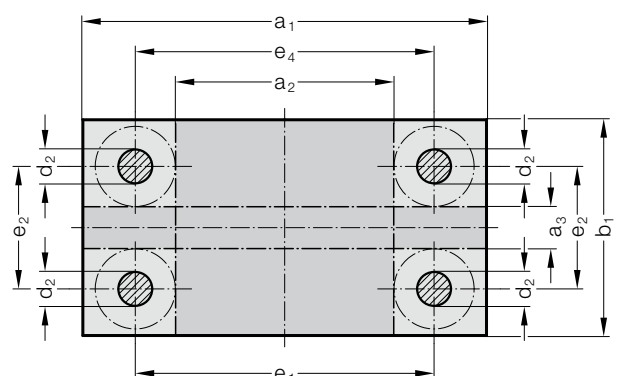
e.g. 2010.49.2520.4.865.1 lengthwise

e.g. 2010.49.2520.4.865.2 crosswise

## Note:

On request, Standard Die Sets can also be fitted with any other FIBRO Guide Elements (see die sets to customers' drawings). FIBRO will furthermore supply die sets with special machining features.

2010.□9.



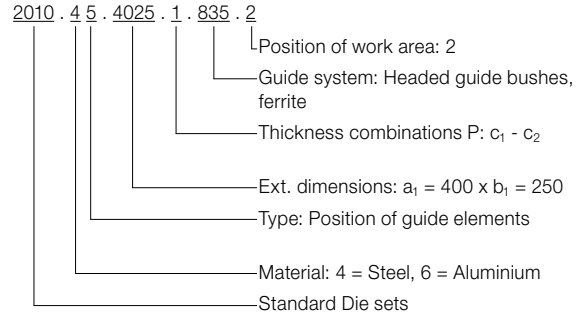
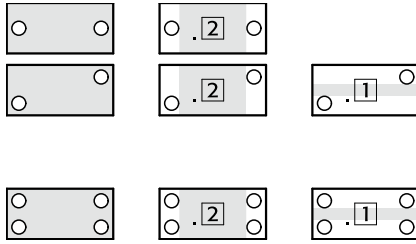
# DIE SET WITH STRIPPER ~DIN 9868/ISO 11415

2010. □□ .

Ordering Code (principle):

Type

2010.□5.  
2010.□6.  
  
2010.□9.

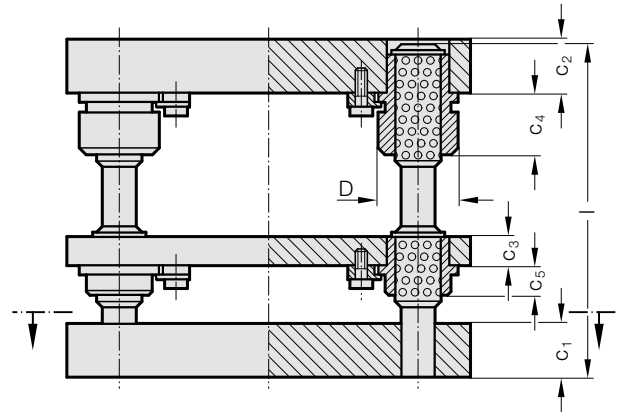


Order No	external dimensions		Work area crosswise	Work area along	$c_1 \pm 2$	$c_2 \pm 2$	$c_3 \pm 2$	$c_4$	$c_5$	$d_1/d_2 \times l$	D	$e_1$	$e_2$	$e_4$	
	$a_1 \times b_1$	$a_2 \times b_1$													$a_1 \times a_3$
2010.	.1608.	1.	160 x 80	60 x 80	-	32	32	25	12	12	19/20 x 180	39	100	-	-
2010.	.1610.	1.	160 x 100	60 x 100	-	32	32	25	12	12	19/20 x 180	39	100	-	-
2010.	.1612.	1.	160 x 125	60 x 125	-	32	32	25	12	12	19/20 x 180	39	100	-	-
2010.	.1616.	1.	160 x 160	60 x 160	160 x 60	32	32	25	12	12	19/20 x 180	39	100	100	103
2010.	.2010.	1.	200 x 100	70 x 100	-	40	40	25	25	12	24/25 x 200	46	120	-	-
2010.	.2010.	2.	200 x 100	70 x 100	-	40	32	25	25	12	24/25 x 200	46	120	-	-
2010.	.2010.	3.	200 x 100	70 x 100	-	32	40	25	25	12	24/25 x 200	46	120	-	-
2010.	.2010.	4.	200 x 100	70 x 100	-	32	32	25	25	12	24/25 x 200	46	120	-	-
2010.	.2012.	1.	200 x 125	70 x 125	-	40	40	25	25	12	24/25 x 200	46	120	-	-
2010.	.2012.	2.	200 x 125	70 x 125	-	40	32	25	25	12	24/25 x 200	46	120	-	-
2010.	.2012.	3.	200 x 125	70 x 125	-	32	40	25	25	12	24/25 x 200	46	120	-	-
2010.	.2012.	4.	200 x 125	70 x 125	-	32	32	25	25	12	24/25 x 200	46	120	-	-
2010.	.2016.	1.	200 x 160	70 x 160	-	40	40	25	25	12	24/25 x 200	46	120	-	-
2010.	.2016.	2.	200 x 160	70 x 160	-	40	32	25	25	12	24/25 x 200	46	120	-	-
2010.	.2016.	3.	200 x 160	70 x 160	-	32	40	25	25	12	24/25 x 200	46	120	-	-
2010.	.2016.	4.	200 x 160	70 x 160	-	32	32	25	25	12	24/25 x 200	46	120	-	-
2010.	.2020.	1.	200 x 200	70 x 200	200 x 70	40	40	25	25	12	24/25 x 200	46	120	120	123
2010.	.2020.	2.	200 x 200	70 x 200	200 x 70	40	32	25	25	12	24/25 x 200	46	120	120	123
2010.	.2020.	3.	200 x 200	70 x 200	200 x 70	32	40	25	25	12	24/25 x 200	46	120	120	123
2010.	.2020.	4.	200 x 200	70 x 200	200 x 70	32	32	25	25	12	24/25 x 200	46	120	120	123
2010.	.2512.	1.	250 x 125	120 x 125	-	40	40	25	25	12	24/25 x 200	46	170	-	-
2010.	.2512.	2.	250 x 125	120 x 125	-	40	32	25	25	12	24/25 x 200	46	170	-	-
2010.	.2512.	3.	250 x 125	120 x 125	-	32	40	25	25	12	24/25 x 200	46	170	-	-
2010.	.2512.	4.	250 x 125	120 x 125	-	32	32	25	25	12	24/25 x 200	46	170	-	-
2010.	.2516.	1.	250 x 160	120 x 160	-	40	40	25	25	12	24/25 x 200	46	170	-	-
2010.	.2516.	2.	250 x 160	120 x 160	-	40	32	25	25	12	24/25 x 200	46	170	-	-
2010.	.2516.	3.	250 x 160	120 x 160	-	32	40	25	25	12	24/25 x 200	46	170	-	-
2010.	.2516.	4.	250 x 160	120 x 160	-	32	32	25	25	12	24/25 x 200	46	170	-	-
2010.	.2520.	1.	250 x 200	120 x 200	250 x 70	40	40	25	25	12	24/25 x 200	46	170	120	173
2010.	.2520.	2.	250 x 200	120 x 200	250 x 70	40	32	25	25	12	24/25 x 200	46	170	120	173
2010.	.2520.	3.	250 x 200	120 x 200	250 x 70	32	40	25	25	12	24/25 x 200	46	170	120	173
2010.	.2520.	4.	250 x 200	120 x 200	250 x 70	32	32	25	25	12	24/25 x 200	46	170	120	173
2010.	.2525.	1.	250 x 250	120 x 250	250 x 120	40	40	25	25	12	24/25 x 200	46	170	170	173
2010.	.2525.	2.	250 x 250	120 x 250	250 x 120	40	32	25	25	12	24/25 x 200	46	170	170	173
2010.	.2525.	3.	250 x 250	120 x 250	250 x 120	32	40	25	25	12	24/25 x 200	46	170	170	173
2010.	.2525.	4.	250 x 250	120 x 250	250 x 120	32	32	25	25	12	24/25 x 200	46	170	170	173
2010.	.3116.	1.	315 x 160	165 x 160	-	50	50	32	32	12	30/32 x 224	53	225	-	-
2010.	.3116.	2.	315 x 160	165 x 160	-	50	40	32	32	12	30/32 x 224	53	225	-	-
2010.	.3116.	3.	315 x 160	165 x 160	-	40	50	32	32	12	30/32 x 224	53	225	-	-
2010.	.3116.	4.	315 x 160	165 x 160	-	40	40	32	32	12	30/32 x 224	53	225	-	-
2010.	.3120.	1.	315 x 200	165 x 200	315 x 50	50	50	32	32	12	30/32 x 224	53	225	110	228
2010.	.3120.	2.	315 x 200	165 x 200	315 x 50	50	40	32	32	12	30/32 x 224	53	225	110	228
2010.	.3120.	3.	315 x 200	165 x 200	315 x 50	40	50	32	32	12	30/32 x 224	53	225	110	228
2010.	.3120.	4.	315 x 200	165 x 200	315 x 50	40	40	32	32	12	30/32 x 224	53	225	110	228
2010.	.3125.	1.	315 x 250	165 x 250	315 x 100	50	50	32	32	12	30/32 x 224	53	225	160	228
2010.	.3125.	2.	315 x 250	165 x 250	315 x 100	50	40	32	32	12	30/32 x 224	53	225	160	228
2010.	.3125.	3.	315 x 250	165 x 250	315 x 100	40	50	32	32	12	30/32 x 224	53	225	160	228
2010.	.3125.	4.	315 x 250	165 x 250	315 x 100	40	40	32	32	12	30/32 x 224	53	225	160	228
2010.	.3131.	1.	315 x 315	165 x 315	315 x 165	50	50	32	32	12	30/32 x 224	53	225	225	228
2010.	.3131.	2.	315 x 315	165 x 315	315 x 165	50	40	32	32	12	30/32 x 224	53	225	225	228
2010.	.3131.	3.	315 x 315	165 x 315	315 x 165	40	50	32	32	12	30/32 x 224	53	225	225	228
2010.	.3131.	4.	315 x 315	165 x 315	315 x 165	40	40	32	32	12	30/32 x 224	53	225	225	228
2010.	.4020.	1.	400 x 200	250 x 200	400 x 50	50	50	32	32	12	30/32 x 224	53	310	110	313
2010.	.4020.	2.	400 x 200	250 x 200	400 x 50	50	40	32	32	12	30/32 x 224	53	310	110	313
2010.	.4020.	3.	400 x 200	250 x 200	400 x 50	40	50	32	32	12	30/32 x 224	53	310	110	313
2010.	.4020.	4.	400 x 200	250 x 200	400 x 50	40	40	32	32	12	30/32 x 224	53	310	110	313
2010.	.4025.	1.	400 x 250	250 x 250	400 x 100	50	50	32	32	12	30/32 x 224	53	310	160	313
2010.	.4025.	2.	400 x 250	250 x 250	400 x 100	50	40	32	32	12	30/32 x 224	53	310	160	313
2010.	.4025.	3.	400 x 250	250 x 250	400 x 100	40	50	32	32	12	30/32 x 224	53	310	160	313
2010.	.4025.	4.	400 x 250	250 x 250	400 x 100	40	40	32	32	12	30/32 x 224	53	310	160	313
2010.	.4031.	1.	400 x 315	250 x 315	400 x 165	50	50	32	32	12	30/32 x 224	53	310	225	313
2010.	.4031.	2.	400 x 315	250 x 315	400 x 165	50	40	32	32	12	30/32 x 224	53	310	225	313

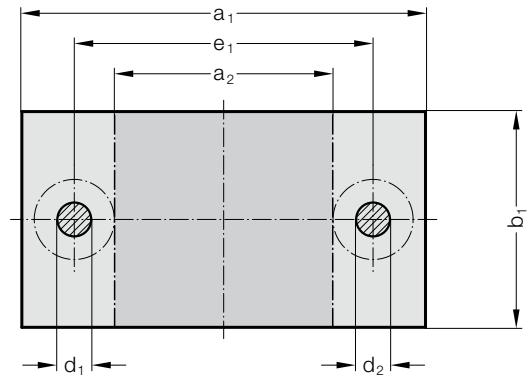
# DIE SET WITH STRIPPER ~DIN 9868/ISO 11415



2010.

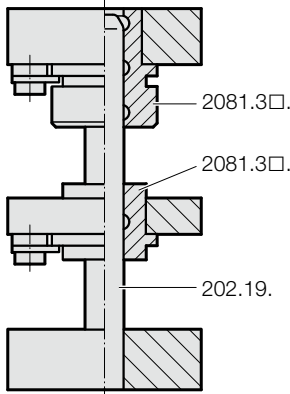


2010.□5.

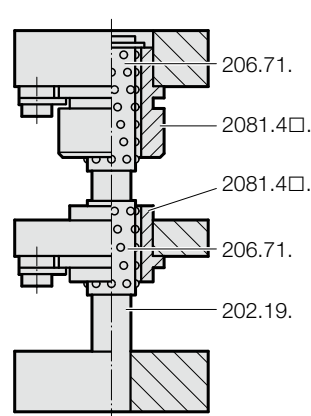


## Standard Guide Systems

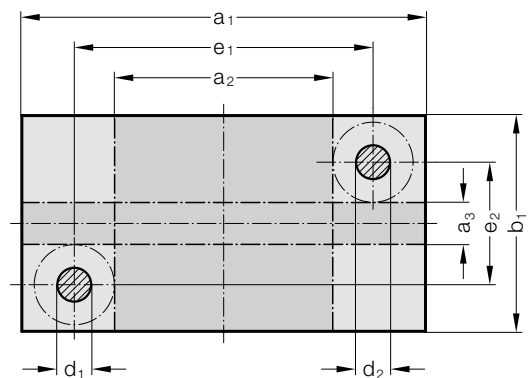
Headed Sintered Ferrite Bushes, carbonitrided = .835.



Headed Ball Bearing Bushes = .865.



2010.□6.



## Description:

FIBRO Die Sets offer the choice between sintered ferrite sliding guides and those of the ball bearing type to DIN-ISO. Both come with headed guide bushes. These are seated in push-fit bolster bores and retained there by screw clamps.

## Execution:

Steel: External contours milled, thickness surfaces ground

$a_1$  or  $b_1 \leq 630 = +0.2/+0.4$

$a_1$  or  $b_1 > 630 = +0.2/+0.6$

Aluminium: External contours sawn, thickness surfaces ground

$a_1$  or  $b_1 = +1/+4$

## Order note:

Hole pattern for the screw clamps depends on positioning of working surface:

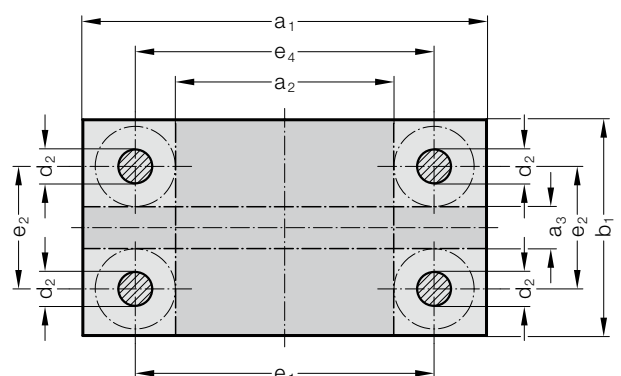
e.g. 2010.49.2520.4.865.1 lengthwise

e.g. 2010.49.2520.4.865.2 crosswise

## Note:

On request, Standard Die Sets can also be fitted with any other FIBRO Guide Elements (see die sets to customers' drawings). FIBRO will furthermore supply die sets with special machining features.

2010.□9.



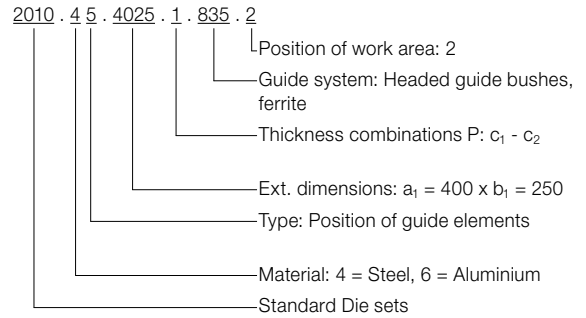
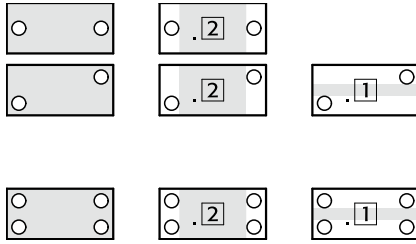
# DIE SET WITH STRIPPER ~DIN 9868/ISO 11415

2010. □□.

Ordering Code (principle):

Type

2010.□5.  
2010.□6.  
  
2010.□9.



Order No						external dimensions a <sub>1</sub> × b <sub>1</sub>	Work area crosswise a <sub>2</sub> × b <sub>1</sub>	Work area along a <sub>1</sub> × a <sub>3</sub>	c <sub>1</sub> ± 2	c <sub>2</sub> ± 2	c <sub>3</sub> ± 2	c <sub>4</sub>	c <sub>5</sub>	d <sub>1</sub> /d <sub>2</sub> x l	D	e <sub>1</sub>	e <sub>2</sub>	e <sub>4</sub>
2010.						400 x 315	250 x 315	400 x 165	40	50	32	32	12	30/32 x 224	53	310	225	313
2010.						400 x 315	250 x 315	400 x 165	40	40	32	32	12	30/32 x 224	53	310	225	313
2010.						400 x 400	250 x 400	400 x 250	50	50	32	32	12	30/32 x 224	53	310	310	313
2010.						400 x 400	250 x 400	400 x 250	50	40	32	32	12	30/32 x 224	53	310	310	313
2010.						400 x 400	250 x 400	400 x 250	40	50	32	32	12	30/32 x 224	53	310	310	313
2010.						400 x 400	250 x 400	400 x 250	40	40	32	32	12	30/32 x 224	53	310	310	313
2010.						500 x 250	330 x 250	500 x 80	50	50	32	32	15	38/40 x 224	63	400	150	403
2010.						500 x 250	330 x 250	500 x 80	50	40	32	45	15	38/40 x 224	63	400	150	403
2010.						500 x 250	330 x 250	500 x 80	40	50	32	32	15	38/40 x 224	63	400	150	403
2010.						500 x 250	330 x 250	500 x 80	40	40	32	45	15	38/40 x 224	63	400	150	403
2010.						500 x 315	330 x 315	500 x 145	50	50	32	32	15	38/40 x 224	63	400	215	403
2010.						500 x 315	330 x 315	500 x 145	50	40	32	45	15	38/40 x 224	63	400	215	403
2010.						500 x 315	330 x 315	500 x 145	40	50	32	32	15	38/40 x 224	63	400	215	403
2010.						500 x 315	330 x 315	500 x 145	40	40	32	45	15	38/40 x 224	63	400	215	403
2010.						500 x 400	330 x 400	500 x 230	50	50	32	32	15	38/40 x 224	63	400	300	403
2010.						500 x 400	330 x 400	500 x 230	50	40	32	45	15	38/40 x 224	63	400	300	403
2010.						500 x 400	330 x 400	500 x 230	40	50	32	32	15	38/40 x 224	63	400	300	403
2010.						500 x 400	330 x 400	500 x 230	40	40	32	45	15	38/40 x 224	63	400	300	403
2010.						500 x 500	330 x 500	500 x 330	50	50	32	32	15	38/40 x 224	63	400	400	403
2010.						500 x 500	330 x 500	500 x 330	50	40	32	45	15	38/40 x 224	63	400	400	403
2010.						500 x 500	330 x 500	500 x 330	40	50	32	32	15	38/40 x 224	63	400	400	403
2010.						500 x 500	330 x 500	500 x 330	40	40	32	45	15	38/40 x 224	63	400	400	403
2010.						630 x 315	430 x 315	630 x 115	63	63	40	36	18	48/50 x 280	77	510	195	513
2010.						630 x 315	430 x 315	630 x 115	63	50	40	50	18	48/50 x 280	77	510	195	513
2010.						630 x 315	430 x 315	630 x 115	50	63	40	36	18	48/50 x 250	77	510	195	513
2010.						630 x 315	430 x 315	630 x 115	50	50	40	50	18	48/50 x 250	77	510	195	513
2010.						630 x 400	430 x 400	630 x 200	63	63	40	36	18	48/50 x 280	77	510	280	513
2010.						630 x 400	430 x 400	630 x 200	63	50	40	50	18	48/50 x 280	77	510	280	513
2010.						630 x 400	430 x 400	630 x 200	50	63	40	36	18	48/50 x 250	77	510	280	513
2010.						630 x 400	430 x 400	630 x 200	50	50	40	50	18	48/50 x 250	77	510	280	513
2010.						630 x 500	430 x 500	630 x 300	63	63	40	36	18	48/50 x 280	77	510	380	513
2010.						630 x 500	430 x 500	630 x 300	63	50	40	50	18	48/50 x 280	77	510	380	513
2010.						630 x 500	430 x 500	630 x 300	50	63	40	36	18	48/50 x 250	77	510	380	513
2010.						630 x 500	430 x 500	630 x 300	50	50	40	50	18	48/50 x 250	77	510	380	513
2010.						630 x 630	430 x 630	630 x 430	63	63	40	36	18	48/50 x 280	77	510	510	513
2010.						630 x 630	430 x 630	630 x 430	63	50	40	50	18	48/50 x 280	77	510	510	513
2010.						630 x 630	430 x 630	630 x 430	50	63	40	36	18	48/50 x 250	77	510	510	513
2010.						630 x 630	430 x 630	630 x 430	50	50	40	50	18	48/50 x 250	77	510	510	513
2010.						710 x 400	510 x 400	710 x 200	63	63	40	36	18	48/50 x 280	77	590	280	593
2010.						710 x 400	510 x 400	710 x 200	63	50	40	50	18	48/50 x 280	77	590	280	593
2010.						710 x 400	510 x 400	710 x 200	50	63	40	36	18	48/50 x 250	77	590	280	593
2010.						710 x 400	510 x 400	710 x 200	50	50	40	50	18	48/50 x 250	77	590	280	593
2010.						710 x 500	510 x 500	710 x 300	63	63	40	36	18	48/50 x 280	77	590	380	593
2010.						710 x 500	510 x 500	710 x 300	63	50	40	50	18	48/50 x 280	77	590	380	593
2010.						710 x 500	510 x 500	710 x 300	50	63	40	36	18	48/50 x 250	77	590	380	593
2010.						710 x 500	510 x 500	710 x 300	50	50	40	50	18	48/50 x 250	77	590	380	593
2010.						710 x 630	510 x 630	710 x 430	63	63	40	36	18	48/50 x 280	77	590	510	593
2010.						710 x 630	510 x 630	710 x 430	63	50	40	50	18	48/50 x 280	77	590	510	593
2010.						710 x 630	510 x 630	710 x 430	50	63	40	36	18	48/50 x 250	77	590	510	593
2010.						710 x 630	510 x 630	710 x 430	50	50	40	50	18	48/50 x 250	77	590	510	593
2010.						800 x 400	600 x 400	800 x 200	63	63	40	36	18	48/50 x 280	77	680	280	683
2010.						800 x 400	600 x 400	800 x 200	63	50	40	50	18	48/50 x 280	77	680	280	683
2010.						800 x 400	600 x 400	800 x 200	50	63	40	36	18	48/50 x 250	77	680	280	683
2010.						800 x 400	600 x 400	800 x 200	50	50	40	50	18	48/50 x 250	77	680	280	683
2010.						800 x 500	600 x 500	800 x 300	63	63	40	36	18	48/50 x 280	77	680	380	683
2010.						800 x 500	600 x 500	800 x 300	63	50	40	50	18	48/50 x 280	77	680	380	683
2010.						800 x 500	600 x 500	800 x 300	50	63	40	36	18	48/50 x 250	77	680	380	683
2010.						800 x 500	600 x 500	800 x 300	50	50	40	50	18	48/50 x 250	77	680	380	683
2010.						800 x 630	600 x 630	800 x 430	63	63	40	36	18	48/50 x 280	77	680	510	683
2010.						800 x 630	600 x 630	800 x 430	63	50	40	50	18	48/50 x 280	77	680	510	683
2010.						800 x 630	600 x 630	800 x 430	50	63	40	36	18	48/50 x 250	77	680	510	683
2010.						800 x 630	600 x 630	800 x 430	50	50	40	50	18	48/50 x 250	77	680	510	683