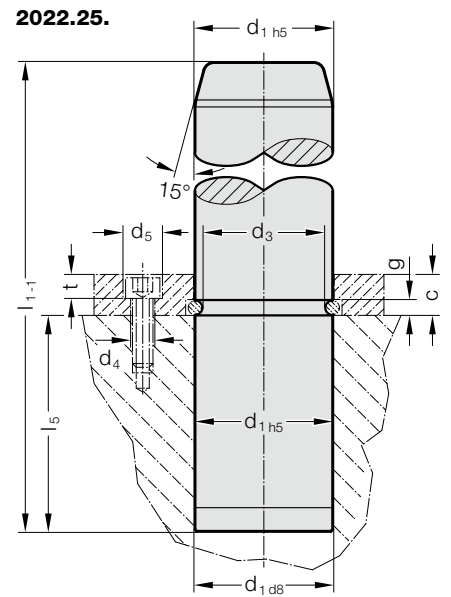


GUIDE PILLAR WITH RETAINING RING GROOVE, ~AFNOR



Material:

Steel, surface hardened
 Surface hardness: 60 + 4 HRC, Hardness penetration 1,5 + 1 mm

Execution:

ground

Note:

Guide pillar is recommended to be used only with guide elements with solid lubricant.

☞ Matching guide combinations, see selection matrix at the beginning of chapter D.

☞ Assembly guide lines / Dimensional requirements and tolerances at the end of chapter D.

Fixing:

Clamping flange with retaining ring, without screws, 2073.46.□□□ order separately.

2022.25. Guide pillar with retaining ring groove, ~AFNOR

d ₁	25	32	40	50	63	80	100
d ₃	22.3	27.8	35.8	45.8	56.8	73.8	93.8
g	2.7	4.2	4.2	4.2	6.2	6.2	6.2
l ₅	25	32	63	80	100	125	160
l ₁							
100	●						
125	●	●					
140	●	●					
160	●	●					
180	●	●	●				
200	●	●	●	●			
220	●	●	●	●	●		
250		●	●	●	●	●	
280			●	●	●	●	
315			●	●	●	●	●
355				●	●	●	●
400				●	●	●	●
450					●	●	●
500						●	●

Ordering Code (example):

Guide pillar with retaining ring groove, ~AFNOR	=	2022.25.
Diameter of conduit d ₁	50 mm =	050.
Length l ₁	220 mm =	220
Order No	=	2022.25. 050. 220