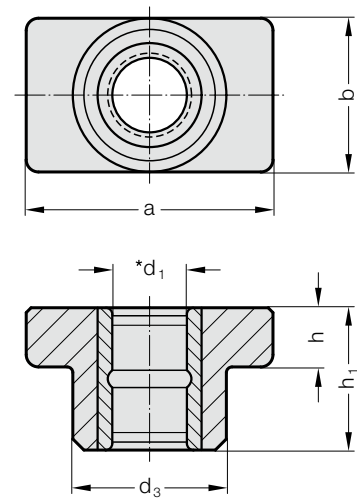


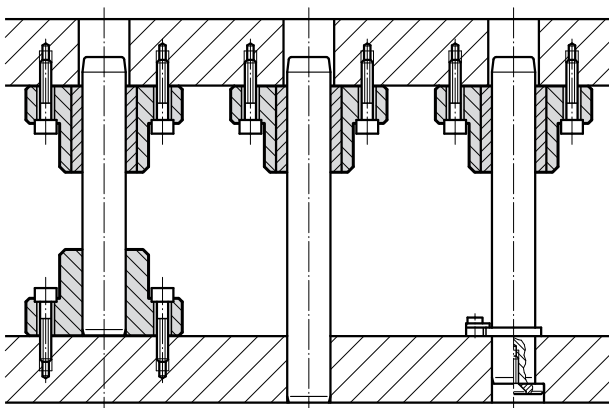
GUIDE BEARING, SINTERED GUIDE



2031.31.



Mounting example



Material:

Basic body: Special cast iron

Guide bush 2031.32.: Sintered ferrite of high purity, carbonitrided, long-term lubrication

Execution:

Face and top machined. Bores honed.

Note:

- ☞ Notes on sliding type guides at the beginning of chapter D.
- ☞ Bearing clearance see pairing classification at the beginning of chapter D.
- ☞ Matching guide combinations, see selection matrix at the beginning of chapter D.

Tolerance range:

yellow = .10

green = .20

red = .30

2031.31. Guide bearing, sintered guide

d_1	15 16	19 20	24 25	30 32	38 40	48 50	60 63	80
d_3	35	45	50	65	80	96	110	130
a	70	85	90	115	130	160	180	215
b	35	45	50	65	80	96	110	130
h	18	18	22	25	30	35	35	40
h_1	30	37	47	60	77	95	120	120

Ordering Code (example):

Guide bearing, sintered guide = 2031.31.

Diameter of conduit d_1 32 mm = 032.

Classification TOL yellow = 10

Order No = 2031.31.032.10