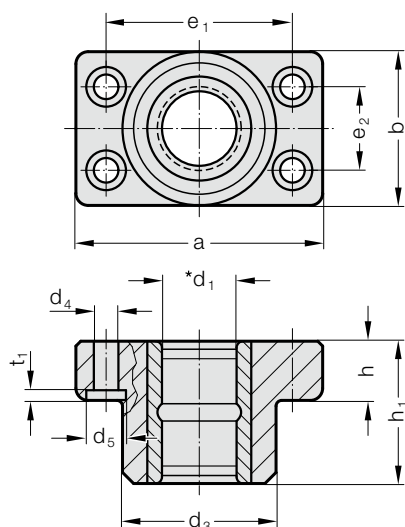


GUIDE BEARING WITH SCREW HOLES, SINTERED GUIDE

2031.34.



Material:

Basic body: Special cast iron

Guide bush 2051.32.: Sintered ferrite of high purity, carbonitrided, long-term lubrication

Execution:

Face and top machined. Bores honed.

Note:

- ☞ Notes on sliding type guides at the beginning of chapter D.
- ☞ Bearing clearance see pairing classification at the beginning of chapter D.
- ☞ Matching guide combinations, see selection matrix at the beginning of chapter D.

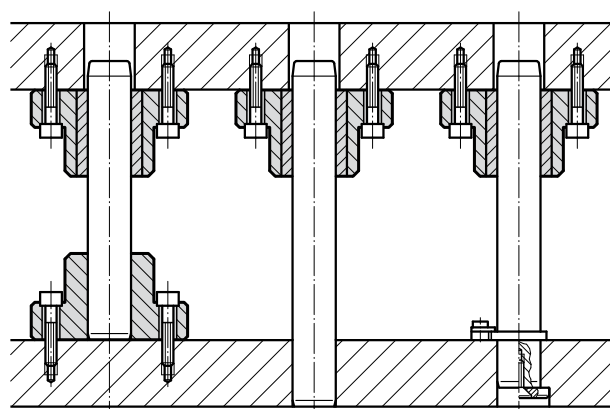
Tolerance range:

yellow = .10

green = .20

red = .30

Mounting example



2031.34. Guide bearing with screw holes, sintered guide

d ₁	15 16	19 20	24 25	30 32	38 40	48 50	60 63	80
d ₃	35	45	50	65	80	96	110	130
d ₄	6.6	9	9	11	14	18	18	22
d ₅	11	15	15	18	20	26	26	33
t ₁	3	3	3	3	3	4	4	4
a	70	85	90	115	130	160	180	215
b	35	45	50	65	80	96	110	130
e ₁	53	64	68	83	95	118	132	160
e ₂	19	24	28	34	45	55	62	75
h	18	18	22	25	30	35	35	40
h ₁	30	37	47	60	77	95	120	120

Ordering Code (example):

Guide bearing with screw holes, sintered guide = 2031.34.

Diameter of conduit d₁ 32 mm = 032.

Classification TOL yellow = 10

Order No = 2031.34. 032. 10