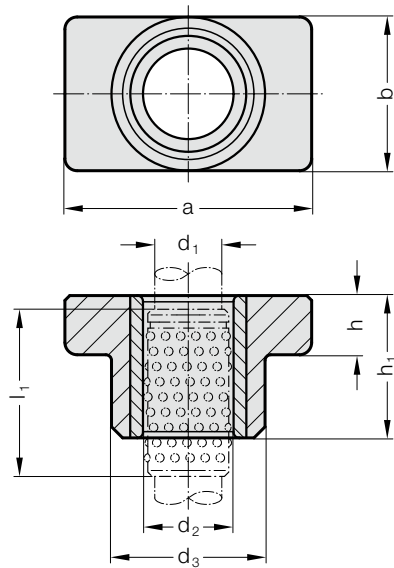


# GUIDE BEARING FOR BALL BEARING GUIDE

2031.41.



**Material:**

Basic body: Special cast iron

Guide bush 2061.44.: Tool steel, Hardness: 62 ± 2 HRC

**Execution:**

Face and top machined. Bores honed.

**Note:**

- ☞ Notes on ball bearing type guides at the beginning of chapter D.
- ☞ Preloading see pairing classification at the beginning of chapter D
- ☞ Matching guide combinations, see selection matrix at the beginning of chapter D.

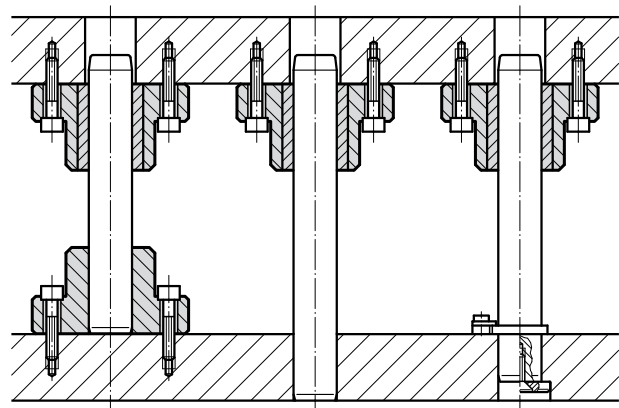
Tolerance range:

yellow = .10

green = .20

red = .30

**Mounting example**



**2031.41. Guide bearing for ball bearing guide**

d <sub>1</sub>	15 16	19 20	24 25	30 32	38 40	48 50	60 63
d <sub>2</sub>	21 22	25 26	30 31	38 40	46 48	56 58	68 71
d <sub>3</sub>	35	45	50	65	80	96	110
a	70	85	90	115	130	160	180
b	35	45	50	65	80	96	110
h	18	18	22	25	30	35	35
h <sub>1</sub>	30	37	47	60	77	95	120
l <sub>1</sub>	44	44	56	71	95	120	140
l*	45	45	56	71	95	120	140

\*l = Nominal ordering length of ball cage - preferred length

**Ordering Code (example):**

Guide bearing for ball bearing guide	=	2031.41.
Diameter of conduit d <sub>1</sub>	32 mm =	032.
Classification TOL	yellow =	10
Order No	=	2031.41. 032. 10