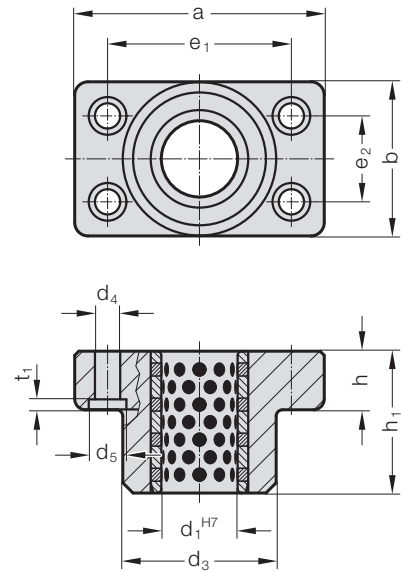


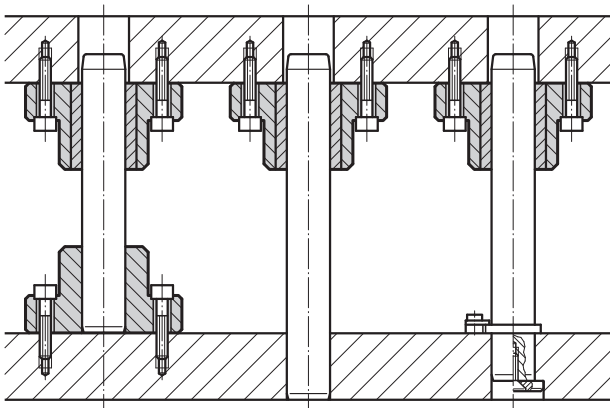
# GUIDE BEARING WITH SOLID LUBRICANT



2031.70.



## Mounting example



## Material:

Basic body: Special cast iron

Guide bush 2052.70.: Bronze with solid lubricant, oilless lubricating

## Execution:

Face and top machined.

## Note:

- ☞ Notes on sliding type guides at the beginning of chapter D.
- ☞ Matching guide combinations, see selection matrix at the beginning of chapter D.

## 2031.70. Guide bearing with solid lubricant

$d_1$	19 20	24 25	30 32	38 40	50	63	80
$d_3$	45	50	65	80	96	110	130
$d_4$	9	9	11	13.5	17.5	17.5	22
$a$	85	90	115	130	160	180	215
$b$	45	50	65	80	96	110	130
$e_1$	64	68	83	95	118	132	160
$e_2$	24	28	34	45	55	62	75
$h$	18	22	25	30	35	35	40
$h_1$	37	47	60	77	95	120	120
$t_1$	3	3	3	3	4	4	10

## Ordering Code (example):

Guide bearing with solid lubricant = 2031.70.  
 Diameter of conduit  $d_1$  32 mm = 032  
 Order No = 2031.70. 032