

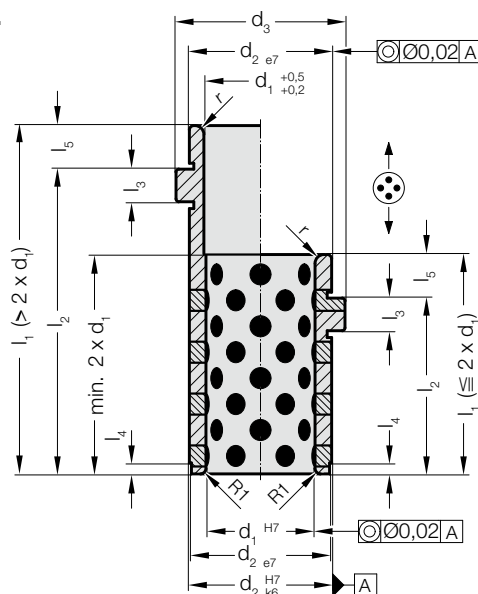
GUIDE BUSH WITH COLLAR, BRONZE WITH SOLID LUBRICANT

2087.70. Guide bush with collar, Bronze with solid lubricant

d_1	9 10	14 15	18 20	22 24	30 32	40 42
d_2	14	20	26	30	42	54
d_3	16	25	31	35	47	60
l_3	3	6	6	6	6	10
l_4	1.5	2	2	3	4	5
l_5	3	6	8	8	8	12
r	0.5	1	2	3	3	3
l_1 / l_2						
15 12	●					
20 17	●					
23 17		●				
25 17			●	●		
25 22	●					
28 22		●				
30 22			●	●		
30 27	●					
33 27		●				
35 27			●	●	●	
39 36	●					
42 36		●				
44 36			●	●	●	
49 46	●					
52 46		●				
54 46			●	●	●	
58 46						●
59 56	●					
62 56		●				
64 56			●	●	●	
68 56						●
69 66	●					
72 66		●				
74 66			●	●	●	
78 66						●
82 76		●				
84 76			●	●	●	
88 76						●
92 86		●				
94 86			●	●	●	
98 86						●
104 96			●	●	●	
108 96						●
124 116			●	●	●	
128 116						●
144 136				●	●	
148 136						●
164 156				●		
168 156						●
208 196						●



2087.70.



Material:

Bronze with solid lubricant, oilless lubricating

Note:

☞ Assembly guide lines / Dimensional requirements and tolerances at the end of chapter D.

Attention:

Bushes can only be used with axial motion!

Ordering Code (example):

Guide bush with collar, Bronze with solid lubricant	=2087.70.
Diameter of conduit d_1	22 mm = 022.
Length with bush l_2	17 mm = 017
Order No	=2087.70. 022. 017