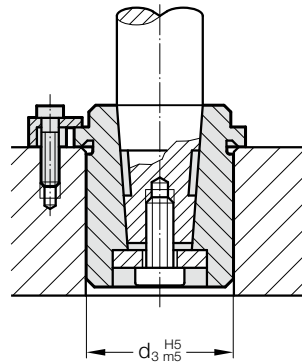


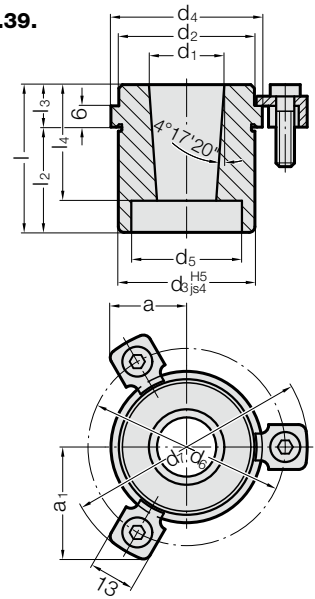
RETAINING BUSH FOR GUIDE PILLAR CONICAL 2021.50.,~AFNOR



Mounting example



210.39.



Material:

16 MnCr5,
 case hardened 58 ± 2 HRC
 Hardness penetration: $\geq 0,8$ mm

Execution:

Retaining bore, outside diameter and shoulder precision ground.

Note:

Outside diameter d_3 same as that of guide bush 210.
 The attachment is with 3 Screw clamp, from $\varnothing d_1 = 38$ with 4 Screw clamp, which are included in delivery (Order No: 207.45 - Screw clamp incl. socket cap screw DIN 6912, Head $\varnothing 13$).
 Assembly guide lines / Dimensional requirements and tolerances at the end of chapter D.

210.39. Retaining bush for guide pillar conical 2021.50.,~AFNOR

d_1	16	20	25	32	40	50	63
d_2	29	32	41	51	65	84	100
d_3	28	32	40	50	63	80	90
d_4	32	36	45	56	70	90	110
d_5	19	23	26	33	41	51	64
d_6	45	49	57	67	81	101	121
d_7	57.7	61.7	69.7	79.7	93.7	113.7	133.7
a	18.9	19.9	21.9	24.4	36	43	50.1
a_1	26.9	28.6	32.1	36.4	36	43	50.1
l	40	50	50 60	63 76	63 76	79 96	98 118
l_2	30	38	38 48	48 61	48 61	61 78	78 98
l_3	10	12	12	15	15	18	20
l_4	30	40	37 47	50 63	50 63	63 80	79 99

Ordering Code (example):

Retaining bush for guide pillar conical 2021.50.,~AFNOR	=	210.39.
Nominal diameter d_1	40 mm =	040.
Installation length l_2	48 mm =	048
Order No	=	210.39. 040. 048