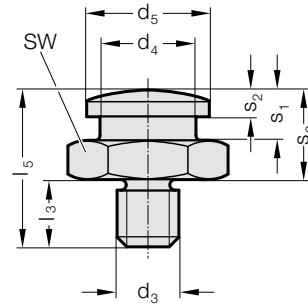


COUPLING SPIGOT WITH THREAD

COUPLING SPIGOT WITH FLANGE



212.11.



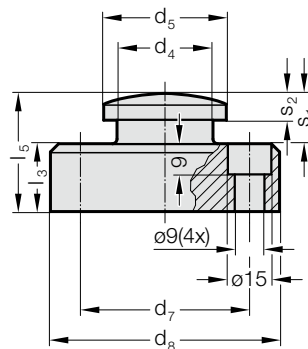
212.11. Coupling spigot with thread

Order No	d ₃	d ₄	d ₅	l ₃	l ₅	s ₁	s ₂	s ₃	SW*
212.11.016	M16x1.5	25	32	18	41	13	6.5	23	36
212.11.020	M20x1.5	32	48	23	64	19	9.5	41	50
212.11.024	M24x1.5	32	48	23	64	19	9.5	41	50
212.11.030	M30x2	32	48	23	66	19	9.5	43	60

* SW = Width across flats



212.15.



212.15. Coupling spigot with flange

Order No	d ₄	d ₅	d ₇	d ₈	l ₃	l ₅	s ₁	s ₂
212.15.063	25	32	46	63	18	31	13	6.5
212.15.080	32	48	63	80	18	37	19	9.5
212.15.097	32	48	80	97	23	42	19	9.5
212.15.122	32	48	105	122	23	42	19	9.5