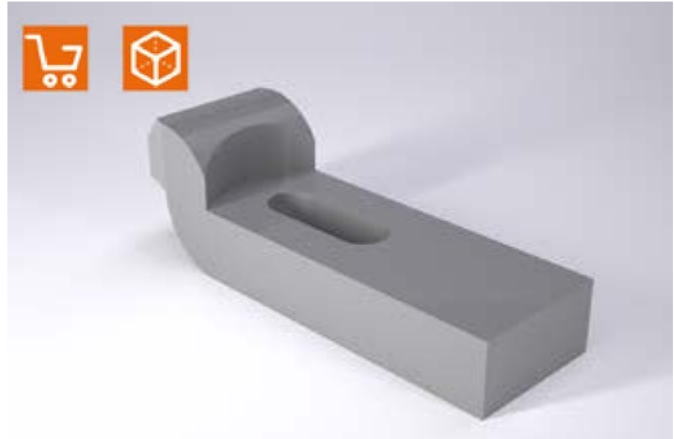
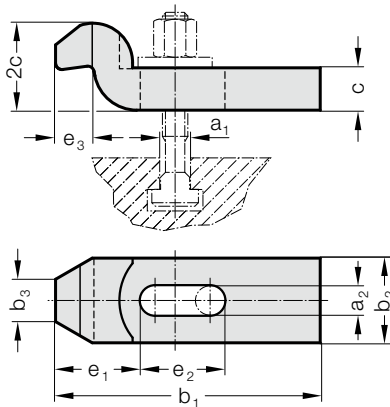


CLAMP, GOOSE NECK SHAPE, DIN 6316

CLAMP, GOOSE NECK SHAPE, WITH SETSCREW

2140.18.



2140.18. Clamp, goose neck shape, DIN 6316

Order No	a ₁	a ₂	b ₁	b ₂	b ₃	c	e ₁	e ₂	e ₃
2140.18.09.080	8	9	80	25	12	12	25	25	9
2140.18.11.100	10	11	100	30	15	15	32	32	12
2140.18.14.125	12	14	125	40	20	20	40	40	16
2140.18.18.125	12	14	125	50	25	25	49	49	20
2140.18.18.160	16	18	160	50	25	25	49	50	20
2140.18.22.160	20	22	220	60	30	30	55	55	24
2140.18.22.200	20	22	200	60	30	30	55	70	24
2140.18.26.200	24	26	200	70	35	30	72	60	28
2140.18.26.250	24	26	250	70	35	35	72	80	28

Material:

Heat-treated steel, painted

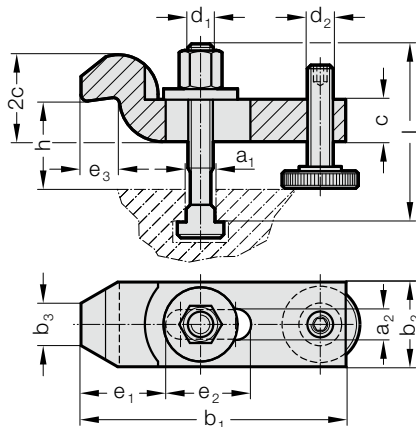
Note:

Holding and contact surfaces are plane-parallel. High clamping forces can be achieved by using high-strength screws conforming to DIN 787. The dimensions of the holding strap should be matched to the strength of the bolts.

Supplied without clamping bolt,
suitable clamping bolts: 2140.30.

2140.18.26.250: c = 35 mm, does not conform to DIN

2140.11.



2140.11. Clamp, goose neck shape,
with setscrew

Order No	a ₁	a ₂	b ₁	b ₂	b ₃ ,c	d _{1,2}	e ₁	e ₂	e ₃	h*	Clamping bolt d ₁ x a ₁ x l	
2140.11.10	10	11	100	30	15	M10	32	32	12	22	- 46	M10x10x80
2140.11.12	12	14	125	40	20	M12	40	40	16	28	- 58	M12x12x100
2140.11.14	14	14	125	40	20	M12	40	40	16	28	- 56	M12x14x100
2140.11.16	16	18	160	50	25	M16	49	50	20	36	- 72	M16x16x125
2140.11.18	18	18	160	50	25	M16	49	50	20	36	- 69	M16x18x1125
2140.11.20	20	22	200	60	30	M20	55	70	24	43	- 92	M20x20x160
2140.11.22	22	22	200	60	30	M20	55	70	24	43	- 92	M20x20x160

*Clamping height depends on the groove depth

Material:

Heat-treated steel, painted

Note:

Supplied with setscrew and clamping bolt for T grooves conforming to DIN 787 8.8 with nut and washer.