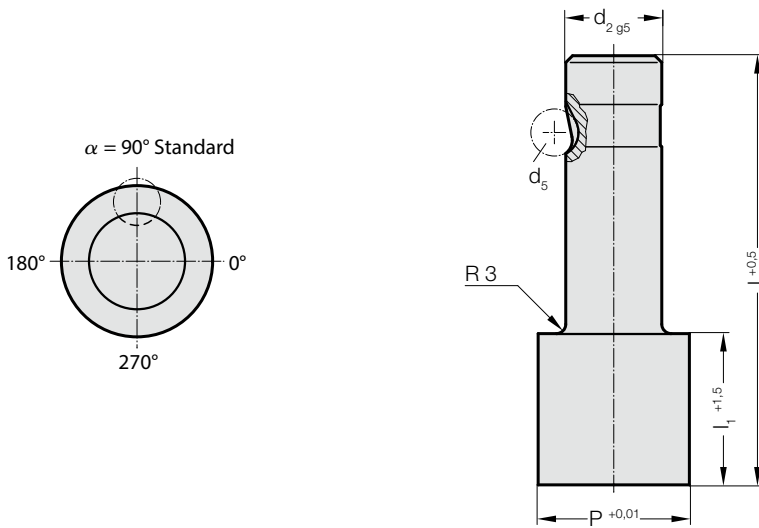


BALL-LOCK PUNCH, PUNCH LARGER THAN SHAFT, BLANK, LIGHT DUTY

2204.

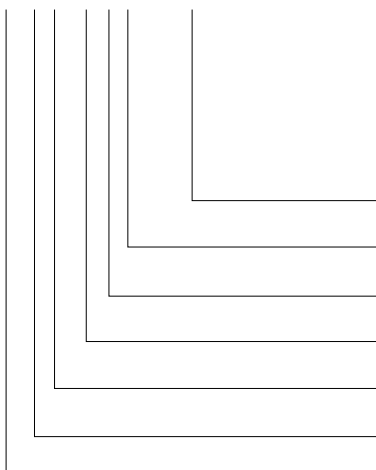


2204. Ball-Lock punch, punch larger than shaft, blank, light duty

d ₂ / Order No	d ₅	P	l ₁ / Order No	l (Order Code character)	80 (E)	90 (F)	100 (G)
13 / (3)	8	32	19 / (2) 30 / (4)		●	●	●
16 / (4)	8	38	19 / (2) 30 / (4)		●	●	●
20 / (5)	8	40	19 / (2) 30 / (4)		●	●	●
25 / (6)	8	44	19 / (2) 30 / (4)		●	●	●
32 / (7)	8	50	19 / (2) 30 / (4)		●	●	●

Ordering Code (example):

2204.4F4.3800



Shape: round

P = Ø 38 mm

Punch cutting length: l₁
30 mm

Length: l
90 mm

Diameter: d₂
16 mm

Type:
punch larger, light

Execution:
blank

Punch:
without ejector pin

= 3800

Order No
= (4)

Order Code character
= (F)

Order No
= (4)

Order No
= (4)

Order No
= (0)

= 22

Material:

HSS

Hardness 62 ± 2 HRC

Execution:

Shaft and punch diameter fine ground.

Special dimensions on request.