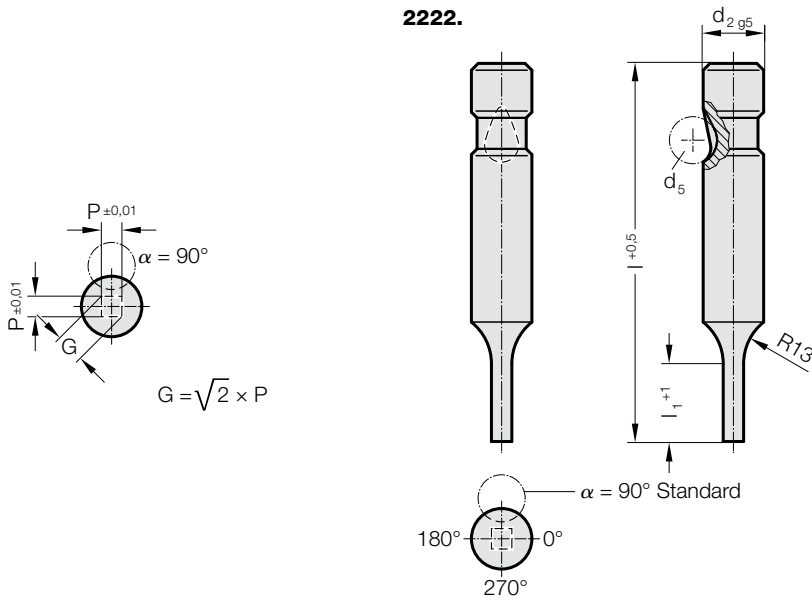


BALL-LOCK PUNCH, STEPPED, SQUARE, LIGHT DUTY



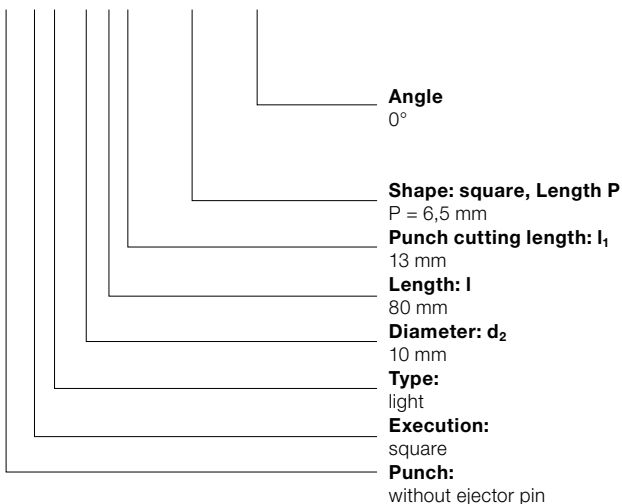
2222. Ball-Lock punch, stepped, square, light duty

d ₂ / Order No	d ₅	P _{min}	G _{max}	l ₁ / Order No	l (Order Code character)	63 (C)	71 (D)	80 (E)	90 (F)	100 (G)
6 / (1)	6	1.6	5.9	13(1)		●	●	●	●	●
10 / (2)	8	1.6	9.9	13(1) 19(2)		●	●	●	●	●
13 / (3)	8	4.5	12.9	13(1) 19(2)		●	●	●	●	●
16 / (4)	8	6	15.9	13(1) 19(2) 25(3)		●	●	●	●	●
20 / (5)	8	8	19.9	13(1) 19(2) 25(3)		●	●	●	●	●
25 / (6)	8	10	24.9	13(1) 19(2) 25(3)		●	●	●	●	●
32 / (7)	8	12.5	31.9	13(1) 19(2) 25(3)			●	●	●	●
38 / (8)	8	14	37.9	19(2) 25(3) 30(4)				●	●	●

l₁=10 where P < 2.20

Ordering Code (example):

2222.2E1.0650.A



Order Code character
= (A)

= 0650

Order No
= (1)

Order Code character
= (E)

Order No
= (2)

Order No
= (2)

Order No
= (2)

= 22

Material:

HSS

Hardness 62 ± 2 HRC

Execution:

Shaft and punch shape fine ground.
Special dimensions on request.

Note:

With kerf ≤ 0.04 mm, FIBRO rounds off sharp edges if the punch and piercing die bush are ordered together. This reduces the fitting time and the risk of an edge break during operation.