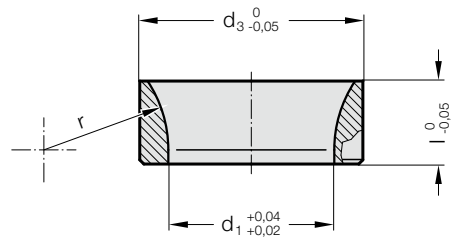


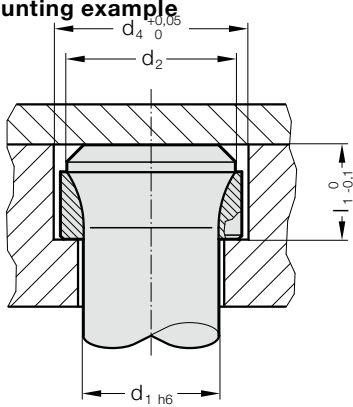
MOUNTING RING FOR PUNCH WITH TAPERED HEAD



2284.00.01.



Mounting example



2284.00.01. Mounting ring for punch with tapered head

Order No	d ₁	d ₂	d ₃	d ₄	l	l ₁	r
2284.00.01.0300	3	4.5	5.9	6	4	7	6.5
2284.00.01.0400	4	5.5	6.9	7	4	8	8
2284.00.01.0500	5	7	8.9	9	7	11	10
2284.00.01.0600	6	9	10.9	11	7	11	10
2284.00.01.0800	8	11	12.9	13	8	12	12
2284.00.01.1000	10	14	15.9	16	9	13	15
2284.00.01.1300	13	17	18.9	19	9	13	15
2284.00.01.1600	16	20	21.9	22	9	13	15
2284.00.01.2000	20	25	26.9	27	10	14	15

Material:

Tool steel, heat-treated

Note:

Used for punch with tapered neck