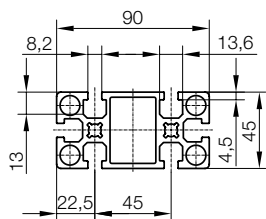
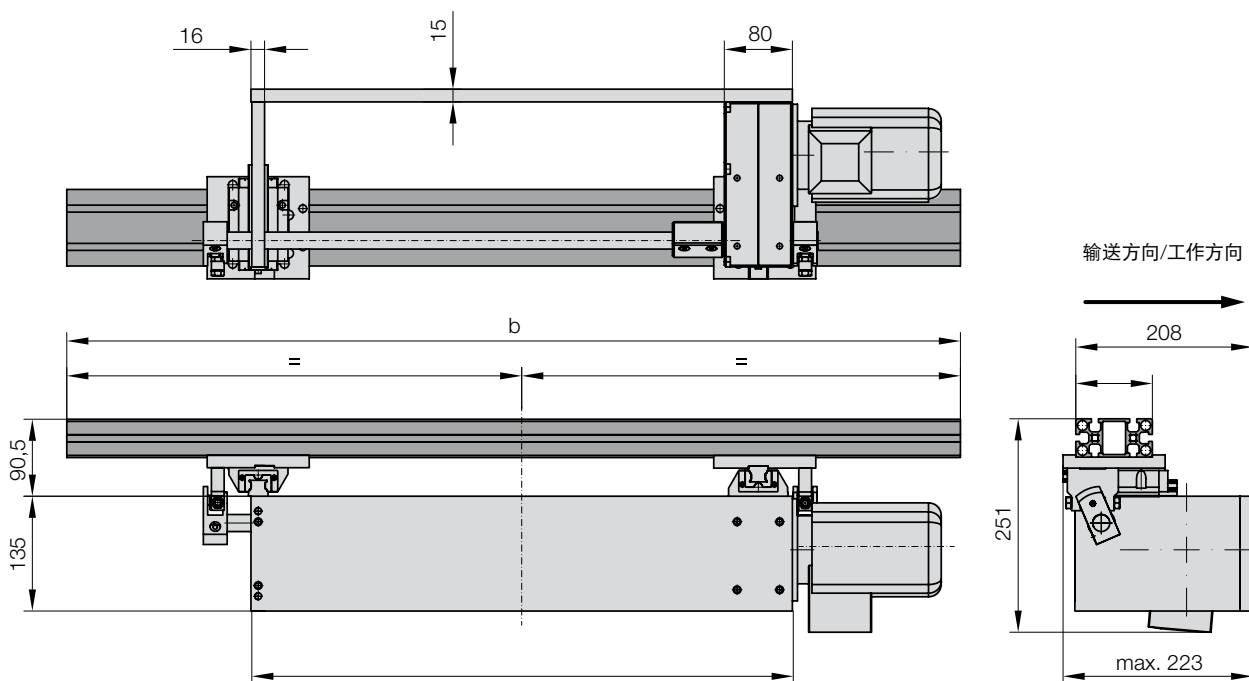


机电输送装置, 水平传动轴承, 2 个滑块, 带型材和支架



2299.122.



2299.122. 机电输送装置, 水平传动轴承, 2 个滑块, 带型材和支架

b	1,300	1,400	1,500	1,600	1,700	1,800	1,900	2,000	2,100	2,200	2,300	2,400	2,500	2,600	2,700	2,800	2,900	3,000	
a	-----																		
900	●	●	●	●	●														
1200						●	●	●	●	●	●	●	●	●	●	●	●	●	●
1500													●	●	●	●	●	●	●

订购示例:

机电输送装置, 水平传动轴承, 2 个滑块, 带型材和支架 = 2299.122.

b = 2200 mm = 2200.

a = 1200 mm = 1200

订购编号 = 2299.122. 2200. 1200