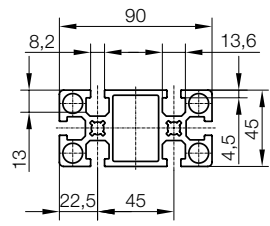
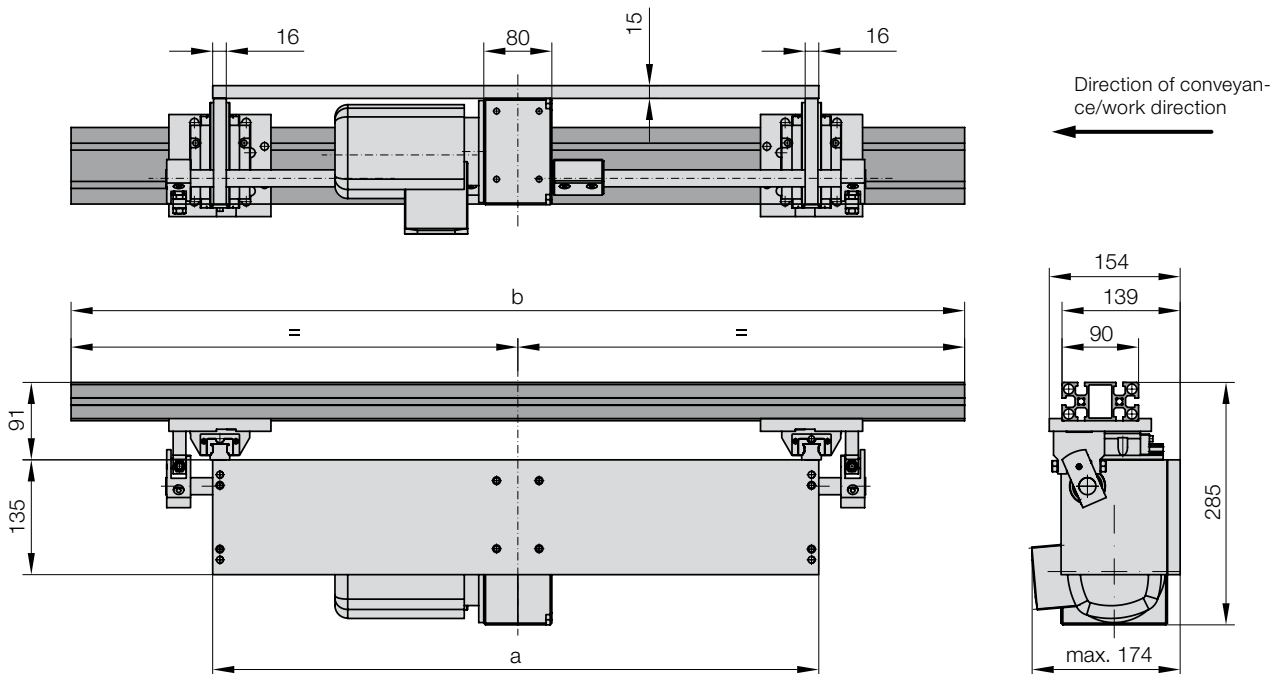


ELECTRO-MECHANICAL TRANSPORTER, VERTICAL CENTRE GEAR POSITION, 2 CARRIAGES, WITH PROFILE AND SUPPORT



2299.221.



2299.221. Electro-mechanical transporter, vertical centre gear position, 2 carriages, with profile and support

b	3,100	3,200	3,300	3,400	3,500	3,600	3,700	3,800	3,900	4,000	4,100	4,200	4,300	4,400	4,500	4,600	4,700	4,800	4,900	5,000					
a	●																								
1720	●	●	●	●	●	●																			
2320							●	●	●	●	●	●	●	●	●	●	●	●	●	●	●				
2920															●	●	●	●	●	●	●	●	●	●	●

Ordering Code (example):

Electro-mechanical transporter, vertical centre gear position, 2 carriages, with profile and support	= 2299.221.
b = 3400 mm	= 3400.
a = 1720 mm	= 1720
Order No	= 2299.221.3400.1720