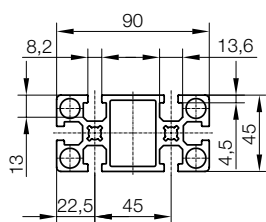
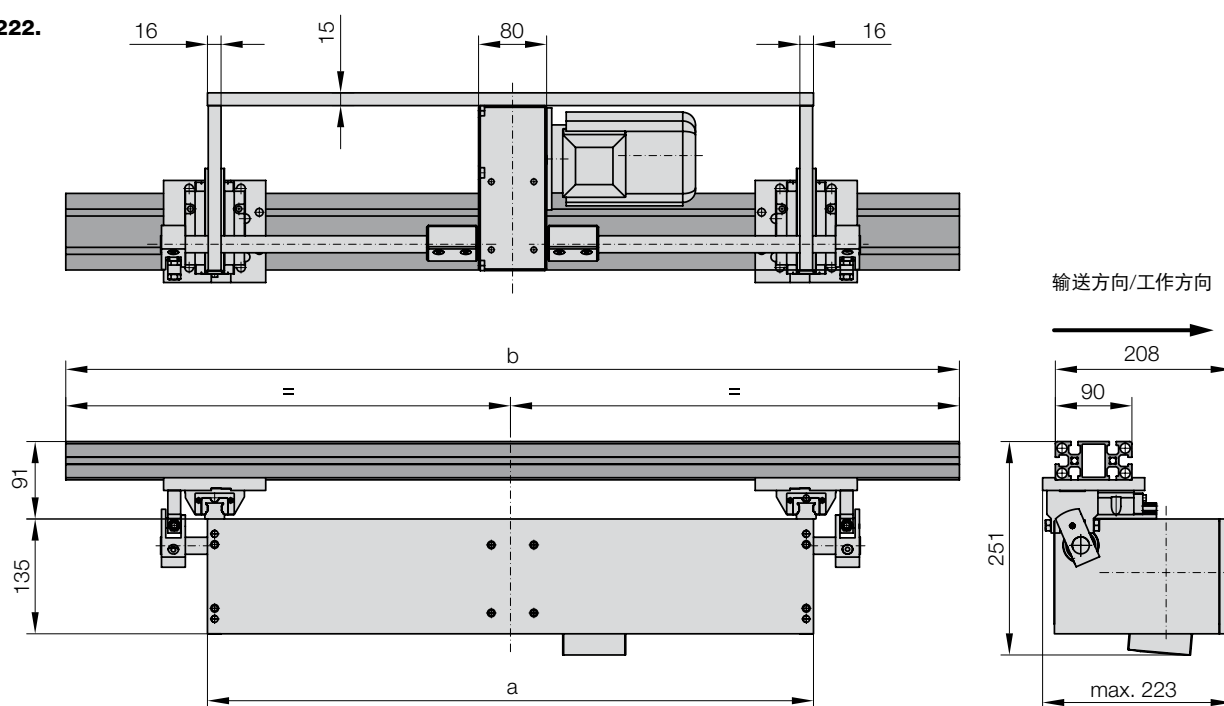


机电输送装置, 中间水平传动轴承, 2 个滑块, 带型材和支架



2299.222.



2299.222. 机电输送装置, 中间水平传动轴承, 2 个滑块, 带型材和支架

b	3,100	3,200	3,300	3,400	3,500	3,600	3,700	3,800	3,900	4,000	4,100	4,200	4,300	4,400	4,500	4,600	4,700	4,800	4,900	5,000			
a																							
1720	●	●	●	●	●	●																	
2320								●	●	●	●	●	●	●	●	●	●	●	●	●	●		
2920														●	●	●	●	●	●	●	●	●	●

订购示例:

机电输送装置, 中间水平传动轴承, 2 个滑块, 带型材和支架 = 2299.222.

b = 3800 mm = 3800.

a = 2320 mm = 2320

订购编号 = 2299.222.3800.2320