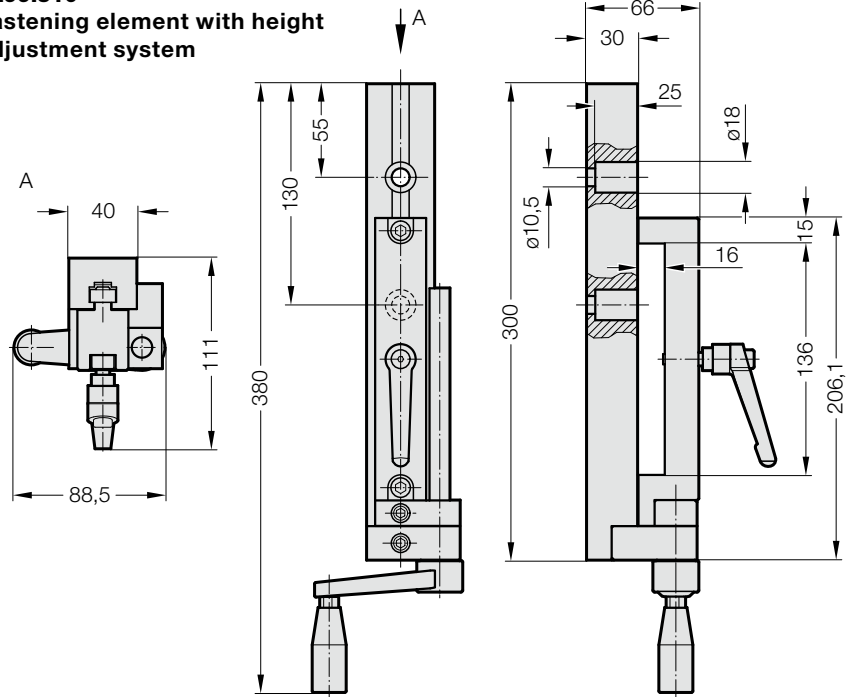


FASTENING ELEMENT WITH HEIGHT ADJUSTMENT SYSTEM FASTENING ELEMENT



2299.510
Fastening element with height adjustment system



2299.510

Note:

For fixing the the transporter 2299.011./012./121./122./221./222. with height equalization.
Adjustment range: 100 mm
Fastening screws 2x M10 are not included in scope of delivery.

2299.511

Note:

For fixing the the transporter 2299.011./012./121./122./221./222. without height equalization.
Fastening screws 2x M8 are not included in scope of delivery.

2299.511
Fastening element

