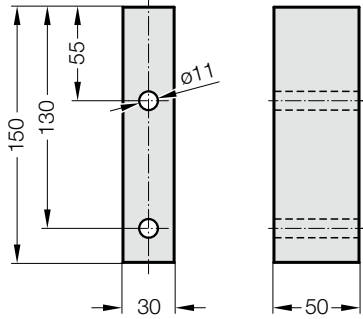
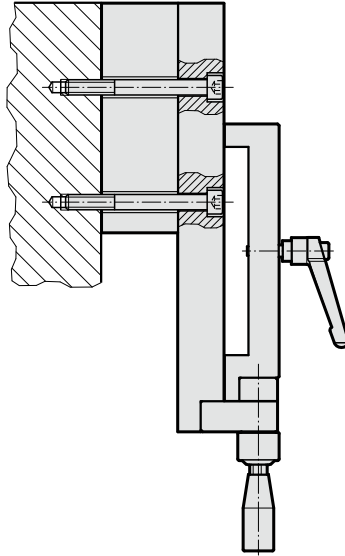


# DISTANCE GUIDE CHANNEL CLAMP

**2299.520**  
Distance



**Application example**

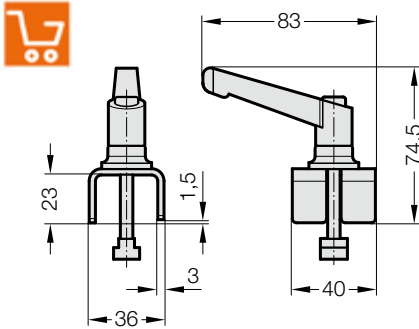


**Note:**

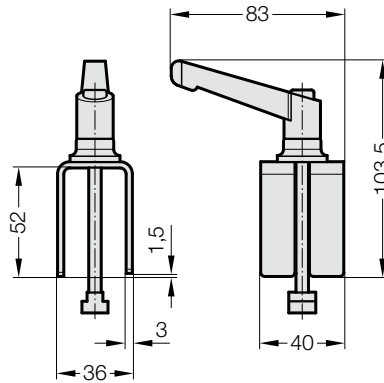
Distance for fastening element with height adjustment 2299.510

Fastening screws 2x M10 are not included in scope of delivery.

**2299.540**  
Guide channel clamp, low version



**2299.541**  
Guide channel clamp, high version



**Note:**

The guiding system tensioners fit the T-slots of the profile used for the transporters.

Max. side wall height of the guiding system (l1):  
2299.540= 23 mm  
2299.541= 52 mm

