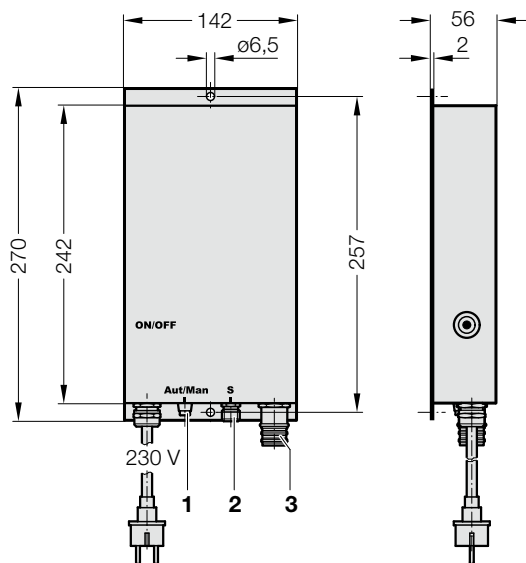


# TRANSPORTER ELECTRICAL - ACCESSORIES

## CONTROL UNIT BLACK LINE, SIGNAL CABLE, CONNECTION CABLE

2299.60.1□100.12/13



### Description:

The control unit is the electrical module for controlling the transporter.

### Material:

Steel  
IP54

### Technical data:

Temperature operating range: -20 to +40 °Celsius (environment temperature)

### Note:

The control unit must be mounted on a metal surface for heat dissipation. Before connecting the electric transporter, check that the channel can move freely in the direction of travel.

Included in the delivery,

Mains connection incl. plugs for USA and GB

Fixing bolts ISO 7380-1 M6 x 8 (x2)

### 1 - Changeover between PLC and manual operation



PLC mode:

In this position, this start/stop function is controlled via the straight signal cable (M12 plug).



Manual mode:

In this position, the start/stop function is controlled by the control unit.

### 2 - 2299.60.81.01. Signal cable straight, to the press

order separately

Order No	l [m]
2299.60.81.01.03	3
2299.60.81.01.05	5
2299.60.81.01.10	10

For further information, see catalogue page for straight signal cable

### 2299.60. Control unit BLACK LINE

Order No*	Connection [V]	Power requirement [A]
2299.60.10100.13	230	1,8 - 3,5
2299.60.12100.12	230	1,2 - 2,2
2299.60.14100.12	230	0,75 - 1,7
2299.60.18100.12	230	0,55 - 1,3

1-phase 110-230 V, 50-60 Hz, earthed connection

\*.13 = potential free output

### 3 - 2299.60.82.01. Connection cable straight/straight, control

unit - transporter

order separately

Order No	l [m]
2299.60.82.01.03	3
2299.60.82.01.05	5
2299.60.82.01.10	10
2299.60.82.01.15	15

### 2299.60.82.02. Connection cable straight/90°, control unit -

transporter

order separately

Order No	l [m]
2299.60.82.02.03	3
2299.60.82.02.05	5
2299.60.82.02.10	10
2299.60.82.02.15	15