

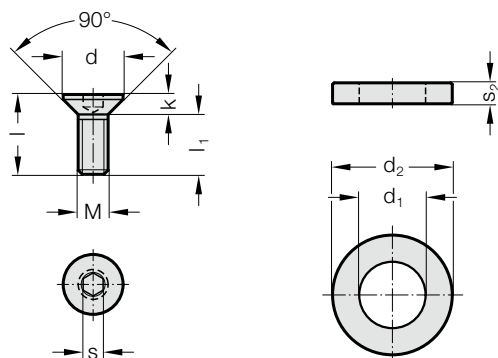
TRANSPORTER ELECTRICAL - ACCESSORIES

CHANNEL FASTENING STANDARD

CHANNEL FASTENING STANDARD, INCLUDING SLOT STONE



2299.69.10.1□.



Description:

The standard channel fastening is a mounting kit for fastening the channel directly to the electric transporter. It consists of 4 flat head screws and 4 washers, self-adhesive.

Material:

2299.69.10.10. Steel, zinc-plated
2299.69.10.11. Stainless steel A2

Note:

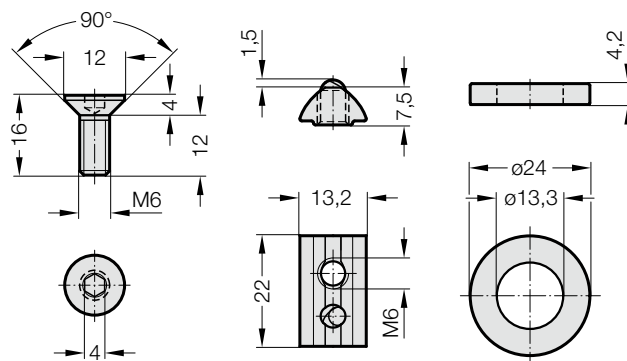
Gutter fastening can be used for gutters with sheet thickness < 1.5 mm.

2299.69.10.1x. Channel fastening standard

Order No	M	d	k	l	l ₁	s	d ₁	d ₂	s ₂	for electric transporter
2299.69.10.10.05	M5	10	2.8	8	5.2	3	13.3	24	4.2	2299.60.18100.
2299.69.10.10.06	M6	12	3.3	10	6.7	4	13.3	24	4.2	2299.60.12100./14100.
2299.69.10.10.06.012	M6	12	3.3	12	8.7	4	13.3	24	4.2	2299.60.10100.
2299.69.10.11.05	M5	10	2.8	8	5.2	3	13.3	24	4.2	2299.61.18100.
2299.69.10.11.06	M6	12	3.3	10	6.7	4	13.3	24	4.2	2299.61.12100./14100.



2299.69.10.20



Description:

The channel fastening, incl. slot stone, is a mounting kit for fastening the channel on the profiled beam. It consists of four slot stones, four countersunk screws and four washers, self-adhesive, which allows continuous adjustment of the channel on the profiled beam after mounting.

Material:

Steel, zinc-plated

Note:

2299.69.10.20 use only for electric transporter, BLACK LINE
2299.60.10100., 2299.60.12100. and 2299.60.14100.

2299.69.10.20 Channel fastening standard, including slot stone