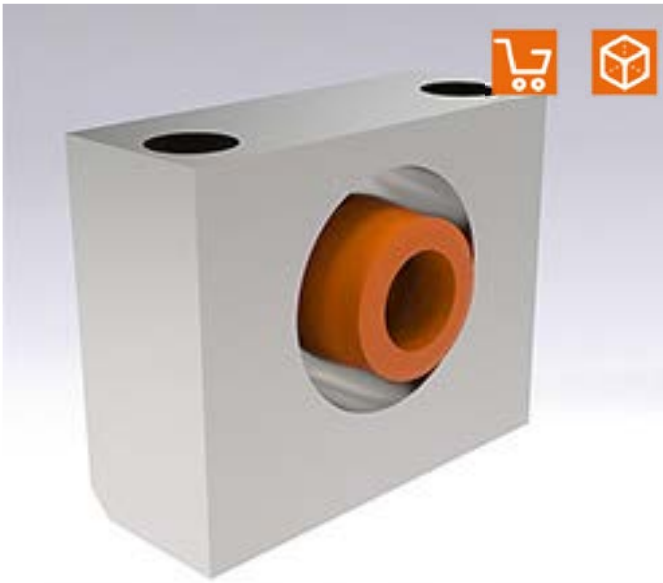
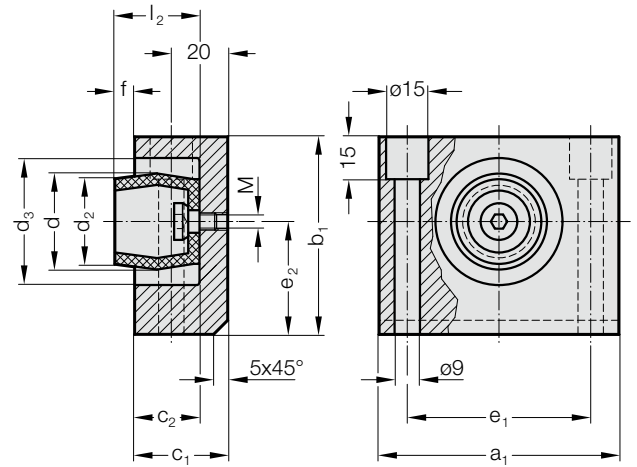


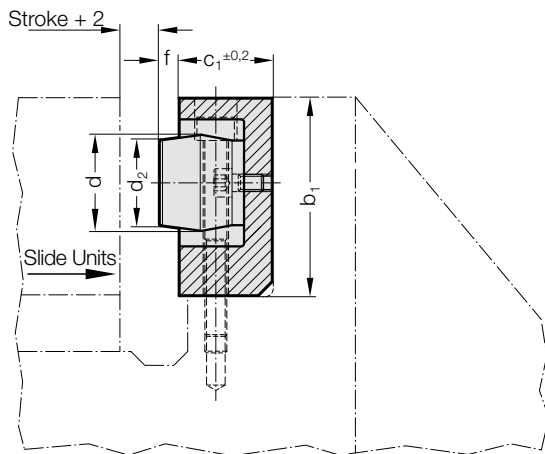
SLIDE STOP



2452.10.



Mounting example



Material:

Mounting block: Steel

Damping unit SD: CO polyester elastomer, 55 Shore D

Note:

Screws are not included.

Order No for spare part: Damping unit SD, with screw 2452.10.034.030.2

For the exchange of the damping unit, the screw tightening torque for the holding screw is 10 Nm.

Fixing:

Use socket cap screws DIN EN ISO 4762 M8.

2452.10. Slide stop

Order No	d	d ₂	d ₃	M	a ₁	b ₁	c ₁	c ₂	e ₁	e ₂	l ₂	f	Spring force [N]	Energy absorption per stroke under permanent load [Nm]
2452.10.034	34	30	45	M6	85	70	33	23	65	40	30	7	6,000	27