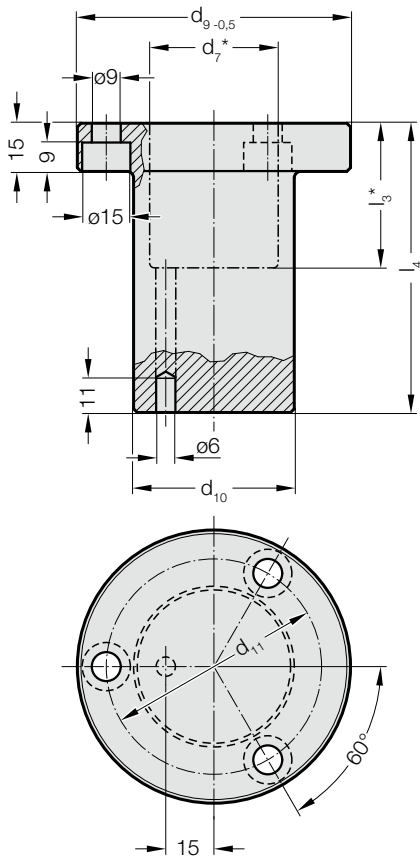


# SLEEVE FOR LIFTING UNIT TO MERCEDES-BENZ

2478.20.20.2.



**Material:**

Steel

**Note:**

The sleeve is supplied without countersink. Integrating countersink  $d_7$  ( $\varnothing 40$ )  $\times$   $l_3$  (\*to be provided by the customer) determines the lifting path. The drain hole is pre-drilled as a blind hole with a  $\varnothing$  of 6 mm and must also be modified.

**2478.20.20.2. Sleeve for lifting unit to Mercedes-Benz**

Order No	Size	$d_9$	$d_{10}$	$d_{11}$	$l_4$
2478.20.20.2.02	2	85	50	67	90
2478.20.20.2.03	3	85	50	67	150